

## 303001\_T\_REDUCED STANDARD SEALS - ISO 228 F



REDUCED THREE-way ball valve 4 seals with "T" port

Drive: ISO 5211 - DIN 3337 flange for actuator

Connection: ISO 228 female/female/female thread

Flow: Reduced

Material: Aisi 316L (1.4404)

Measure: from 1/2" to 2"1/2

Seals: Modified Virgin P.T.F.E.

Operating temperature: -20°C +170°C

Outer finish: Polished

On request:

Antistatic device ATEX:

II 2G Ex h IIC T4 Gb

II 2D Ex h IIIC T135°C Db

M.O.C.A. CE 1935/2004

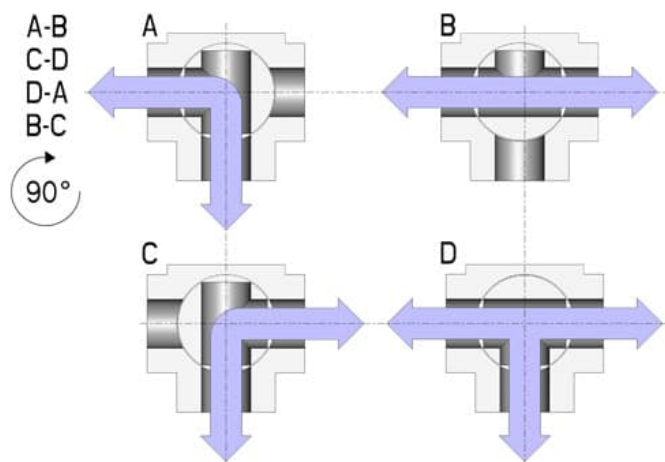
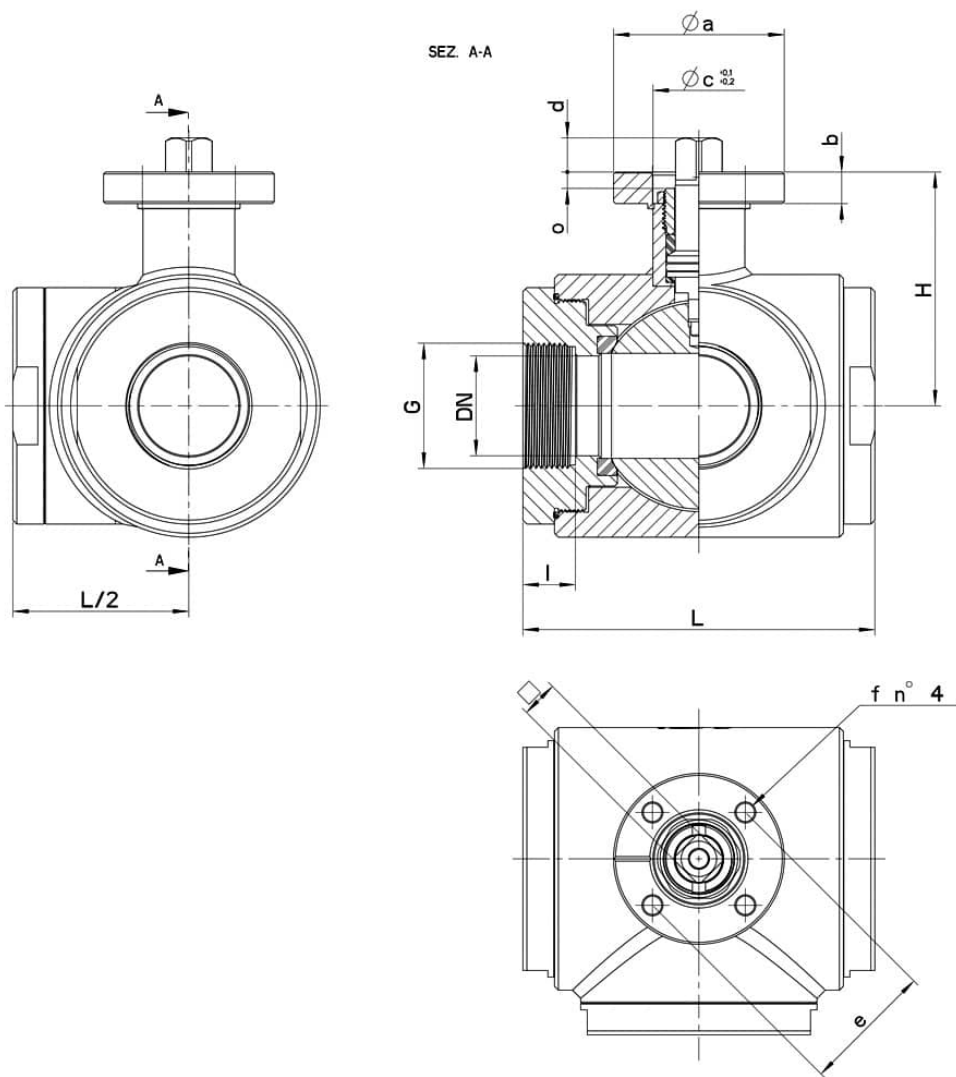
• Seals made of:

PTFE with glass -20°C+170°C

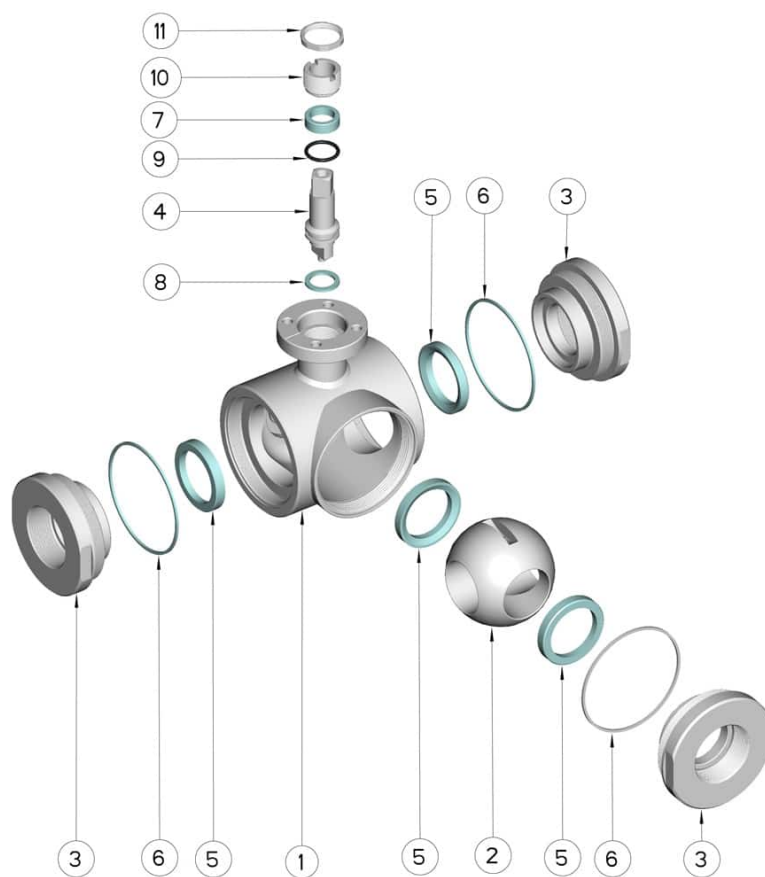
PTFE with carbographite -20°C+180°C

PTFE with inox -20°C+200°C

UHMW High-molecular weight polyethylene -20°C+80°C



G	DN	L	I	H	PN	Kg	ISO-DIN	Ø a	b	Ø c x o	□	d	e	f	n° 4 Bolts	Nm	CODE AISI 316L
1/2"	12	72	16	46,5	100	0,66	F.03	46	9	25x3	9	8	36	6	M5x16	10	303001 61310
1/2"	12	72	16	46,5	100	0,70	F.04	54	9	30x3	11	10	42	6	M5x16	10	303001 6131F
3/4"	15	82	18	49	100	1,00	F.03	46	9	25x3	9	8	36	6	M5x16	12	303001 61810
3/4"	15	82	18	49	100	1,35	F.04	54	9	30x3	11	10	42	6	M5x16	12	303001 6181F
1"	20	92	19	56,5	100	1,93	F.04	54	9	30x3	11	10	42	6	M5x16	23	303001 62410
1"	20	92	19	56,5	100	2,01	F.05	65	9	35x3	14	13	50	7	M6x16	23	303001 6241F
1"1/4	25	102	20	61	64	2,24	F.04	54	9	30x3	11	10	42	6	M5x16	25	303001 62810
1"1/4	25	102	20	61	64	2,40	F.05	65	9	35x3	14	13	50	7	M6x16	25	303001 6281F
1"1/2	32	118	20	81,5	64	4,08	F.05	65	9	35x3	14	13	50	7	M6x16	33	303001 63210
1"1/2	32	118	20	81,5	64	4,50	F.07	90	12	55x4	17	15	70	9	M8x20	33	303001 6321F
2"	40	134	20	89	64	6,44	F.05	65	12	35x4	14	13	50	7	M6x20	40	303001 63610
2"	40	134	20	89	64	6,61	F.07	90	12	55x4	17	15	70	9	M8x20	40	303001 6361F
2"1/2	50	144	20	91	40	7,80	F.07	90	12	55x4	17	15	70	9	M8x20	50	303001 64210
2"1/2	50	144	20	91,5	40	8,38	F.10	120	12	70x4	22	18	102	11	M10x25	50	303001 6421F



POS.	Denomination	PCS	MAT.
1	Body	1	AISI 304L - 316L
2	Ball	1	AISI 304L - 316L
3	Sleeves	3	AISI 304L - 316L
4	Stem	1	AISI 304L - 316L
5	Ball Seals	4	PTFE Vergine Modificato
6	Sleeve Seals	3	PTFE
7	Stem Seal	1	PTFE
8	Stem Seal	1	PTFE
9	Stem or-Seal	1	FKM
10	Register ring	1	AISI 304L (303)
11	Locknut	1	AISI 303

