

## 300155\_T\_STANDARD SEALS - REVOLVING THREADED FLANGES EN 1759-1 CLASS 150



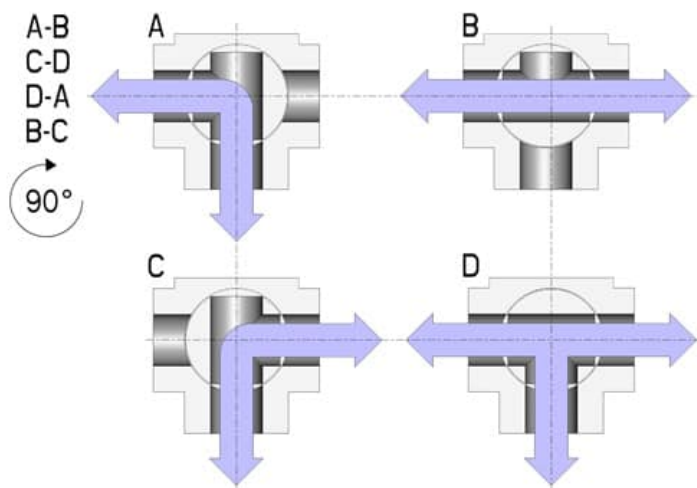
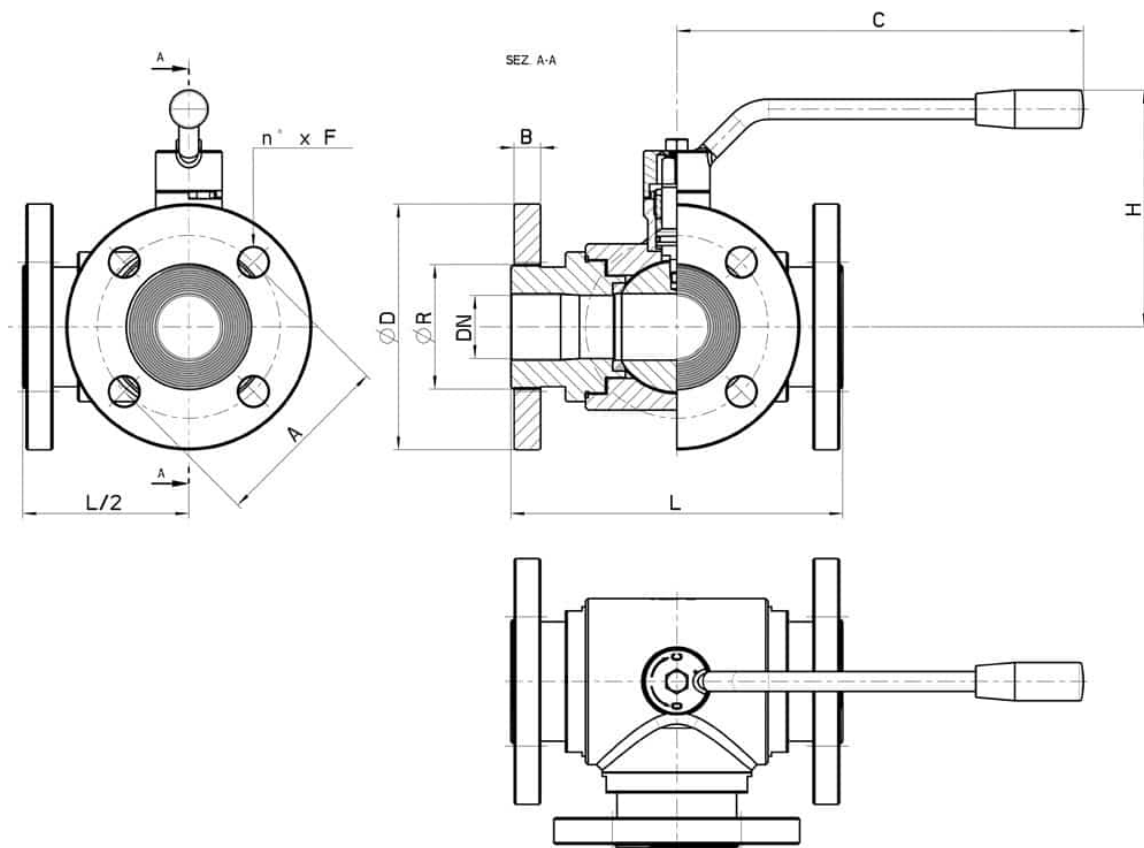
THREE-way ball valve 4 seals with "T" port  
Drive: Inox lever  
Connection: Revolving threaded flanges EN 1759-1 CLASS 150  
Flow: Full  
Material: Aisi 304L (1.4307) - Aisi 316L (1.4404)  
Measure: from 1/2" to 4"  
Seals: Modified Virgin P.T.F.E.  
Operating temperature: -20°C+170°C  
Outer finish: Polished

On request:

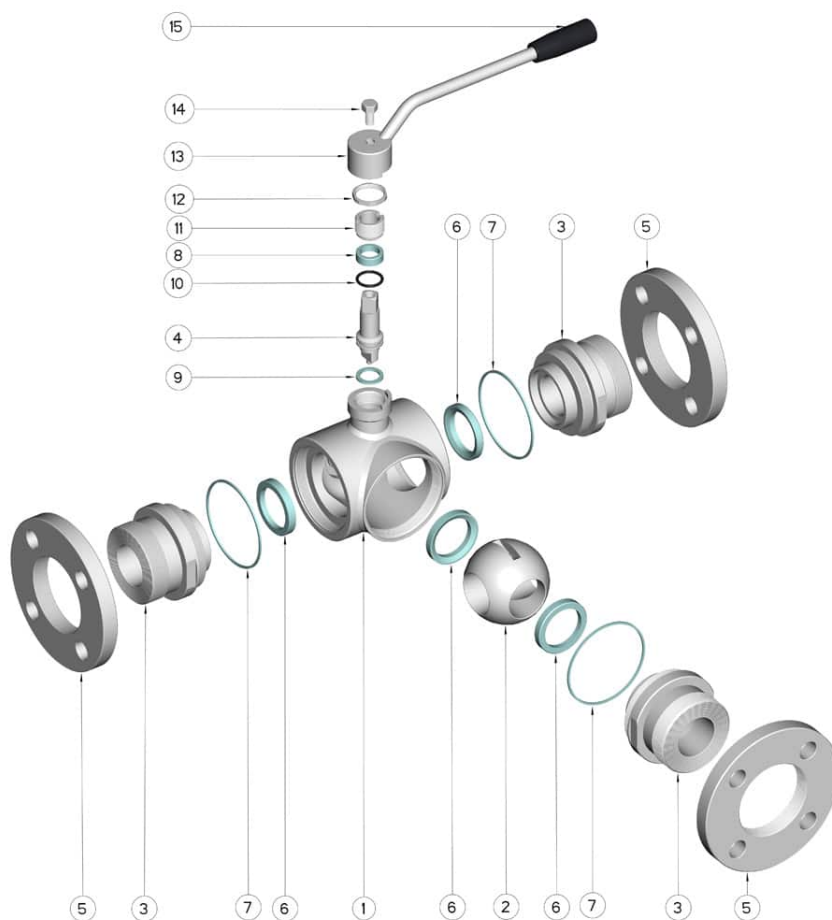
Antistatic device ATEX:  
II 2G Ex h IIC T4 Gb  
II 2D Ex h IIIC T135°C Db  
M.O.C.A. CE 1935/2004

• Seals made of:

PTFE with glass -20°C+170°C  
PTFE with carbographite -20°C+180°C  
PTFE with inox -20°C+200°C  
UHMW High-molecular weight polyethylene -20°C+80°C



CLASS 150	DN	L	C	H	Ø D	B	Ø R	A	n x F	Kg	CODE AISI 304L	CODE AISI 316L
1/2"	15	130	130	90	88,9	9,5	35	60,6	4x16	-	-	300155 61410
3/4"	20	140	170	100	89,4	11,1	42	69,8	4x16	-	-	300155 62010
1"	25	150	170	110	108	12,7	51	79,4	4x16	5,580	-	300155 62610
1"1/4	32	180	240	130	117,5	14,3	63	88,9	4x16	8,840	-	300155 63010
1"1/2	40	200	240	140	127	15,9	75	98,4	4x16	-	-	300155 63410
2"	50	220	260	150	152,4	17,4	89	120,6	4x19	16,780	-	300155 63810
2"1/2	65	240	300	160	178	20,6	110	139,7	4x19	-	-	300155 64410
3"	80	260	330	175	190	22,2	120	152,4	4x19	-	300155 44810	300155 64810
4"	100	300	330	190	229	22,2	140	190,5	8x19	-	300155 45410	300155 65410



POS.	DENOMINATION	PCS	MAT.
1	Body	1	AISI 304L - 316L
2	Ball	1	AISI 304L - 316L
3	Sleeves	3	AISI 304L - 316L
4	Stem	1	AISI 304L - 316L
5	Flanges	3	AISI 304L - 316L
6	Ball Seals	4	PTFE Vergine Modificato
7	Sleeve Seals	3	PTFE
8	Stem Seal	1	PTFE
9	Stem Seal	1	PTFE
10	Stem or-Seal	1	FKM
11	Register ring	1	AISI 304L (303)
12	Nut	1	AISI 304L
13	Washer	1	AISI 304L
14	Lever	1	AISI 304L
15	Handle	1	DUROPLAST (PF)

