

300146_T_4 SEALS STANDARD SEALS - M SMS



THREE-way ball valve 4 seals with "T" port
Drive: Inox lever
Connection: SMS male/male/male
Flow: Full
Material: Aisi 304L (1.4307) - Aisi 316L (1.4404)
Measure: from DN20 to DN100
Seals: Modified Virgin P.T.F.E.
Operating temperature: -20°C+170°C
Outer finish: Polished

On request:

Antistatic device ATEX:

II 2G Ex h IIC T4 Gb

II 2D Ex h IIIC T135°C Db

M.O.C.A. CE 1935/2004

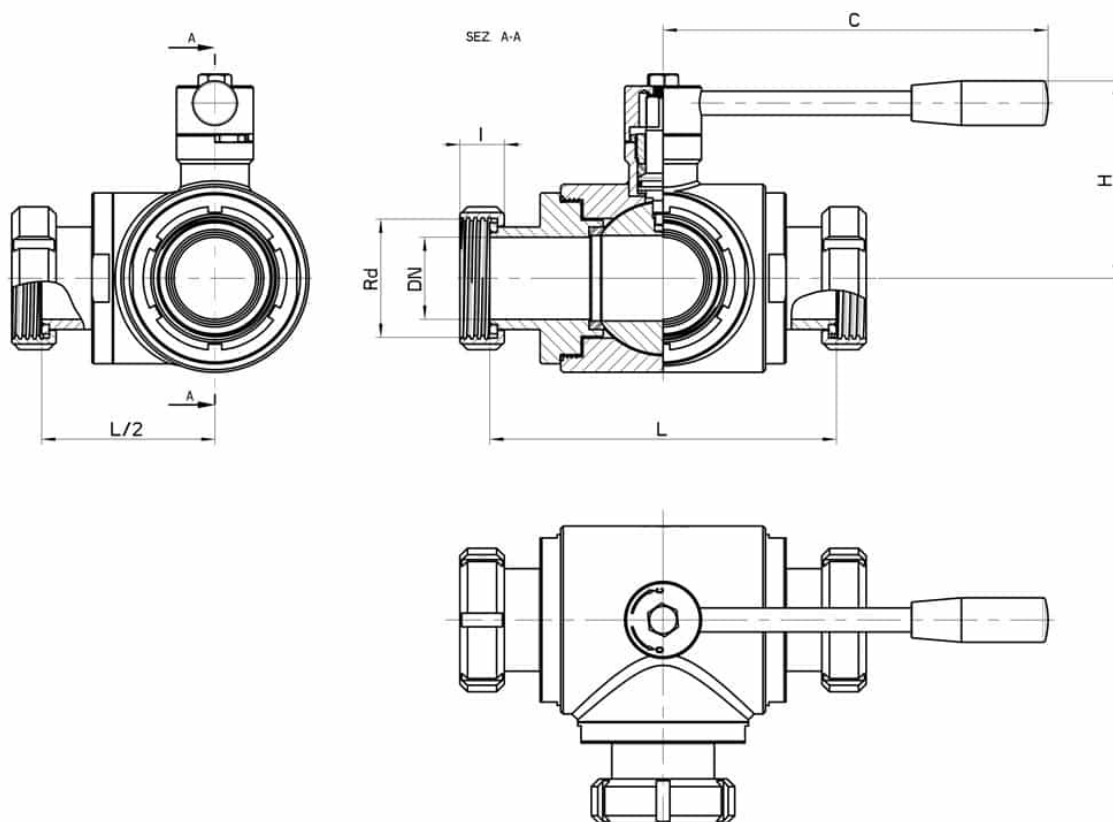
• Seals made of:

PTFE with glass -20°C+170°C

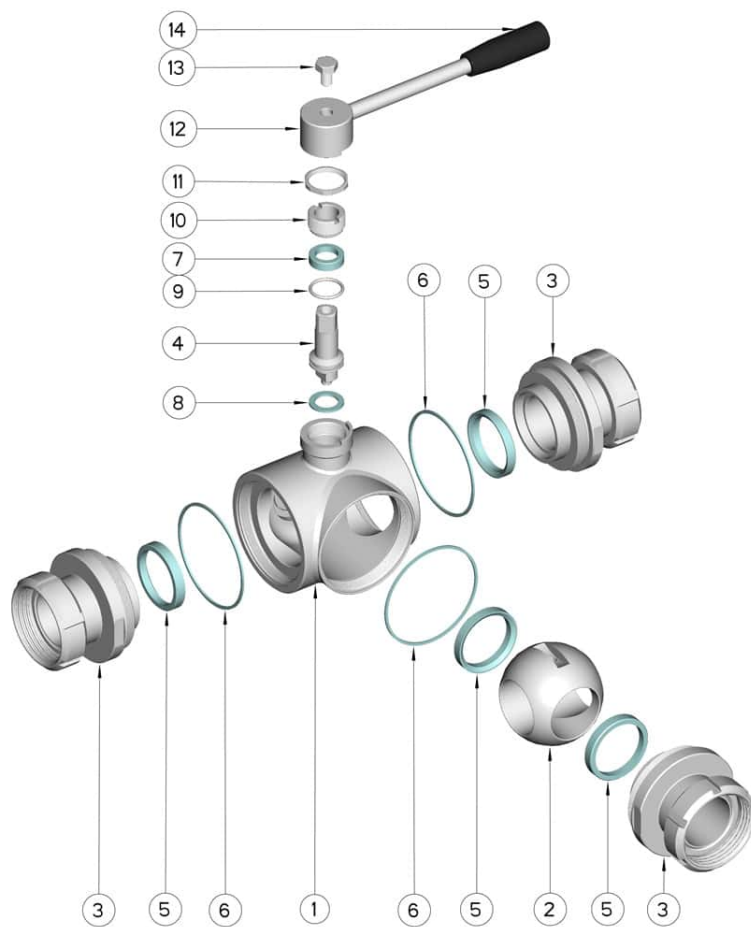
PTFE with carbographite -20°C+180°C

PTFE with inox -20°C+200°C

UHMW High-molecular weight polyethylene -20°C+80°C



SMS	DN	Rd	L	I	C	H	PN	Kg	CODE AISI 304L	CODE AISI 316L
25**	20	40 x 1/6"	144	21	160	70	100	-	-	300146 62010
25	25	40 x 1/6"	158	21	160	80	64	-	-	300146 62610
38	40	60 x 1/6"	190	21	190	110	64	-	-	300146 63410
51	50	70 x 1/6"	202	22	220	120	40	-	-	300146 63810
63	65 *	85 x 1/6"	214	25	285	130	40	-	-	300146 64410
76**	65 *	98 x 1/6"	214	25	285	130	40	-	-	300146 64510
76	80 *	98 x 1/6"	266	30	310	145	40	-	300146 44810	300146 64810
104	100 *	125 x 1/4"	302	31	310	160	16	-	300146 45410	300146 65410
101	100 *	132 x 1/6"	302	31	310	160	16	-	300146 45510	300146 65510



POS.	DENOMINATION	PCS	MAT.
1	Body	1	AISI 304L - 316L
2	Ball	1	AISI 304L - 316L
3	Sleeves	3	AISI 304L - 316L
4	Stem	1	AISI 304L - 316L
5	Ball Seals	4	PTFE Vergine Modificato
6	Sleeve Seals	3	PTFE
7	Stem Seal	1	PTFE
8	Stem Seal	1	PTFE
9	Stem or-Seal	1	FKM
10	Register ring	1	AISI 304L (303)
11	Nut	1	AISI 304L
12	Lever	1	AISI 304L
13	SCREW	1	AISI 304L
14	Handle	1	DUROPLAST (PF)

