

## 300144\_T\_4 SEALS STANDARD SEALS - F SMS



THREE-way ball valve 4 seals with "T" port

Drive: Inox lever

Connection: SMS female/female/female

Flow: Full

Material: Aisi 304L (1.4307) - Aisi 316L (1.4404)

Measure: from DN20 to DN100

Seals: Modified Virgin P.T.F.E.

Operating temperature: -20°C+170°C

Outer finish: Polished

On request:

Antistatic device ATEX:

II 2G Ex h IIC T4 Gb

II 2D Ex h IIIC T135°C Db

M.O.C.A. CE 1935/2004

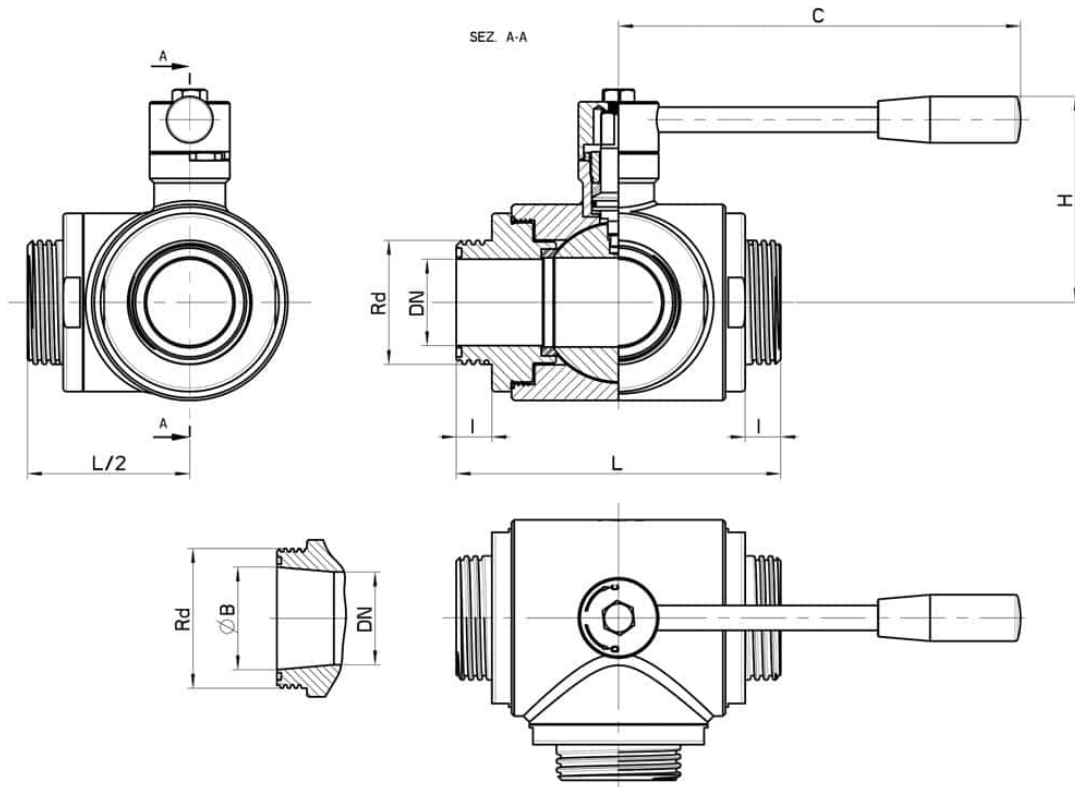
• Seals made of:

PTFE with glass -20°C+170°C

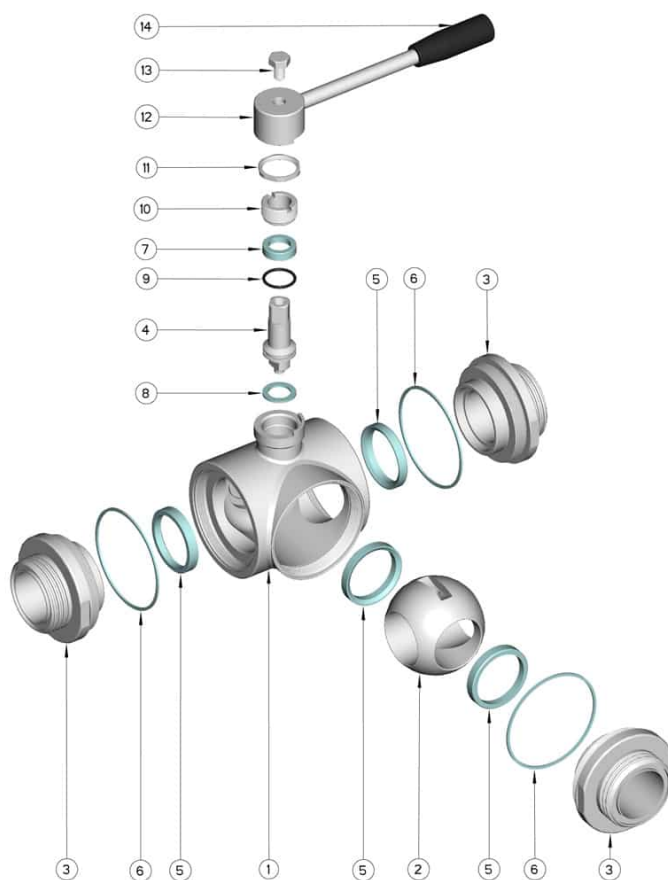
PTFE with carbographite -20°C+180°C

PTFE with inox -20°C+200°C

UHMW High-molecular weight polyethylene -20°C+80°C



SMS	Ø B	DN	Rd	L	I	C	H	PN	Kg	CODE AISI 304L	CODE AISI 316L
25	22,5	(Reduced) 20	40 x 1/6"	130	19	160	70	100	2,27	-	300144 62410
25	22,5	25	40 x 1/6"	140	19	160	80	64	3,10	-	300144 62610
38	35,5	40	60 x 1/6"	172	19	190	110	64	7,42	-	300144 63410
51	48,5	50	70 x 1/6"	182	19	220	120	40	9,01	-	300144 63810
63	60,5	65	85 x 1/6"	196	21	285	130	40	10,95	-	300144 64410
76	72	(Reduced) 65	98 x 1/6"	196	21	285	130	40	10,95	-	300144 64510
76	72	80	98 x 1/6"	256	27	310	145	40	22,40	300144 44810	300144 64810
104	100	100	125 x 1/4"	286	27	310	160	16	35,00	300144 45410	300144 65410
101	98	100	132 x 1/6"	286	27	310	160	16	-	300144 45510	300144 65510



POS.	Denomination	PCS	MAT.
1	Body	1	AISI 304L - 316L
2	Ball	1	AISI 304L - 316L
3	Sleeves	3	AISI 304L - 316L
4	Stem	1	AISI 304L - 316L
5	Ball Seals	4	PTFE Vergine Modificato
6	Sleeve Seals	3	PTFE
7	Stem Seal	1	PTFE
8	Stem Seal	1	PTFE
9	Stem or-Seal	1	FKM
10	Register ring	1	AISI 304L (303)
11	Nut	1	AISI 304L
12	Lever	1	AISI 304L
13	SCREW	1	AISI 304L
14	Handle	1	DUROPLAST (PF)

