

300142_T_STANDARD SEALS_BUTT-WELDING IN ACCORDING TO DIN 11850



THREE-way ball valve 4 seals with "T" port
Drive: Inox lever
Connection: Butt-welding in according to DIN 11850
Flow: Full
Material: Aisi 316L (1.4404)
Measure: DN10 a DN100
Seals: Modified Virgin P.T.F.E.
Operating temperature: -20°C+170°C
Outer finish: Polished

On request:

Antistatic device ATEX:

II 2G Ex h IIC T4 Gb

II 2D Ex h IIIC T135°C Db

M.O.C.A. CE 1935/2004

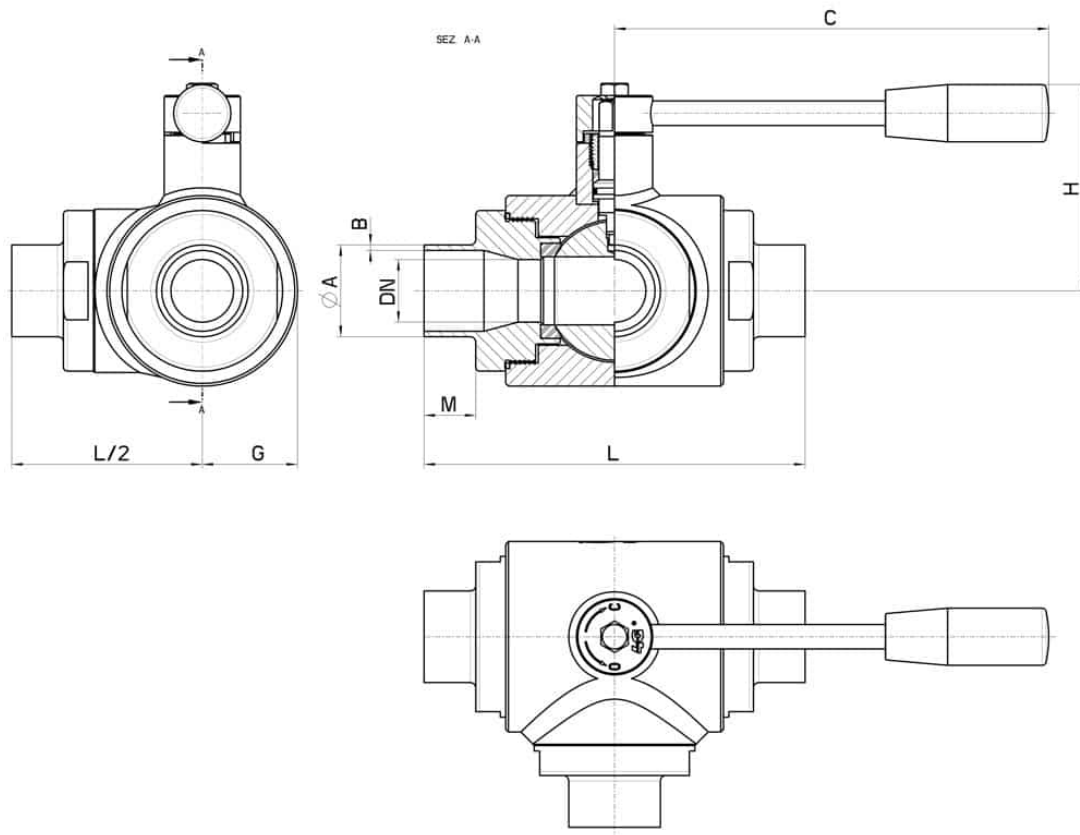
• Seals made of:

PTFE with glass -20°C+170°C

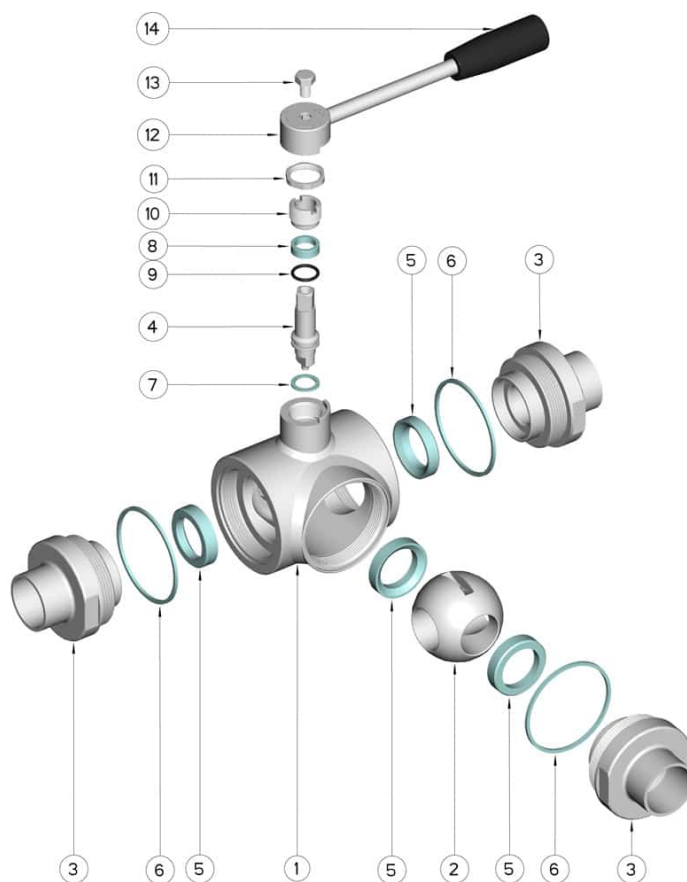
PTFE with carbographite -20°C+180°C

PTFE with inox -20°C+200°C

UHMW High-molecular weight polyethylene -20°C+80°C



DN	ØA x B	M	L	G	C	H	PN	Kg	COD. AISI 316L
10	13 X 1,5	17	108	22.5	110	60	100	-	300142 6B110
15	19 X 1,5	18	118	26	110	65	100	-	300142 6B810
20	23 X 1,5	19	130	30	160	70	100	-	300142 6C510
25	29 X 1,5	19	140	35	160	80	64	2,78	300142 6F510
32	35 X 1,5	19	156	42.5	190	95	64	-	300142 6J510
40	41 X 1,5	19	172	50	190	110	64	-	300142 6K910
50	53 X 1,5	19	182	55	220	120	40	-	300142 6N910
65	70 X 2	21	196	80	285	130	40	-	300142 6S610
80	85 X 2	27	256	100	310	145	40	-	300142 6W410
100	104 X 2	27	286	120	310	160	16	-	300142 6X810



POS.	Denomination	PCS	MAT.
1	Body	1	AISI 316L
2	Ball	1	AISI 316L
3	Sleeves	3	AISI 316L
4	Stem	1	AISI 316L
5	Ball Seals	4	PTFE Vergine Modificato
6	Sleeve Seals	3	PTFE
7	Stem Seal	1	PTFE
8	Stem Seal	1	PTFE
9	Stem or-Seal	1	FKM
10	Register ring	1	AISI 304L (303)
11	Nut	1	AISI 304L
12	Lever	1	AISI 304L
13	SCREW	1	AISI 304L
14	Handle	1	DUROPLAST (PF)

