

## 300142\_T\_STANDARD SEALS\_BUTT-WELDING IN ACCORDING TO BS-OD (ASTM A-270)



THREE-way ball valve 4 seals with "T" port  
Drive: Inox lever  
Connection: Butt-welding in according to BS-OD (ASTM A-270)  
Flow: Full  
Material: Aisi 316L (1.4404)  
Measure: DN10 a DN100  
Seals: Modified Virgin P.T.F.E.  
Operating temperature: -20°C+170°C  
Outer finish: Polished

On request:

Antistatic device ATEX:

II 2G Ex h IIC T4 Gb

II 2D Ex h IIIC T135°C Db

M.O.C.A. CE 1935/2004

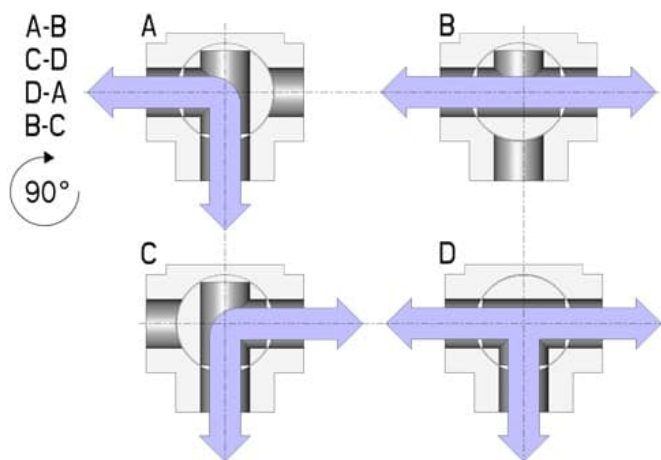
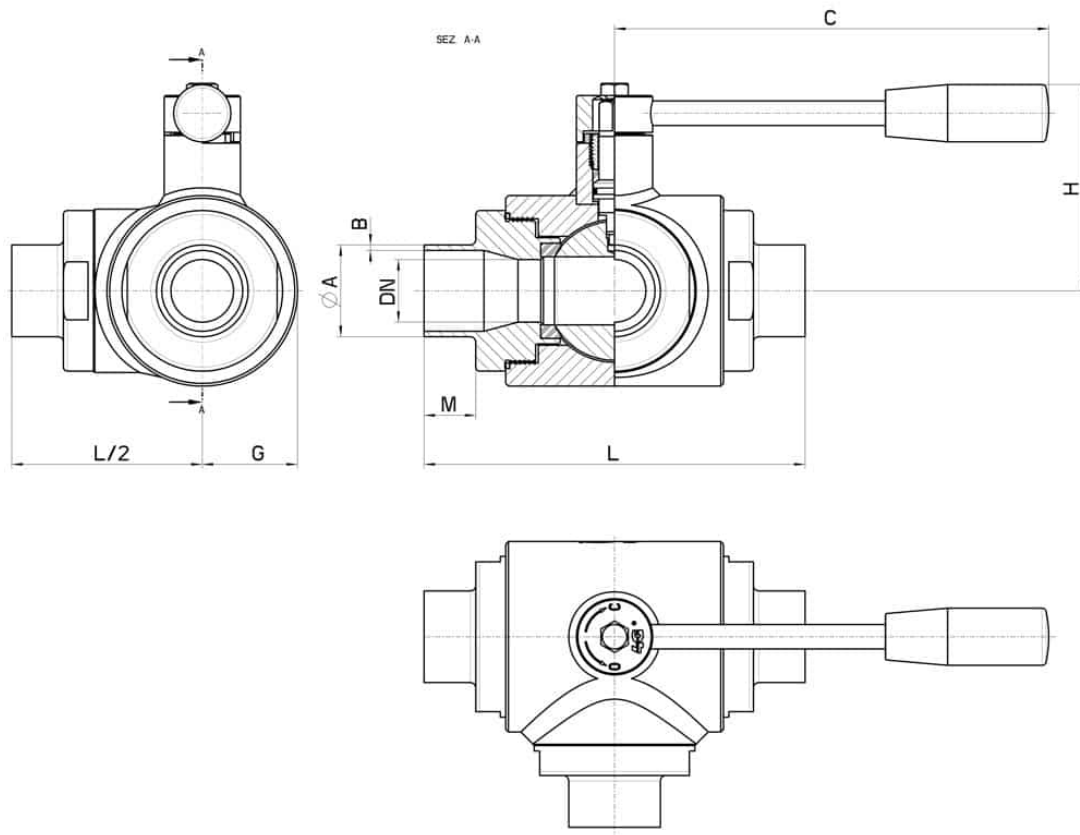
• Seals made of:

PTFE with glass -20°C+170°C

PTFE with carbographite -20°C+180°C

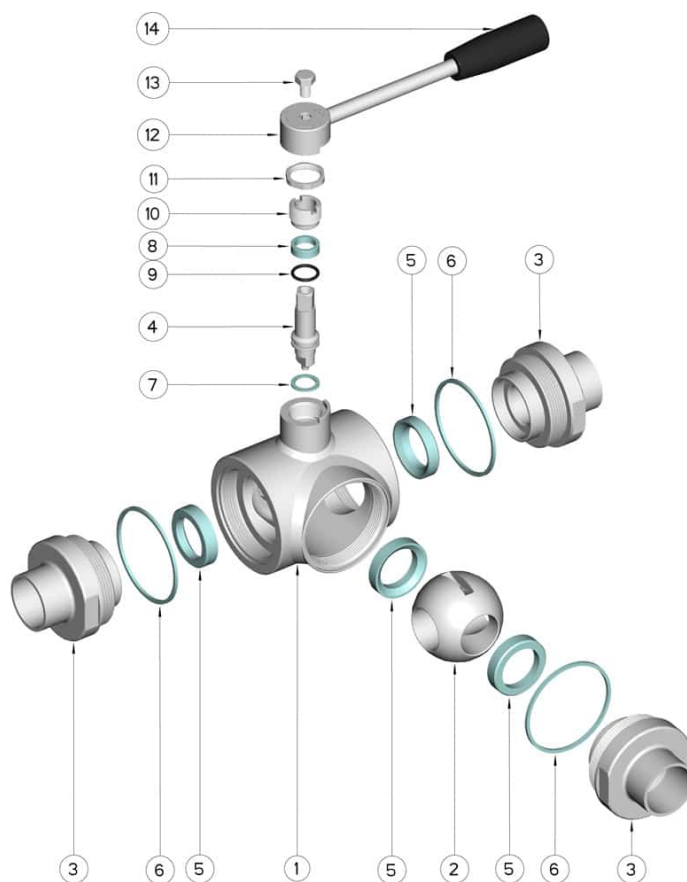
PTFE with inox -20°C+200°C

UHMW High-molecular weight polyethylene -20°C+80°C



---

DN	ØA x B	M	L	G	C	H	PN	Kg	COD. AISI 316L
10	12,7 X 1,65	17	108	22,5	110	60	100	-	300142 6A710
15	19,05 X 1,65	18	118	26	110	65	100	-	300142 6B910
20	25,4 X 1,65	19	130	30	160	70	100	-	300142 6D710
25	25,4 X 1,65	19	140	35	160	80	64	2,78	300142 6D810
32	38,1 X 1,65	19	156	42,5	190	95	64	-	300142 6J910
40	38,1 X 1,65	19	172	50	190	110	64	-	300142 6K110
50	50,8 X 1,65	19	182	55	220	120	40	-	300142 6M810
65	63,5 X 1,65	21	196	80	285	130	40	-	300142 6R710
80	76,1 X 2	27	256	100	310	145	40	-	300142 6U710
100	101,6 X 2,11	27	286	120	310	160	16	-	300142 6X410



POS.	Denomination	PCS	MAT.
1	Body	1	AISI 316L
2	Ball	1	AISI 316L
3	Sleeves	3	AISI 316L
4	Stem	1	AISI 316L
5	Ball Seals	4	PTFE Vergine Modificato
6	Sleeve Seals	3	PTFE
7	Stem Seal	1	PTFE
8	Stem Seal	1	PTFE
9	Stem or-Seal	1	FKM
10	Register ring	1	AISI 304L (303)
11	Nut	1	AISI 304L
12	Lever	1	AISI 304L
13	SCREW	1	AISI 304L
14	Handle	1	DUROPLAST (PF)

