

300131_T_4 SEALS STANDARD SEALS - GAROLLA



THREE-way ball valve 4 seals with "T" port
Drive: Inox lever
Connection: GAROLLA
Flow: Full and reduced
Material: Aisi 304L (1.4307) - Aisi 316L (1.4404)
Measure: from DN32 to DN100
Seals: Modified Virgin P.T.F.E.
Operating temperature: -20°C +170°C
Outer finish: Polished

On request:

Antistatic device ATEX:

II 2G Ex h IIC T4 Gb

II 2D Ex h IIIC T135°C Db

M.O.C.A. CE 1935/2004

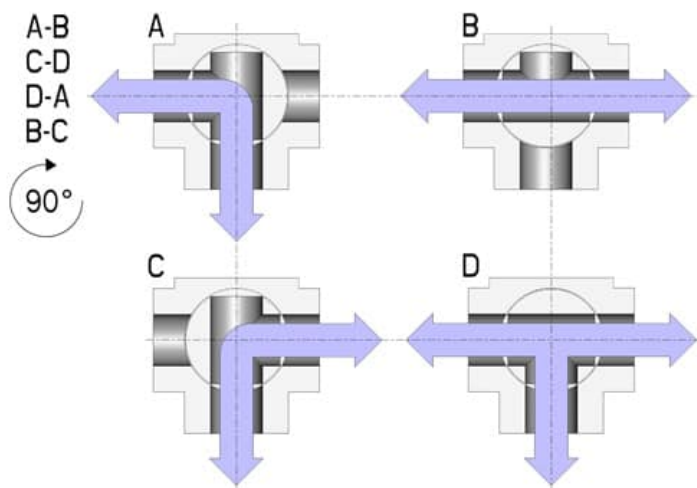
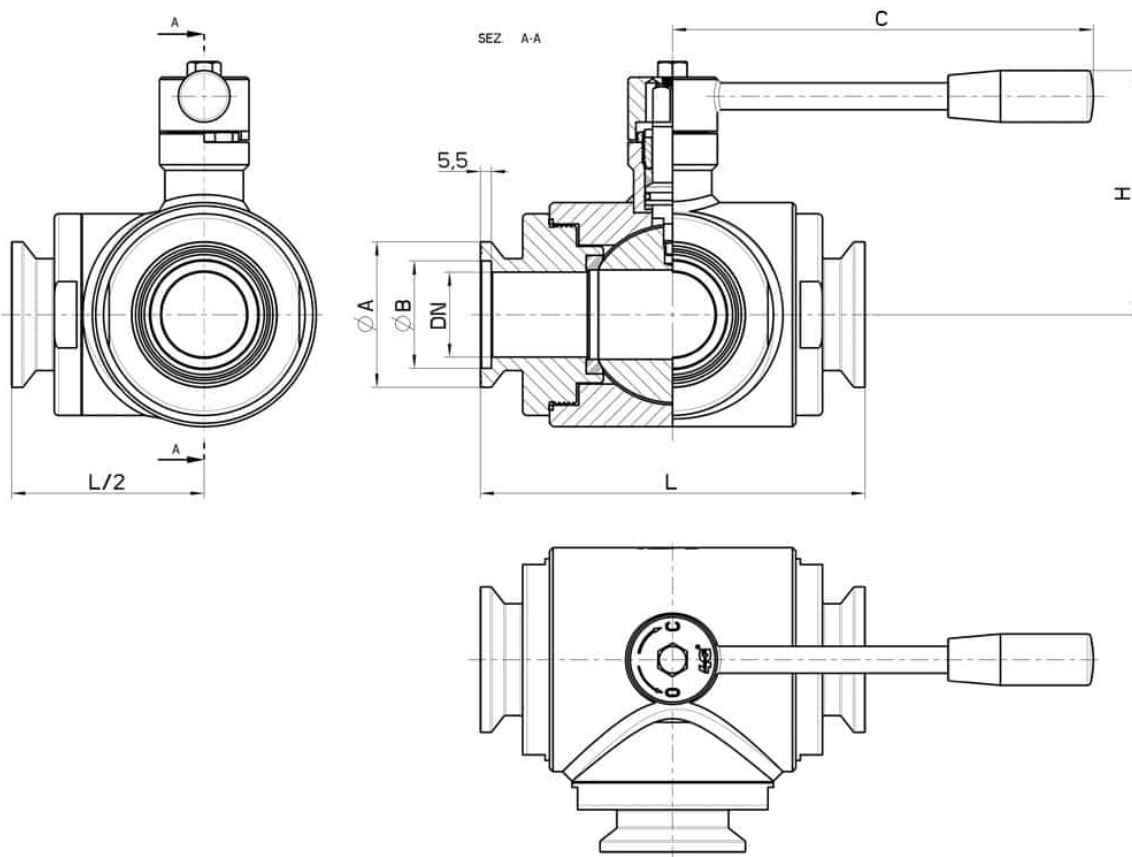
• Seals made of:

PTFE with glass -20°C+170°C

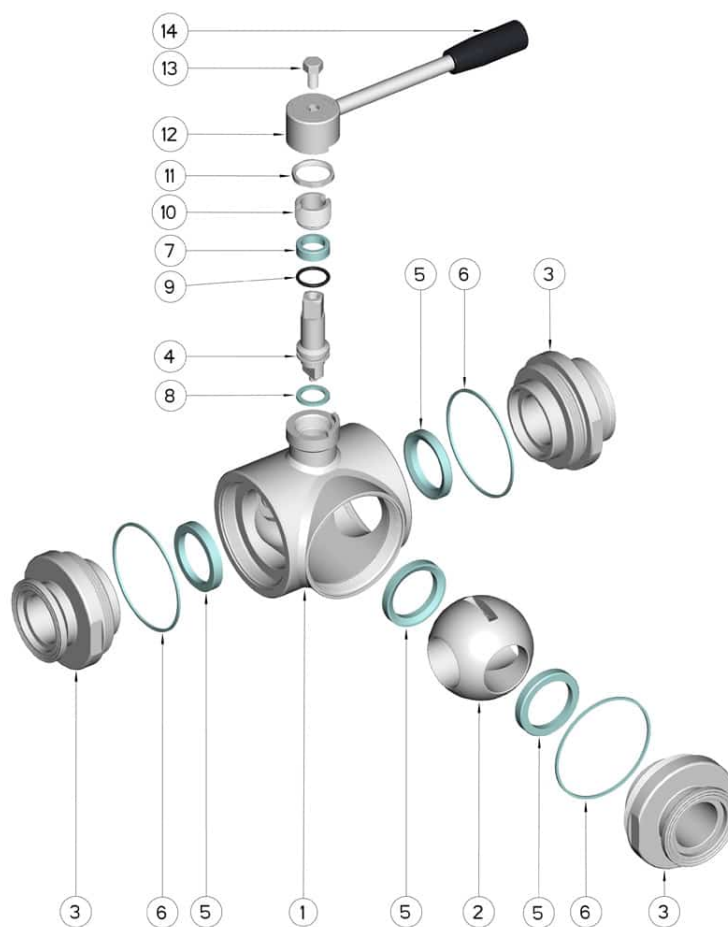
PTFE with carbographite -20°C+180°C

PTFE with inox -30°C+200°C

UHMW High-molecular weight polyethylene -200°C+80°C



GAROLLA	DN	L	Ø A	Ø B	C	H	PN	Kg	CODE AISI 304L	CODE AISI 316L
40	(Reduced) 32	156	65	48	190	95	64	5,80	-	300131 63210
40	40	172	65	48	190	110	64	7,50	-	300131 63410
50	(Reduced) 40	172	75	56	190	110	64	-	-	300131 63610
50	50	182	75	56	220	120	40	8,75	-	300131 63810
60	(Reduced) 50	182	87	66	220	120	40	8,90	-	300131 63910
70	65	196	97	76	285	130	40	11,38	-	300131 64410
80	80	256	109	86	310	145	40	22,64	300131 44810	300131 64810
100	100	286	129	106	310	160	16	35,00	300131 45410	300131 65410
120 *	(Reduced) 100	298	158	129	310	160	16	37,50	300131 45510	300131 65510



POS.	DENOMINATION	PCS	MAT.
1	Body	1	AISI 304L - 316L
2	Ball	1	AISI 304L - 316L
3	Sleeves	3	AISI 304L - 316L
4	Stem	1	AISI 304L - 316L
5	Ball Seals	4	PTFE Vergine Modificato
6	Sleeve Seals	3	PTFE
7	Stem Seal	1	PTFE
8	Stem Seal	1	PTFE
9	Stem or-Seal	1	FKM
10	Register ring	1	AISI 304L (303)
11	Nut	1	AISI 304L
12	Lever	1	AISI 304L
13	SCREW	1	AISI 304L
14	Handle	1	DUROPLAST (PF)

