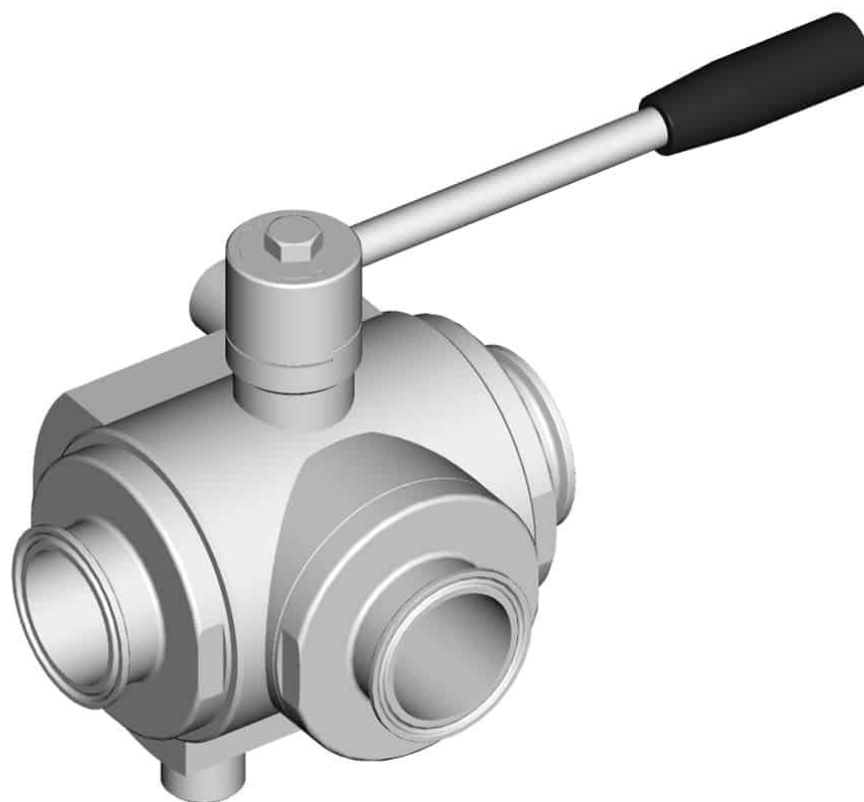


300130C T FOR DIN PIPE - HEATING JACKET



THREE-way ball valve 4 seals with "T" port with HEATING JACKET

Drive: Inox lever

Connection: **CLAMP normative DIN 32676 TAB.2 REIHE A**
For TUBE according to normative DIN 11850

Flow: Full and reduced

Material: Aisi 316L (1.4404)

Measure: from DN10 to DN100

Seals: Modified Virgin P.T.F.E.

Operating temperature: -20°C+170°C

Outer finish: Polished

On request:

Antistatic device ATEX:

II 2G Ex h IIC T4 Gb

II 2D Ex h IIIC T135°C Db

M.O.C.A. CE 1935/2004

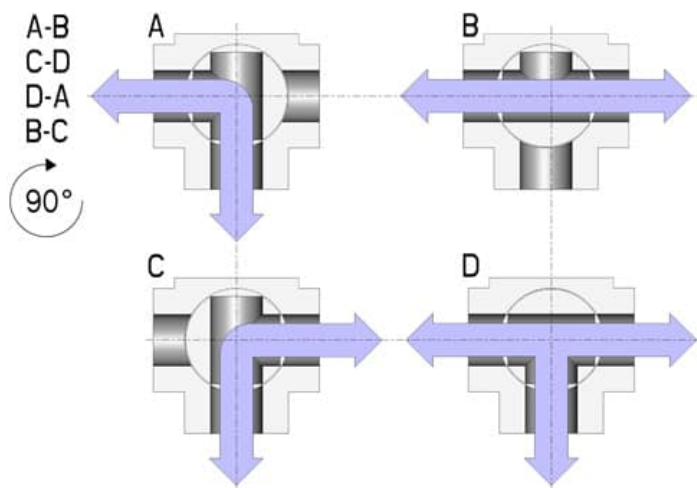
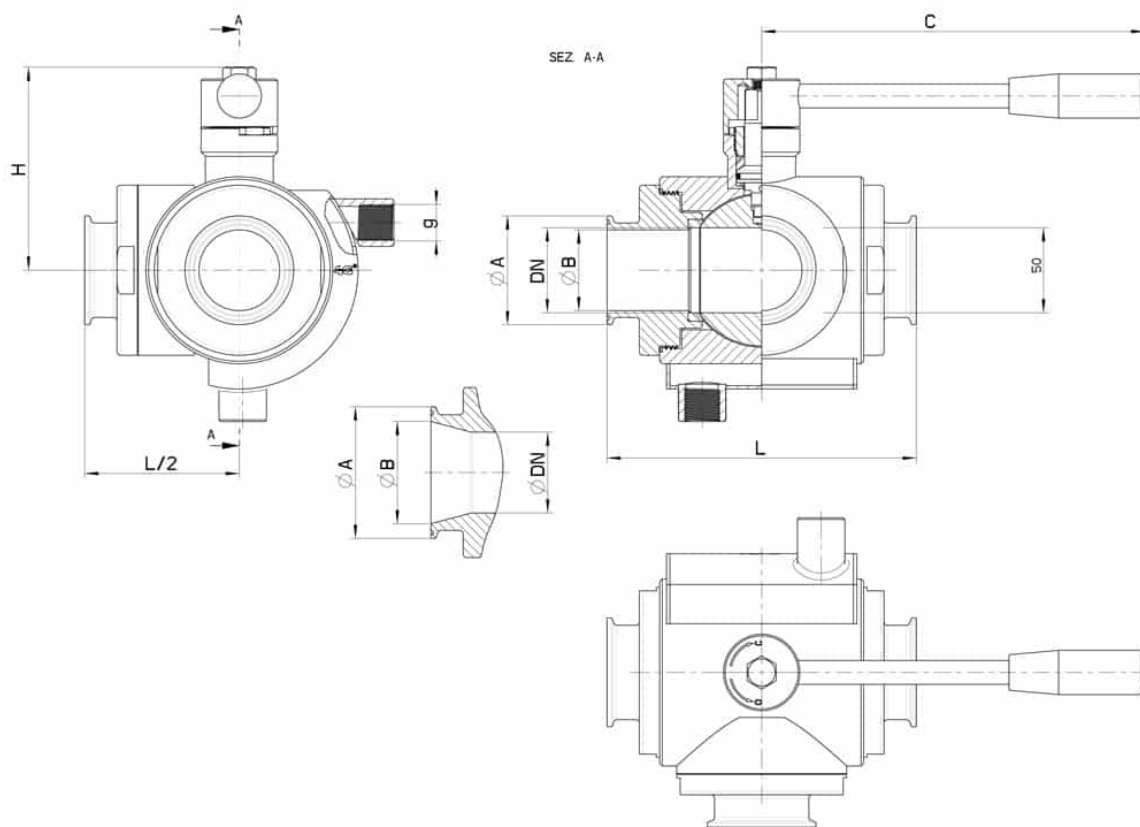
• Seals made of:

PTFE with glass -20°C+170°C

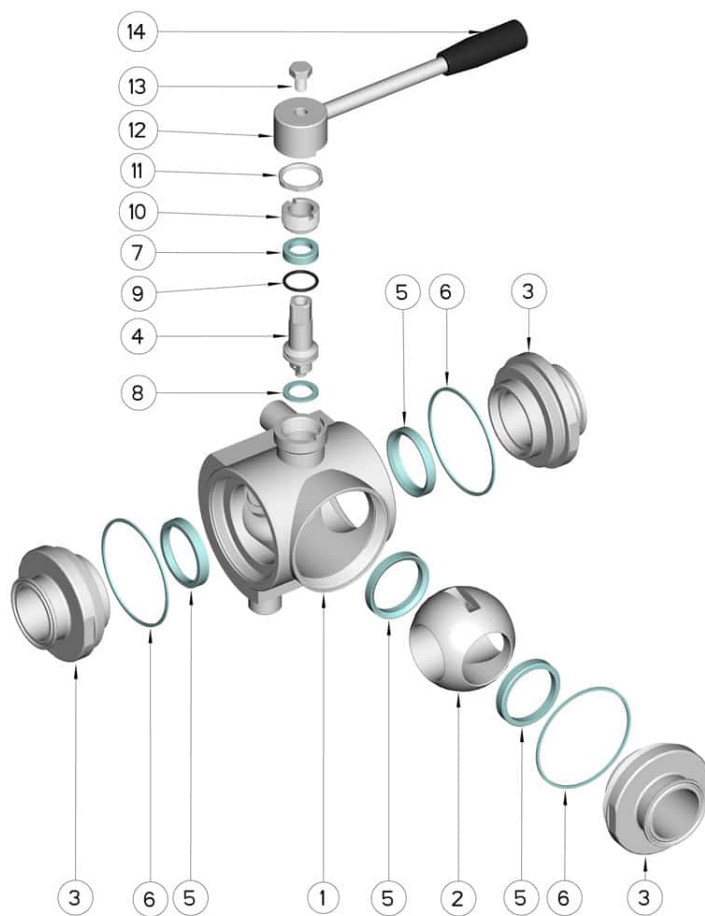
PTFE with carbographite -20°C+180°C

PTFE with inox -20°C+200°C

UHMW High-molecular weight polyethylene -20°C+80°C



CLAMP REIHE A DN	L	Ø A	Ø B	C	H	g	PN	Kg	CODE AISI 316L
10	108	34	10	110	60	3/8"	100	-	300130C61410
15	118	34	16	110	65	3/8"	100	-	300130C61910
20	130	34	20	160	70	3/8"	100	-	300130C62010
25	140	50,5	26	160	80	3/8"	64	-	300130C62810
32	156	50,5	32	190	95	1/2"	64	-	300130C63010
40	172	50,5	38	190	110	1/2"	64	-	300130C63510
50	182	64	50	220	120	1/2"	40	-	300130C64010
65	196	91	66	285	130	1/2"	40	-	300130C64610
80	256	106	81	310	145	1/2"	40	-	300130C64910
100	286	119	100	310	160	1/2"	16	-	300130C65610



POS.	DENOMINATION	PCS	MAT.
1	Body	1	AISI 304L - 316L
2	Ball	1	AISI 304L - 316L
3	Sleeves	3	AISI 304L - 316L
4	Stem	1	AISI 304L - 316L
5	Ball Seals	4	PTFE Vergine Modificato
6	Sleeve Seals	3	PTFE
7	Stem Seal	1	PTFE
8	Stem Seal	1	PTFE
9	Stem or-Seal	1	FKM
10	Register ring	1	AISI 304L (303)
11	Nut	1	AISI 304L
12	Lever	1	AISI 304L
13	SCREW	1	AISI 304L
14	Handle	1	DUROPLAST (PF)

