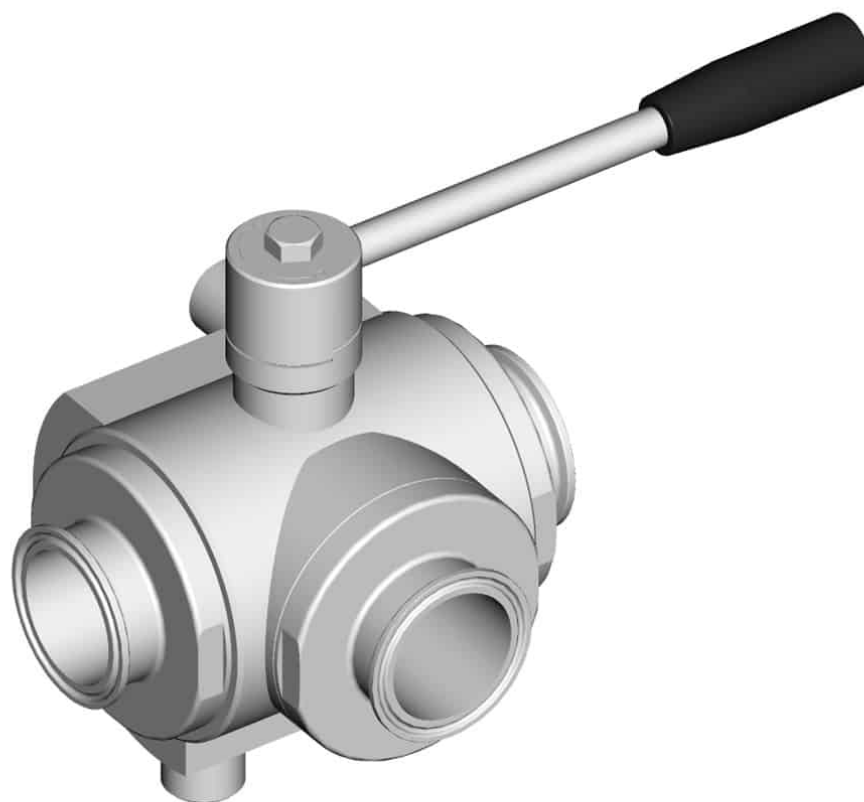


300130C T FOR BS PIPE - HEATING JACKET



THREE-way ball valve 4 seals with "T" port with HEATING JACKET

Drive: Inox lever

Connection: **CLAMP normative DIN 32676 TAB.4 REIHE C**
For TUBE according to normative BS/OD (ASTM A270)

Flow: Full and reduced

Material: Aisi 304L (1.4307) - Aisi 316L (1.4404)

Measure: from 1/2" to 4"

Seals: Modified Virgin P.T.F.E.

Operating temperature: -20°C+170°C

Outer finish: Polished

On request:

Antistatic device ATEX:

II 2G Ex h IIC T4 Gb

II 2D Ex h IIIC T135°C Db

M.O.C.A. CE 1935/2004

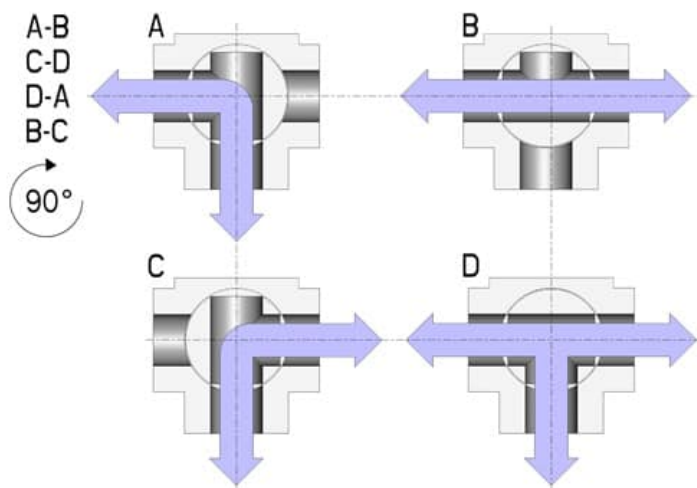
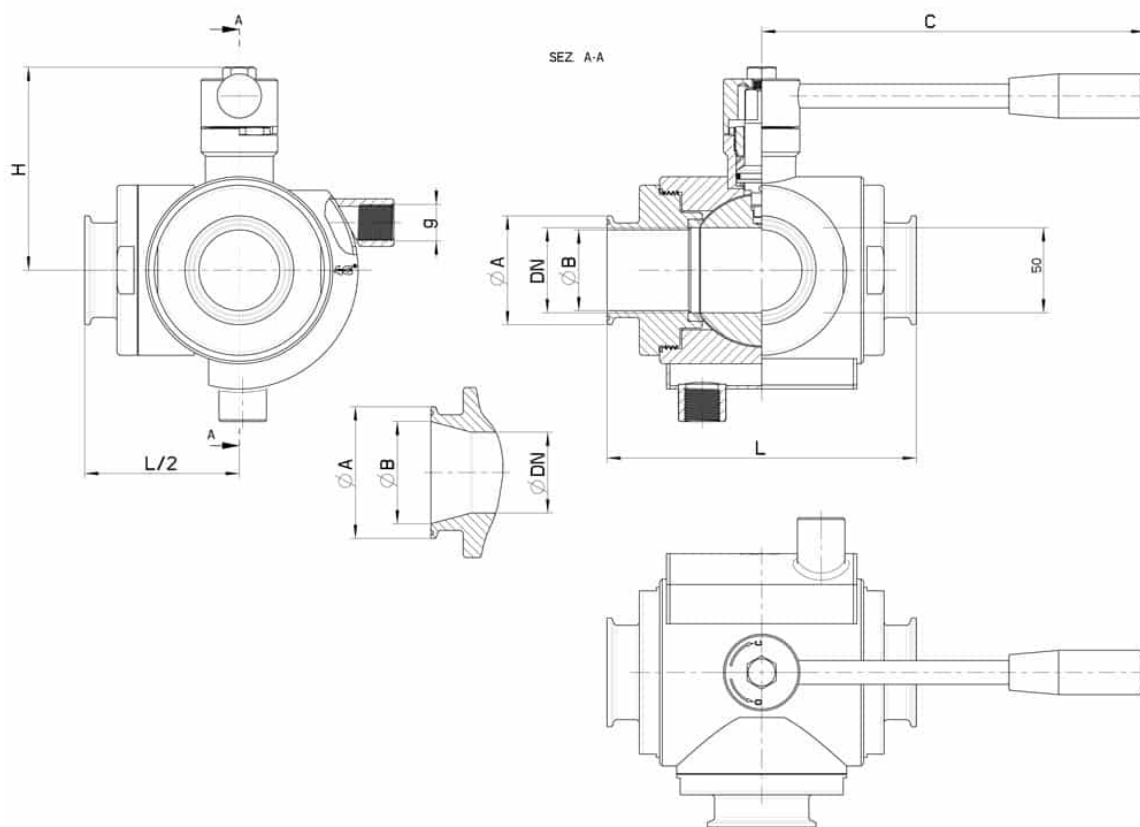
• Seals made of:

PTFE with glass -20°C+170°C

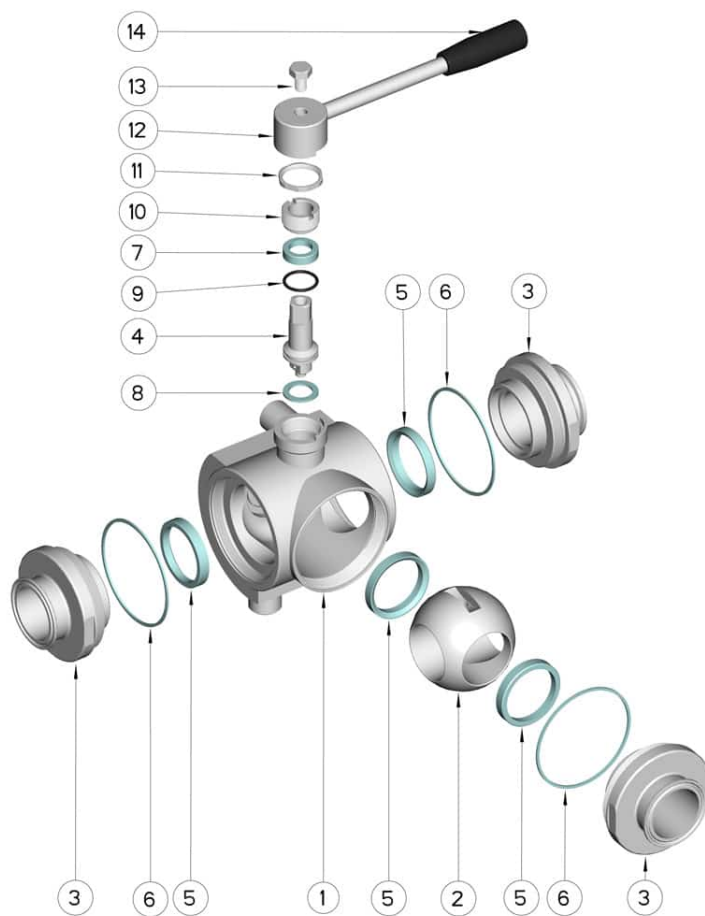
PTFE with carbographite -20°C+180°C

PTFE with inox -20°C+200°C

UHMW High-molecular weight polyethylene -20°C+80°C



CLAMP REIHE C INCH	DN	L	Ø A	Ø B	C	H	g	PN	Kg	CODE AISI 304L	CODE AISI 316L
1/2"	10	108	25	9,7	110	60	3/8"	100	-	-	300130C61210
3/4"	15	118	25	15,75	110	65	3/8"	100	-	-	300130C61810
1"	20	130	50,5	22,2	160	70	3/8"	100	-	-	300130C62410
1"	25	140	50,5	22,2	160	80	3/8"	64	-	-	300130C62610
1"1/2	32	156	50,5	34,8	190	95	1/2"	64	-	-	300130C63210
1"1/2	40	172	50,5	34,8	190	110	1/2"	64	-	-	300130C63410
2"	50	182	64	47,5	220	120	1/2"	40	-	-	300130C63810
2"1/2	65	196	77,5	60,2	285	130	1/2"	40	-	-	300130C64410
3"	80	256	91	72,6	310	145	1/2"	40	-	300130C44810	300130C64810
4"	100	286	119	97,6	310	160	1/2"	16	-	300130C45410	300130C65410



POS.	DENOMINATION	PCS	MAT.
1	Body	1	AISI 304L - 316L
2	Ball	1	AISI 304L - 316L
3	Sleeves	3	AISI 304L - 316L
4	Stem	1	AISI 304L - 316L
5	Ball Seals	4	PTFE Vergine Modificato
6	Sleeve Seals	3	PTFE
7	Stem Seal	1	PTFE
8	Stem Seal	1	PTFE
9	Stem or-Seal	1	FKM
10	Register ring	1	AISI 304L (303)
11	Nut	1	AISI 304L
12	Lever	1	AISI 304L
13	SCREW	1	AISI 304L
14	Handle	1	DUROPLAST (PF)

