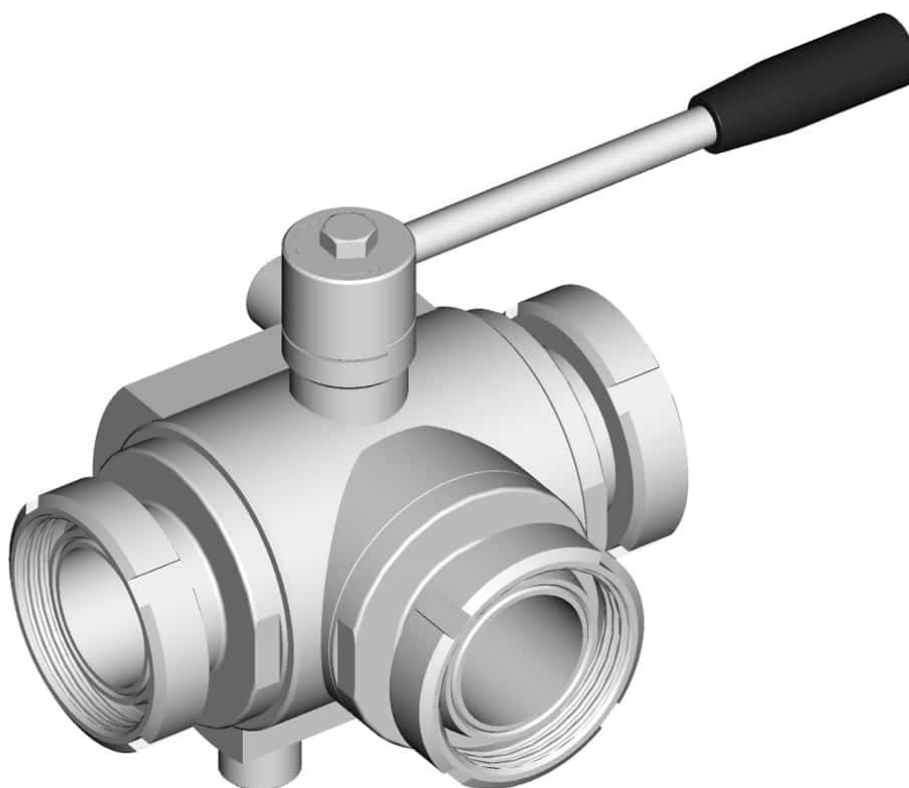


300127C_T_4 SEALS STANDARD SEALS - M DIN 11851 - HEATING JACKET



THREE-way ball valve 4 seals with "T" port with HEATING JACKET

Drive: Inox lever

Connection: DIN 11851 male/male/male

Flow: Full

Material: Aisi 304L (1.4307) - Aisi 316L (1.4404)

Measure: from DN10 to DN100

Seals: Modified Virgin P.T.F.E.

Operating temperature: -20°C+170°C

Outer finish: Polished

On request:

Antistatic device ATEX:

II 2G Ex h IIC T4 Gb

II 2D Ex h IIIC T135°C Db

M.O.C.A. CE 1935/2004

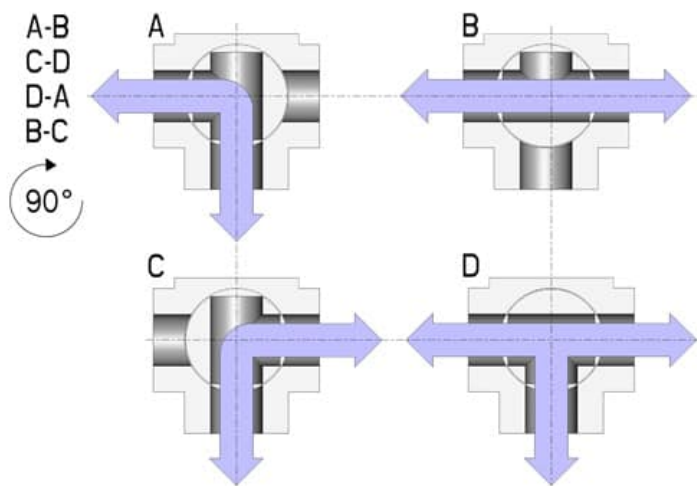
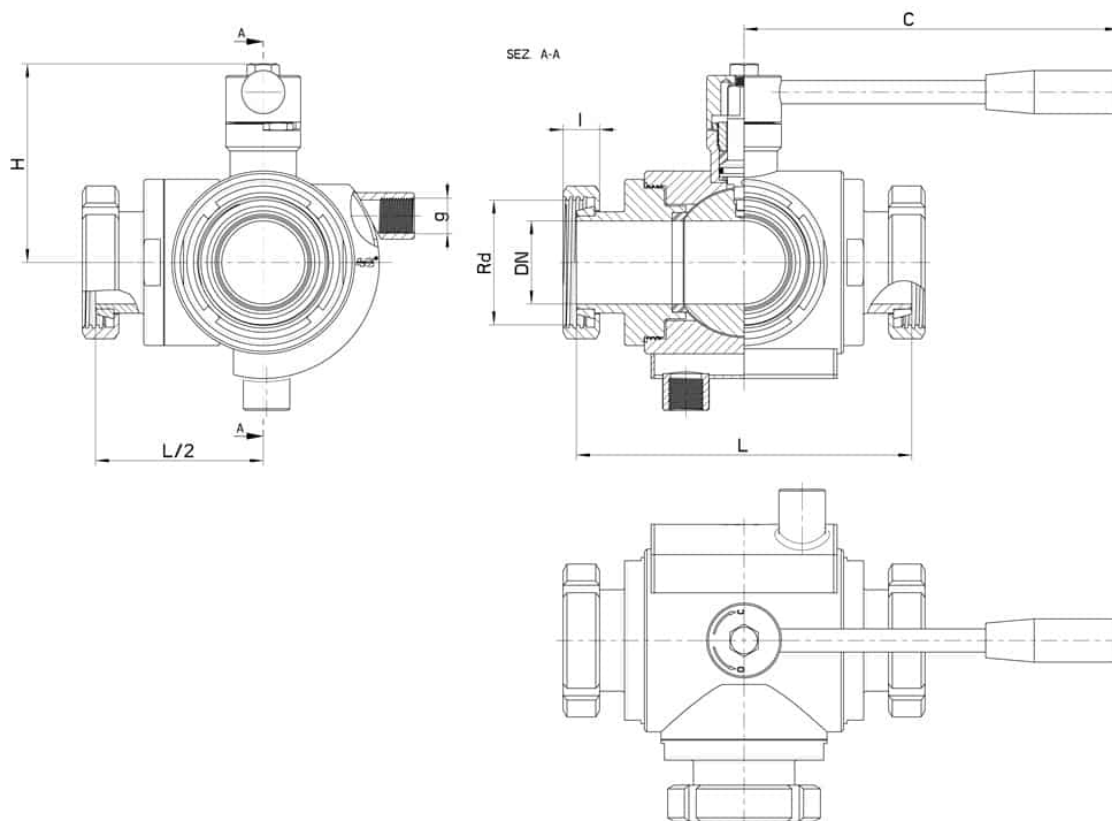
• Seals made of:

PTFE with glass -20°C+170°C

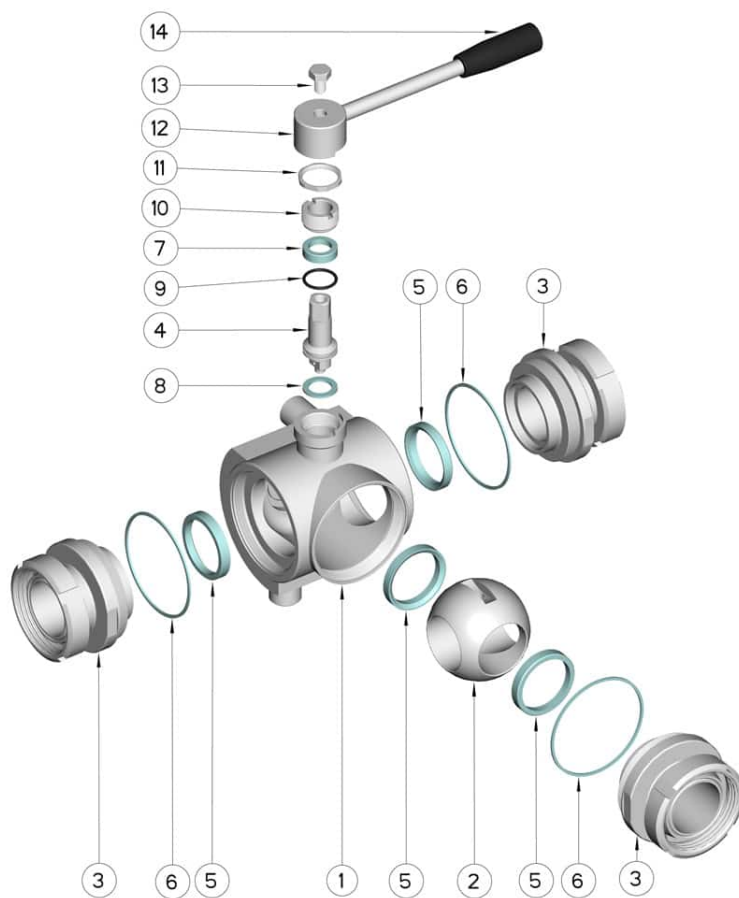
PTFE with carbographite -20°C+180°C

PTFE with inox -20°C+200°C

UHMW High-molecular weight polyethylene -20°C+80°C



DN	Rd	L	I	C	H	g	PN	Kg	CODE AISI 304L	CODE AISI 316L
10	28 x 1/8"	116	18	110	60	3/8"	100	-	-	300127C60810
15	34 x 1/8"	126	18	110	65	3/8"	100	-	-	300127C61410
20	44 x 1/6"	144	21	160	70	3/8"	100	-	-	300127C62010
25	52 x 1/6"	158	21	160	80	3/8"	64	-	-	300127C62610
32	58 x 1/6"	174	21	190	95	1/2"	64	-	-	300127C63010
40	65 x 1/6"	190	21	190	110	1/2"	64	-	-	300127C63410
50	78 x 1/6"	202	22	220	120	1/2"	40	-	-	300127C63810
65	95 x 1/6"	214	25	285	130	1/2"	40	-	-	300127C64410
80	110 x 1/4"	266	30	310	145	1/2"	40	-	300127C44810	300127C64810
100	130 x 1/4"	302	31	310	160	1/2"	16	-	300127C45410	300127C65410



POS.	DENOMINATION	PCS	MAT.
1	Body	1	AISI 304L - 316L
2	Ball	1	AISI 304L - 316L
3	Sleeves	3	AISI 304L - 316L
4	Stem	1	AISI 304L - 316L
5	Ball Seals	4	PTFE Vergine Modificato
6	Sleeve Seals	3	PTFE
7	Stem Seal	1	PTFE
8	Stem Seal	1	PTFE
9	Stem or-Seal	1	FKM
10	Register ring	1	AISI 304L (303)
11	Nut	1	AISI 304L
12	Lever	1	AISI 304L
13	SCREW	1	AISI 304L
14	Handle	1	DUROPLAST (PF)

