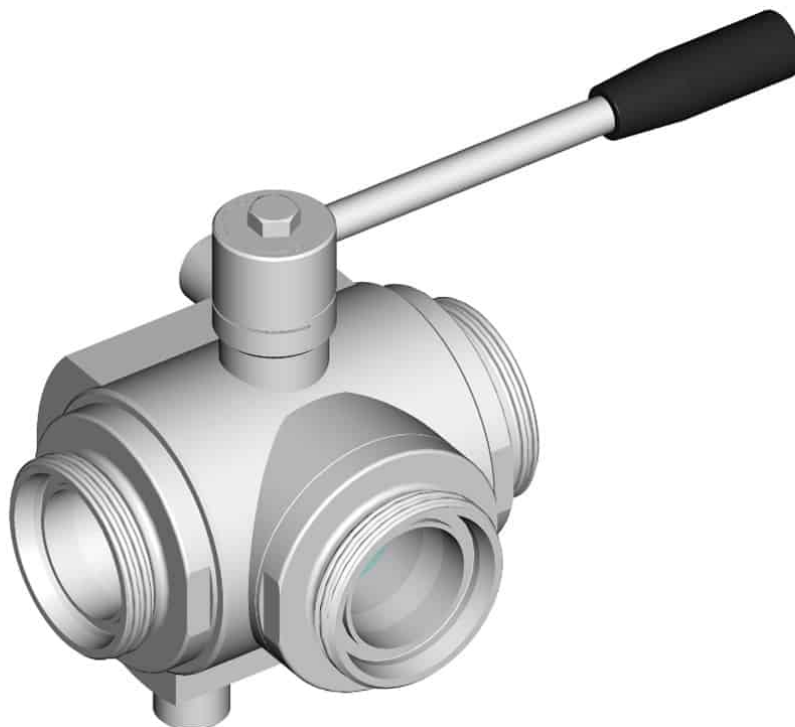


300125C_T_4 SEALS STANDARD SEALS - F DIN 11851 - HEATING JACKET



THREE-way ball valve 4 seals with "T" port with HEATING JACKET

Drive: Inox lever

Connection: DIN 11851 female/female/female

Flow: Full

Material: Aisi 304L (1.4307) - Aisi 316L (1.4404)

Measure: from DN10 to DN100

Seals: Modified Virgin P.T.F.E.

Operating temperature: -20°C+170°C

Outer finish: Polished

On request:

Antistatic device ATEX:

II 2G Ex h IIC T4 Gb

II 2D Ex h IIIC T135°C Db

M.O.C.A. CE 1935/2004

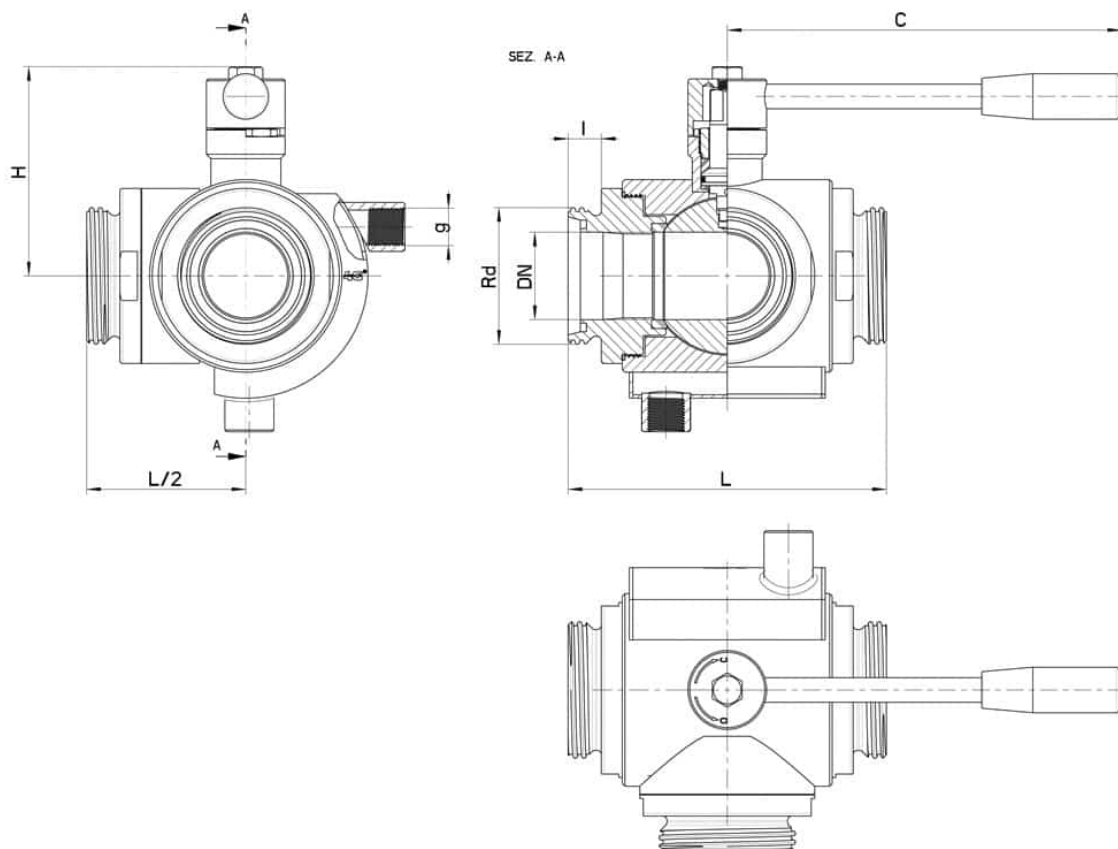
• Seals made of:

PTFE with glass -20°C+170°C

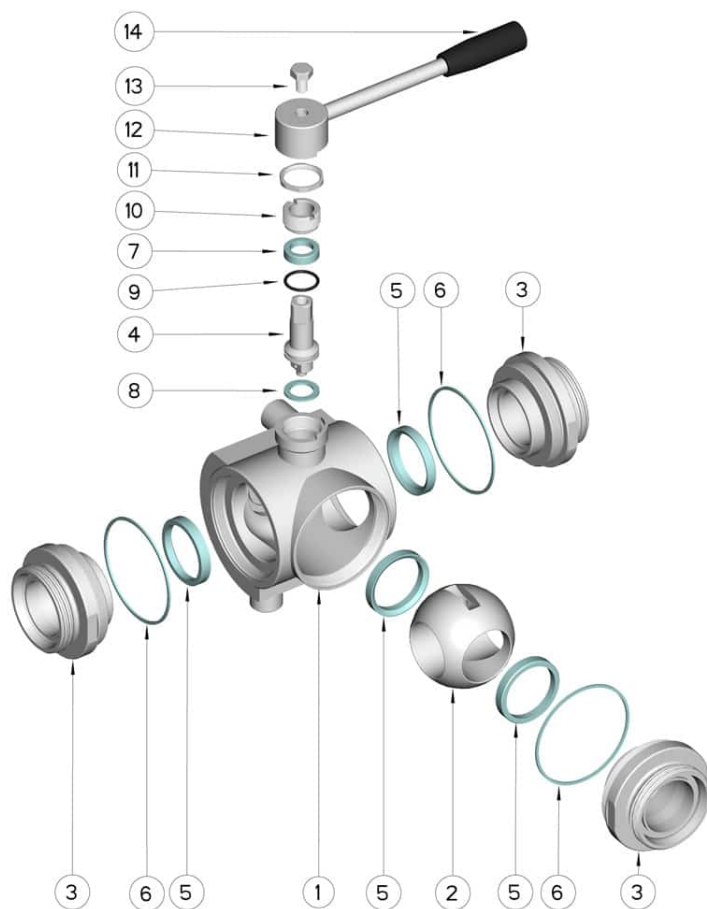
PTFE with carbographite -20°C+180°C

PTFE with inox -20°C+200°C

UHMW High-molecular weight polyethylene -20°C+80°C



DIN	DN	Rd	L	I	C	H	g	PN	Kg	CODE AISI 304L	CODE AISI 316L
10	10	28 x 1/8"	108	12	110	60	3/8"	100	-	-	300125C60810
15	15	34 x 1/8"	118	12	110	65	3/8"	100	-	-	300125C61410
20	20	44 x 1/6"	130	14	160	70	3/8"	100	-	-	300125C62010
25	25	52 x 1/6"	140	14	160	80	3/8"	64	-	-	300125C62610
32	32	58 x 1/6"	156	14	190	95	1/2"	64	-	-	300125C63010
40	40	65 x 1/6"	172	14	190	110	1/2"	64	-	-	300125C63410
50	50	78 x 1/6"	182	14	220	120	1/2"	40	9,75	-	300125C63810
65	65	95 x 1/6"	196	16	285	130	1/2"	40	11,72	-	300125C64410
80	80	110 x 1/4"	256	20	310	145	1/2"	40	23,50	300125C44810	300125C64810
100	100	130 x 1/4"	286	20	310	160	1/2"	16	-	300125C45410	300125C65410
125	(Reduced) 100	160 x 1/4"	286	25	310	160	1/2"	16	-	300125C45510	300125C65510



POS.	DENOMINATION	PCS	MAT.
1	Body	1	AISI 304L - 316L
2	Ball	1	AISI 304L - 316L
3	Sleeves	3	AISI 304L - 316L
4	Stem	1	AISI 304L - 316L
5	Ball Seals	4	PTFE Vergine Modificato
6	Sleeve Seals	3	PTFE
7	Stem Seal	1	PTFE
8	Stem Seal	1	PTFE
9	Stem or-Seal	1	FKM
10	Register ring	1	AISI 304L (303)
11	Nut	1	AISI 304L
12	Washer	1	AISI 304L
13	Lever	1	AISI 304L
14	Handle	1	DUROPLAST (PF)

