

## 300125\_T\_4 SEALS STANDARD SEALS - F DIN 11851



THREE-way ball valve 4 seals with "T" port  
Drive: Inox lever  
Connection: DIN 11851 female/female/female  
Flow: Full  
Material: Aisi 304L (1.4307) - Aisi 316L (1.4404)  
Measure: from DN10 to DN100  
Seals: Modified Virgin P.T.F.E.  
Operating temperature: -20°C+170°C  
Outer finish: Polished

On request:

Antistatic device ATEX:

II 2G Ex h IIC T4 Gb

II 2D Ex h IIIC T135°C Db

M.O.C.A. CE 1935/2004

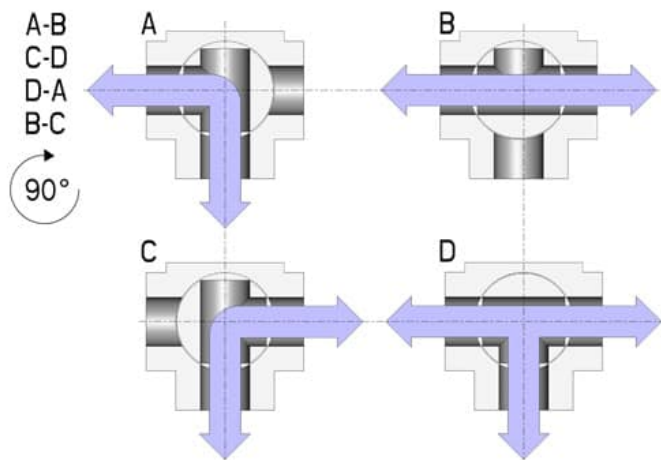
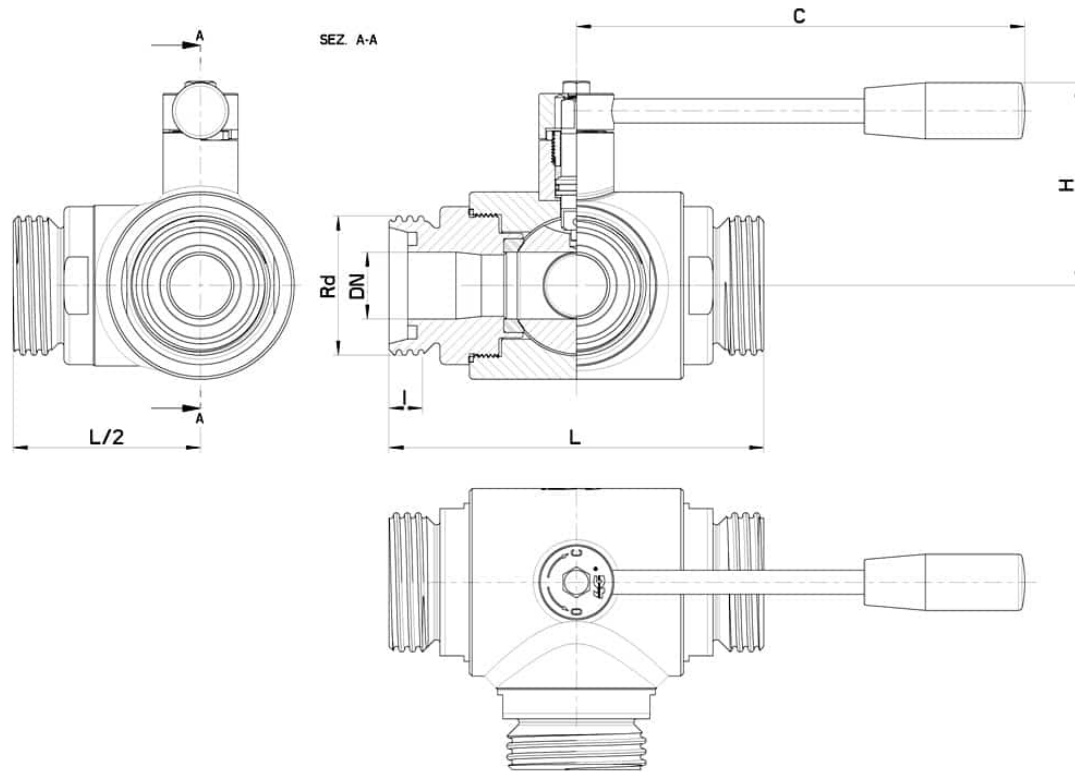
• Seals made of:

PTFE with glass -20°C+170°C

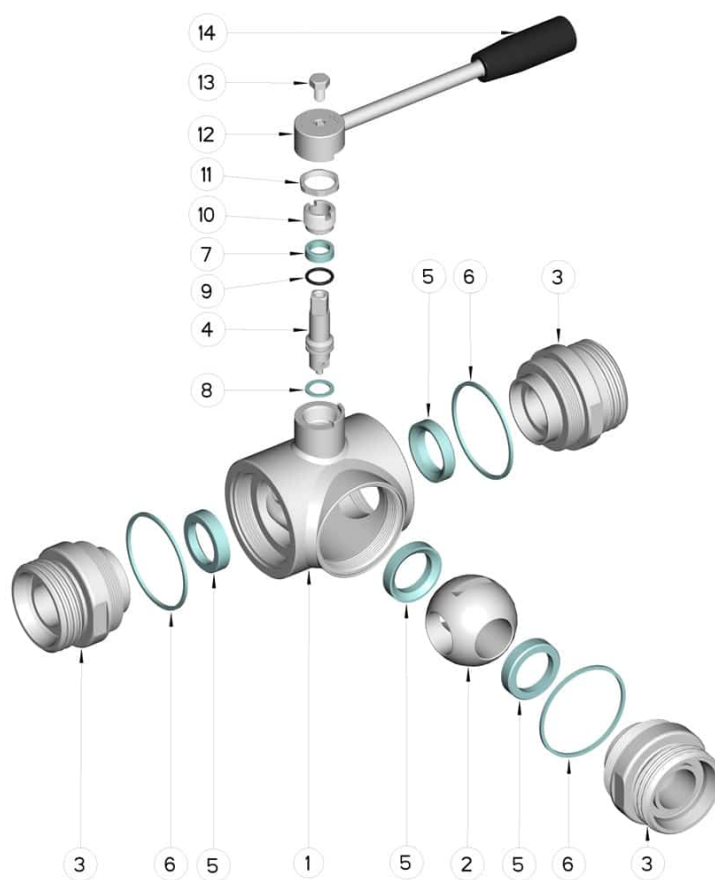
PTFE with carbographite -20°C+180°C

PTFE with inox -20°C+200°C

UHMW High-molecular weight polyethylene -20°C+80°C



DIN	DN	Rd	L	I	C	H	PN	Kg	CODE AISI 304L	CODE AISI 316L
10	10	28 x 1/8"	108	12	110	60	100	1,08	-	300125 60810
15	15	34 x 1/8"	118	12	110	65	100	1,44	-	300125 61410
20	20	44 x 1/6"	130	14	160	70	100	2,27	-	300125 62010
25	25	52 x 1/6"	140	14	160	80	64	3,10	-	300125 62610
32	32	58 x 1/6"	156	14	190	95	64	5,07	-	300125 63010
40	40	65 x 1/6"	172	14	190	110	64	7,42	-	300125 63410
50	50	78 x 1/6"	182	14	220	120	40	9,01	-	300125 63810
65	65	95 x 1/6"	196	16	285	130	40	10,95	-	300125 64410
80	80	110 x 1/4"	256	20	310	145	40	22,40	300125 44810	300125 64810
100	100	130 x 1/4"	286	20	310	160	16	35,00	300125 45410	300125 65410
125	(Reduced) 100	160 x 1/4"	286	25	310	160	16	-	300125 45510	300125 65510



POS.	Denomination	PCS	MAT.
1	Body	1	AISI 304L - 316L
2	Ball	1	AISI 304L - 316L
3	Sleeves	3	AISI 304L - 316L
4	Stem	1	AISI 304L - 316L
5	Ball Seals	4	PTFE Vergine Modificato
6	Sleeve Seals	3	PTFE
7	Stem Seal	1	PTFE
8	Stem Seal	1	PTFE
9	Stem or-Seal	1	FKM
10	Register ring	1	AISI 304L (303)
11	Nut	1	AISI 304L
12	Washer	1	AISI 304L
13	Lever	1	AISI 304L
14	Handle	1	DUROPLAST (PF)

