

## 300101\_T\_REDUCED STANDARD SEALS - ISO 228 F



REDUCED THREE-way ball valve 4 seals with "T"  
Drive: Inox lever  
Connection: ISO 228 female/female/female thread  
Flow: Reduced  
Material: Aisi 316L (1.4404)  
Measure: from 1/2" to 2"1/2  
Seals: Modified Virgin P.T.F.E.  
Operating temperature: -20°C +170°C  
Outer finish: Polished

On request:

Antistatic device ATEX:

II 2G Ex h IIC T4 Gb

II 2D Ex h IIIC T135°C Db

M.O.C.A. CE 1935/2004

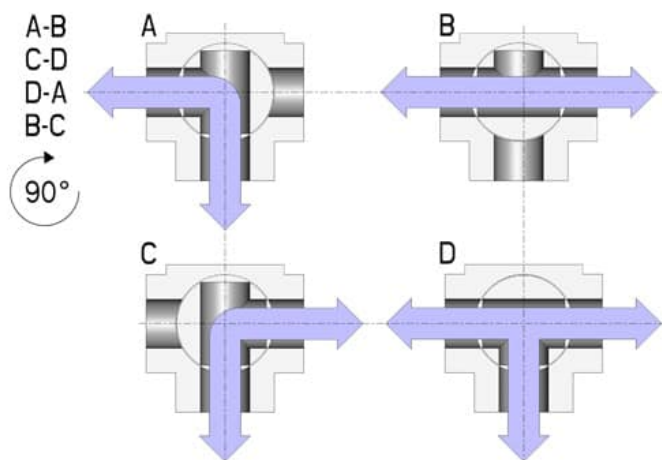
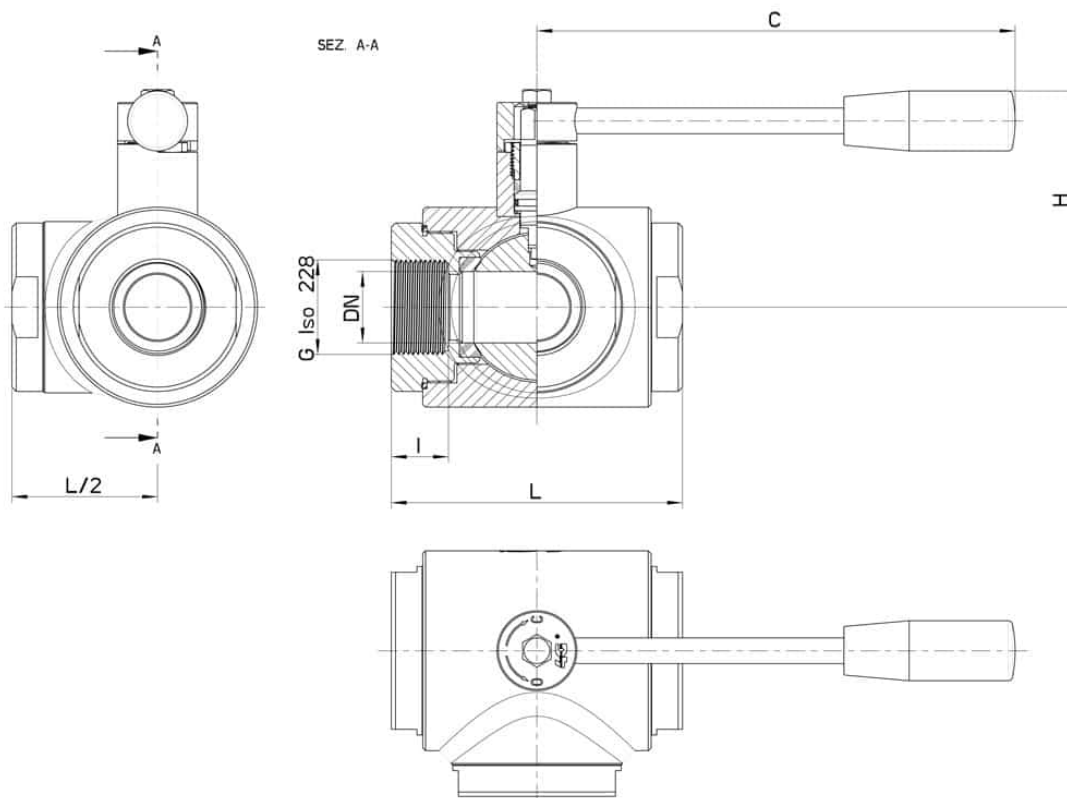
• Seals made of:

PTFE with glass -20°C+170°C

PTFE with carbographite -20°C+180°C

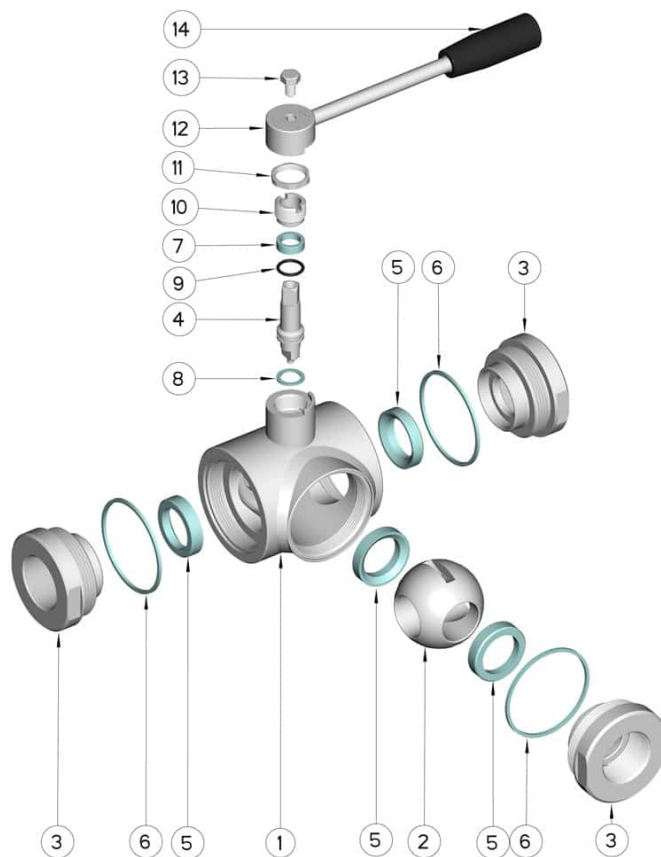
PTFE with inox -20°C+200°C

UHMW High-molecular weight polyethylene -20°C+80°C



---

G	DN	L	I	C	H	PN	Kg	CODE AISI 316L
1/2"	12	72	16	110	60	100	0,85	300101 61310
3/4"	15	82	18	110	65	100	1,10	300101 61810
1"	20	92	19	160	70	100	1,70	300101 62410
1"1/4	25	102	20	160	80	64	2,30	300101 62810
1"1/2	32	118	20	190	95	64	4,10	300101 63210
2"	40	134	20	190	110	64	6,10	300101 63610
2"1/2	50	144	22	220	130	40	7,50	300101 64210



POS.	Denomination	PCS	MAT.
1	Body	1	AISI 304L - 316L
2	Ball	1	AISI 304L - 316L
3	Sleeves	3	AISI 304L - 316L
4	Stem	1	AISI 304L - 316L
5	Ball Seals	4	PTFE Vergine Modificato
6	Sleeve Seals	3	PTFE
7	Stem Seal	1	PTFE
8	Stem Seal	1	PTFE
9	Stem or-Seal	1	FKM
10	Register ring	1	AISI 304L (303)
11	Nut	1	AISI 304L
12	Lever	1	AISI 304L
13	SCREW	1	AISI 304L
14	Handle	1	DUROPLAST (PF)

