

## 300101\_T\_4 SEALS STANDARD SEALS - ISO 228 F



THREE-way ball valve 4 seals with "T" port  
Drive: Inox lever  
Connection: ISO 228 female/female/female thread  
Flow: Full  
Material: Aisi 304L (1.4307) - Aisi 316L (1.4404)  
Measure: from 1/4" to 4"  
Seals: Modified Virgin P.T.F.E.  
Operating temperature: -20°C+170°C  
Outer finish: Polished

On request:

Antistatic device ATEX:

II 2G Ex h IIC T4 Gb

II 2D Ex h IIIC T135°C Db

M.O.C.A. CE 1935/2004

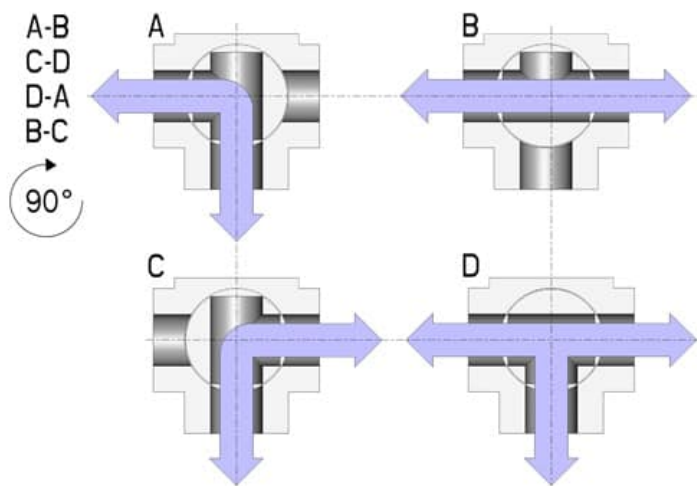
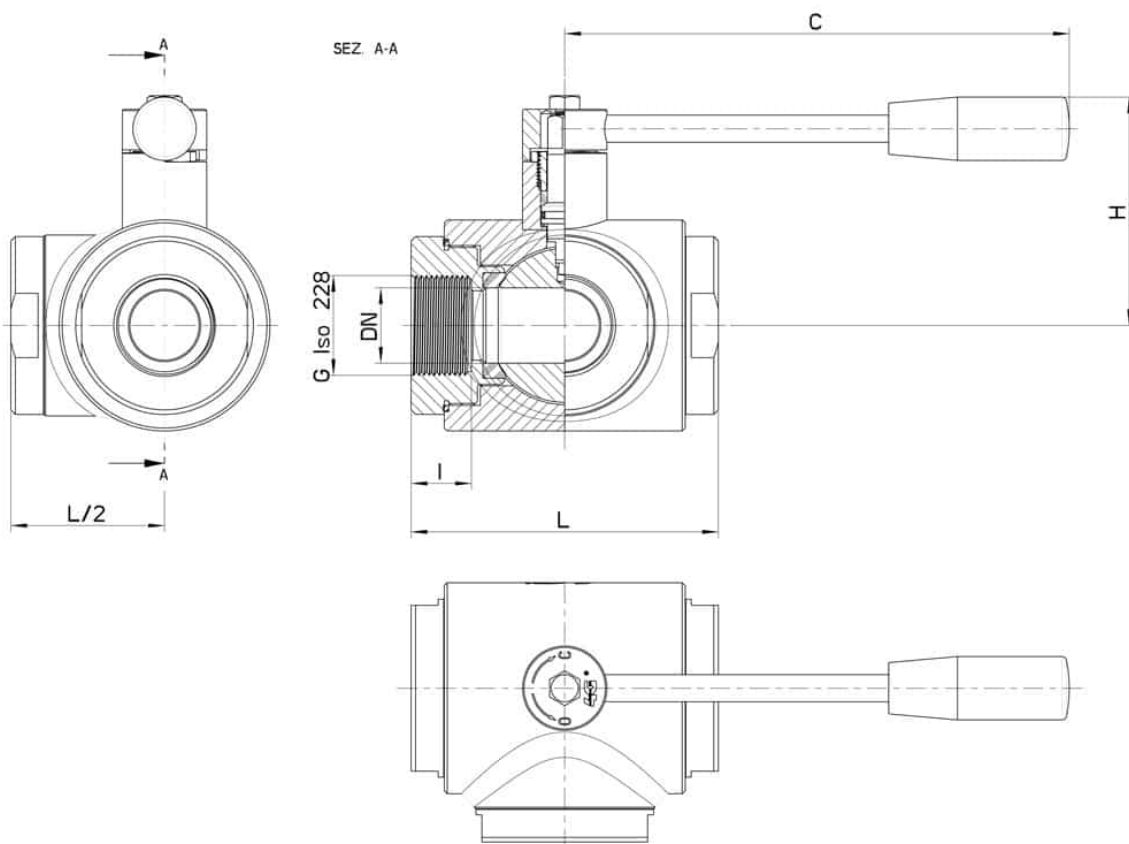
• Seals made of:

PTFE with glass -20°C+170°C

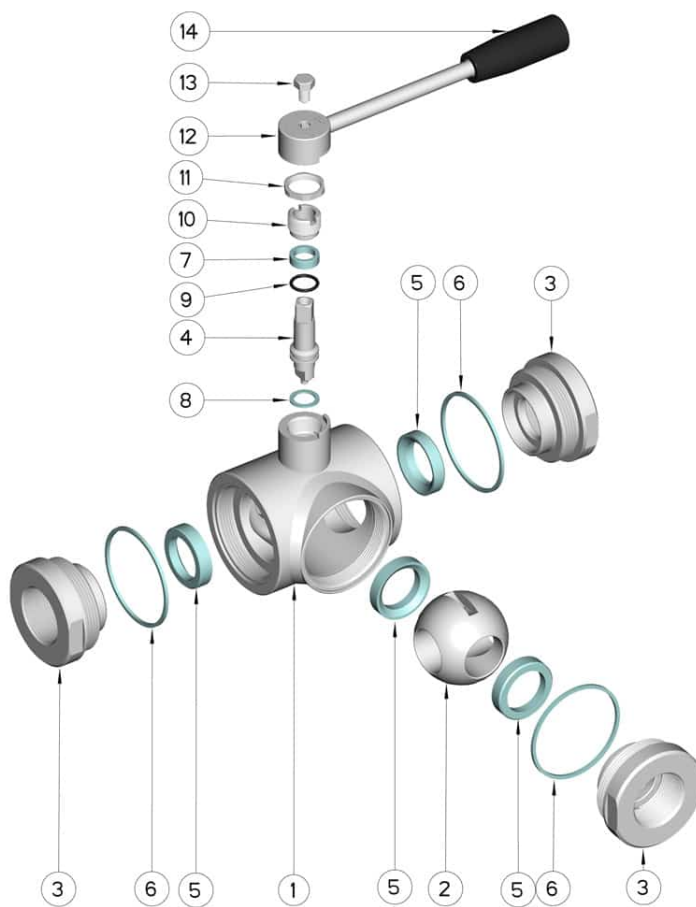
PTFE with carbographite -20°C+180°C

PTFE with inox -20°C+200°C

UHMW High-molecular weight polyethylene -20°C+80°C



G	DN	L	I	C	H	PN	Kg	CODE AISI 304L	CODE AISI 316L
1/4"	12	72	16	110	60	100	0,91	-	300101 60410
3/8"	12	72	16	110	60	100	0,90	-	300101 60810
1/2"	15	82	18	110	65	100	1,20	-	300101 61410
3/4"	20	92	19	160	70	100	1,88	-	300101 62010
1"	25	102	20	160	76	64	2,50	-	300101 62610
1"1/4	32	118	20	190	102	64	4,42	-	300101 63010
1"1/2	40	134	20	190	110	64	6,68	-	300101 63410
2"	50	144	20	225	116	40	7,99	-	300101 63810
2"1/2	65	160	22	290	125	40	9,84	-	300101 64410
3"	80	200	26	325	140	40	20,30	300101 44810	300101 64810
4"	100	240	26	325	155	16	32,75	300101 45410	300101 65410



POS.	DENOMINATION	PCS	MAT.
1	Body	1	AISI 304L - 316L
2	Ball	1	AISI 304L - 316L
3	Sleeves	3	AISI 304L - 316L
4	Stem	1	AISI 304L - 316L
5	Ball Seals	4	PTFE Vergine Modificato
6	Sleeve Seals	3	PTFE
7	Stem Seal	1	PTFE
8	Stem Seal	1	PTFE
9	Stem or-Seal	1	FKM
10	Register ring	1	AISI 304L (303)
11	Nut	1	AISI 304L
12	Lever	1	AISI 304L
13	SCREW	1	AISI 304L
14	Handle	1	DUROPLAST (PF)

