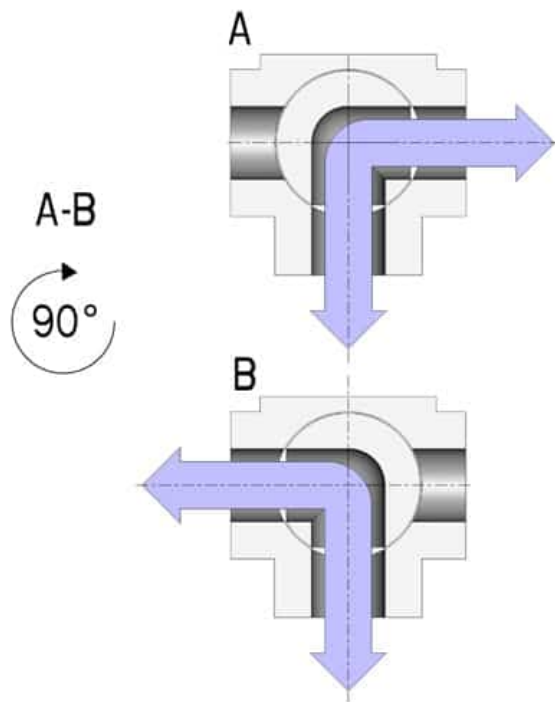
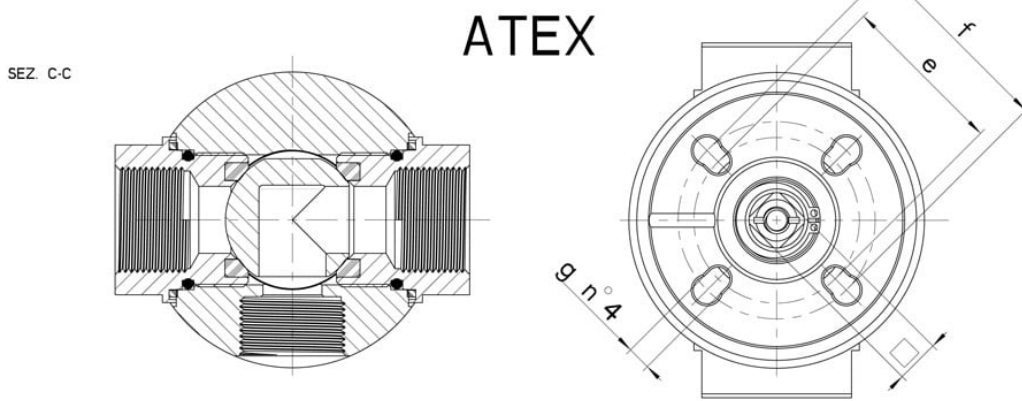
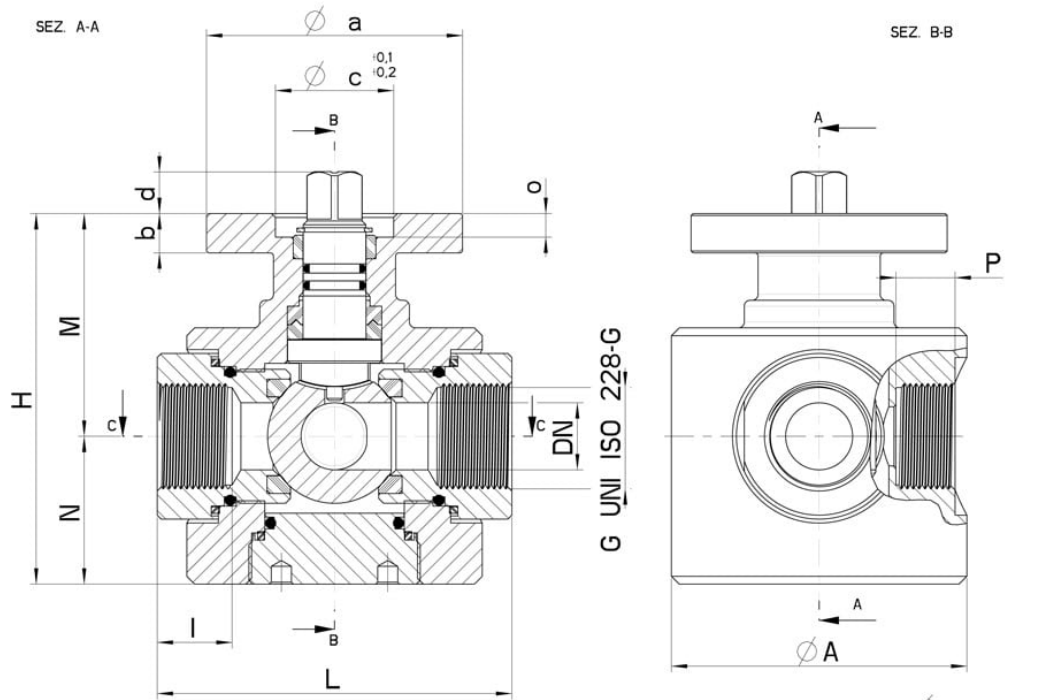


## 283001\_L\_HIGH PRESSURE PN400

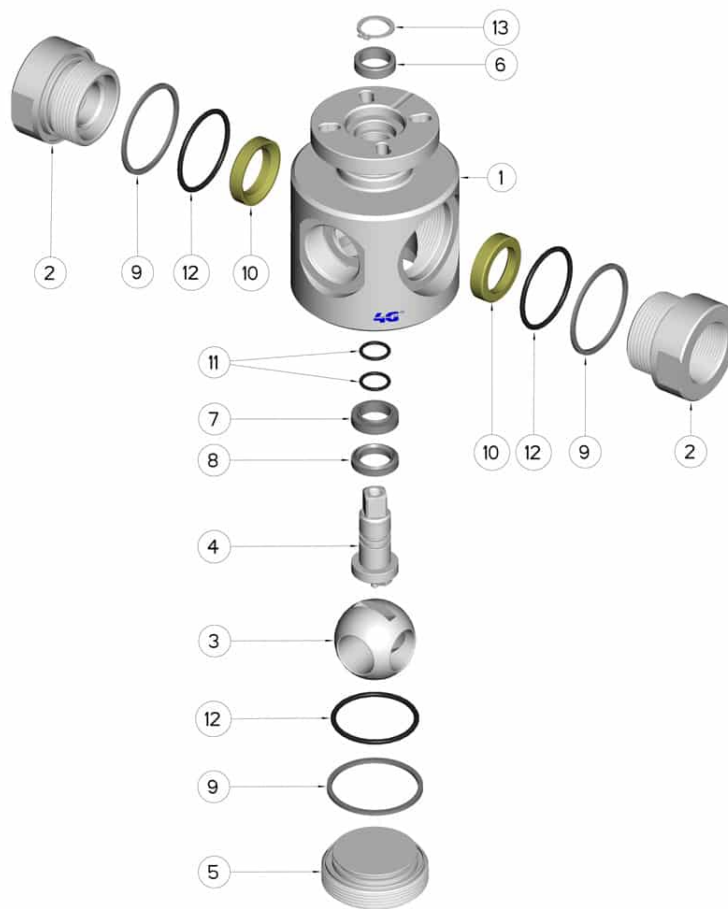


THREE-way ball valve ATEX II 2 G-D T4 with "L" port  
Drive: ISO 5211 - DIN 3337 flange for actuator  
Connection: ISO 228 female/female/female thread  
Flow: Full  
Material: Aisi 316L (1.4404)  
Measure: from 1/4" to 1"  
Seals: **DEVLON**  
Operating temperature: -20°C+125°C  
Outer finish: Turned  
Screws for mounting actuator included

On request:  
M.O.C.A. CE 1935/2004  
• MANUAL with LEVER  
• Seals made of:  
Delrin POM -30°+95°C



G	DN	L	I	P	H	M	N	Ø A	PN	Kg	ISO-DIN	Ø a	b	Ø c x o	□	d	e	f	g	n° 4 BOLTS	Nm	CODE
1/4"	8	70	15	13	84	53	31	60	400	1,35	F.03 / F.04	55	10	25x6	9/11	9,5	36	42	6	M5x16	20	283001A604L0
3/8"	8	70	15	13	84	53	31	60	400	1,30	F.03 / F.04	55	10	25x6	9/11	9,5	36	42	6	M5x16	20	283001A608L0
1/2"	12	80	18	15	87	54	33	65	400	1,65	F.04 / F.05	65	10	30x6	11/14	10,5	42	50	6	M5x16/M6x16	25	283001A614L0
3/4"	17	90	19	15	94	56,5	37,5	75	400	2,22	F.04 / F.05	65	10	30x6	11/14	10,5	42	50	6	M5x16/M6x16	35	283001A620L0
1"	22	100	20	16	100	59,5	40,5	85	400	2,90	F.04 / F.05	65	10	30x6	11/14	10,5	42	50	6	M5x16/M6x16	40	283001A626L0



POS.	DENOMINATION	PCS	MAT.
1	Body	1	AISI 316L
2	Sleeve	2	AISI 316L
3	Ball	1	AISI 316L
4	Stem	1	AISI 316L
5	Plug	1	AISI 316L
6	Pin Seals	1	GLASS filled PTFE
7	Pin Seals	1	INOX FILLED PTFE
8	Pin Seals	1	INOX FILLED PTFE
9	Sleeve Seal	3	PTFE
10	Ball Seals	2	DEVLON
11	O-Ring Pin	2	FKM
12	O-Ring Sleeve	3	FKM
13	Seeger	1	AISI 420

