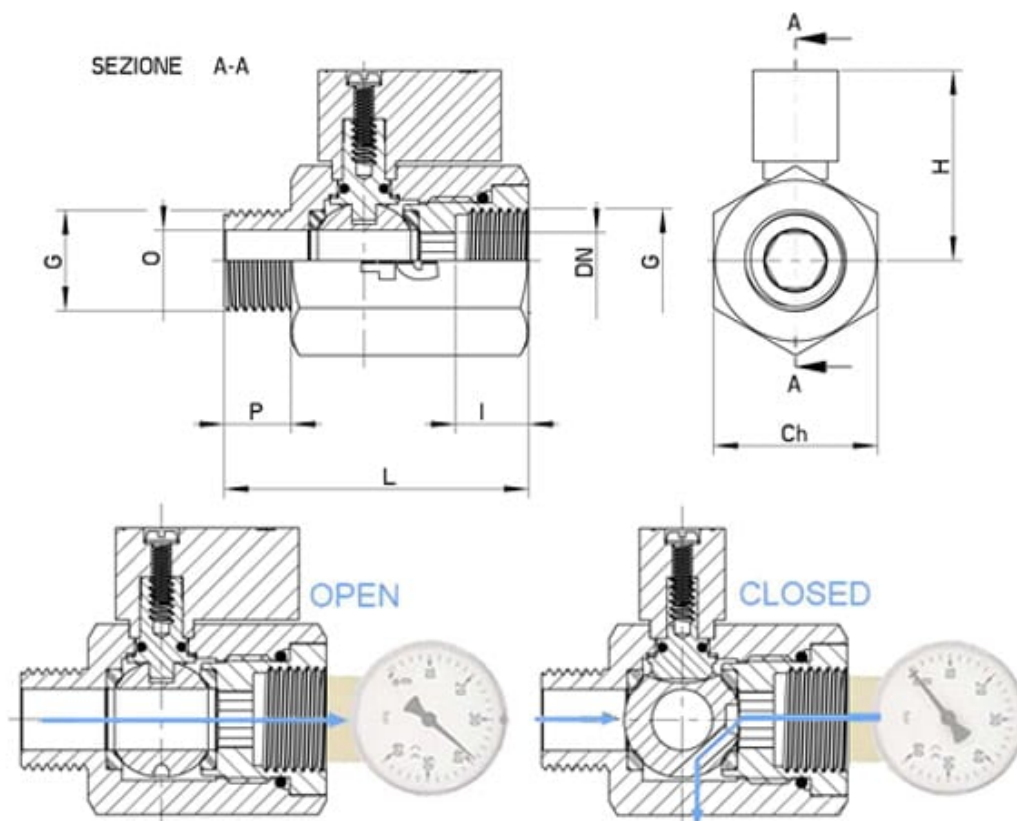


## 616209 STANDARD SEAL - ISO 228 F/M WITH VENT FOR MANOMETER



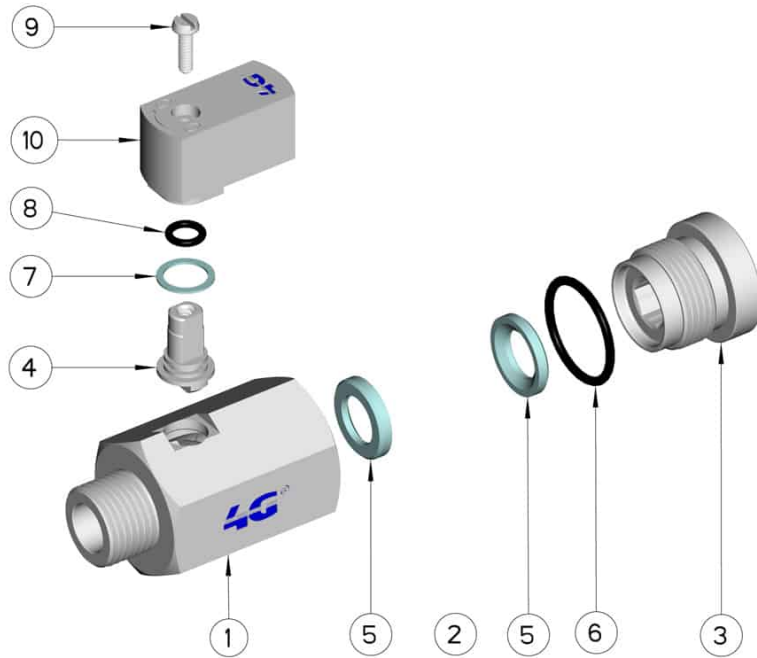
TWO-way ball valve MIGNON with VENT  
Drive: INOX lever  
Connection: ISO 228 female/male thread  
Flow: Full and reduced  
Material: Aisi 316L (1.4404)  
Measure: from 1/4" to 1/2"  
Seals: Virgin P.T.F.E.  
Operating temperature: -20°C+160°C  
Outer finish: Polished

On request:  
M.O.C.A. CE 1935/2004



---

G	DN	L	I	O	P	H	CH	PN	Kg.	CODE AISI 316L
1/4"	10	50	12	8	11	30	27	40	-	616209 60410
3/8"	10	50	12	10	11	30	27	40	-	616209 60810
1/2"	10	52	12	10	11	30	27	40	-	616209 61210



POS.	Denomination	PCS	MAT.
1	Body	1	AISI 316L
2	Ball	1	AISI 316L
3	Sleeve	1	AISI 316L
4	Stem	1	AISI 316L
5	Ball Seals	2	PTFE
6	Sleeve Seal	1	FKM (Viton)
7	Stem Seal	1	PTFE
8	Stem or-Seal	1	FKM
9	SCREW	1	AISI 304L
10	Lever	1	AISI 303

