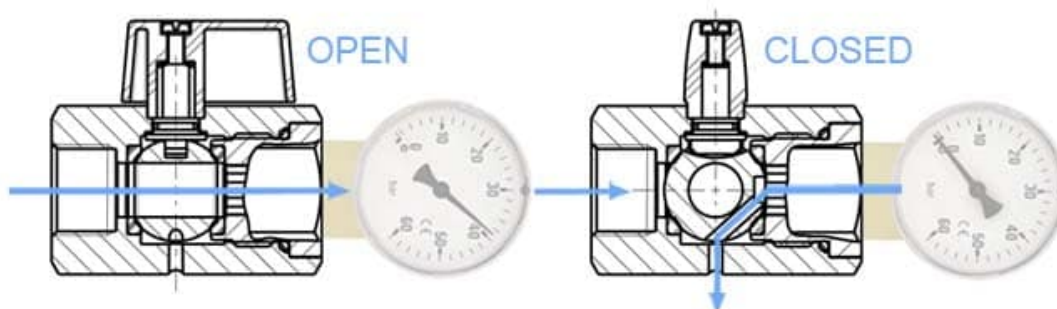
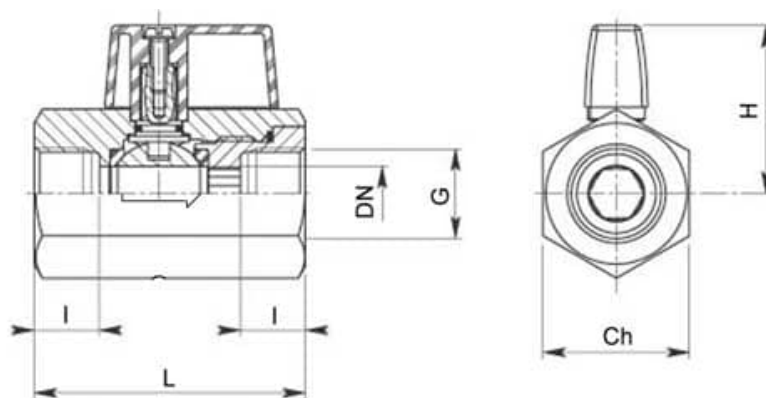


616001

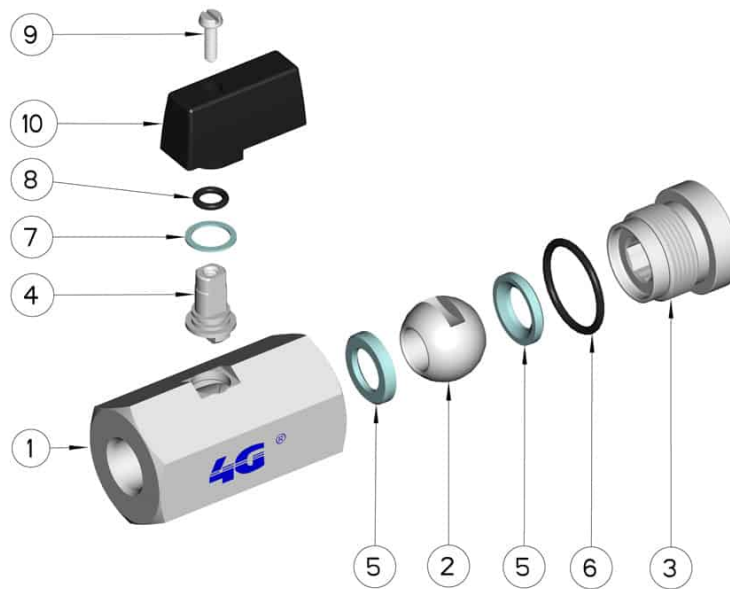


TWO-way ball valve MIGNON with VENT
Drive: Nylon lever
Connection: ISO 228 female/female thread
Flow: Full and reduced
Material: Aisi 316L (1.4404)
Measure: from 1/4" to 1/2"
Seals: Virgin P.T.F.E.
Operating temperature: -20°C+160°C
Outer finish: Polished

On request:
M.O.C.A. CE 1935/2004



G	DN	L	I	H	CH	PN	Kg.	CODE AISI 316L
1/4"	10	50	12	30	27	40	0,19	616001 60410
3/8"	10	50	12	30	27	40	0,17	616001 60810
1/2"	10	50	12	30	27	40	0,15	616001 61210



POS.	Denomination	PCS	MAT.
1	Body	1	AISI 316L
2	Ball	1	AISI 316L
3	Sleeve	1	AISI 316L
4	Stem	1	AISI 316L
5	Ball Seals	2	PTFE
6	Sleeve Seal	1	FKM
7	Stem Seal	1	PTFE
8	Stem or-Seal	1	FKM (Viton)
9	SCREW	1	AISI 304L
10	Lever	1	Nylon

