

## 553042\_INTEGRAL SEALS\_BUTT-WELDING IN ACCORDING TO BS-OD (ASTM A-270)



TWO-way ball valve, "Integral Seal" Three Pieces, revolving round sleeves

Drive: ISO 5211 - DIN 3337 flange for actuator

Drive: Inox lever

Connection: Butt-welding in according to BS-OD (ASTM A-270)

Flow: Full

Material: Aisi 316L (1.4404)

Measure: from DN10 to DN100

Seals: Virgin P.T.F.E.

Operating temperature: -20°C+160°C

Outer finish: Polished

Screws for mounting actuator included

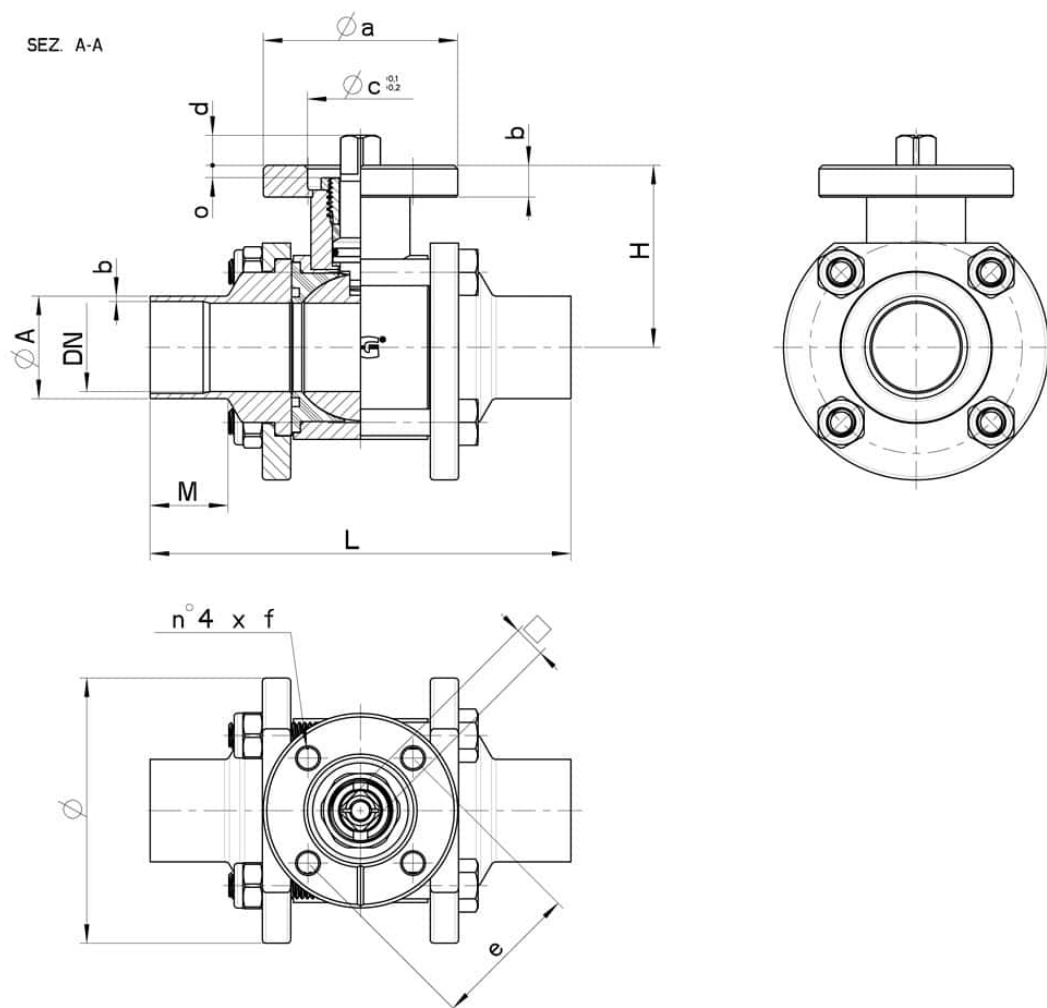
On request:

Antistatic device ATEX:

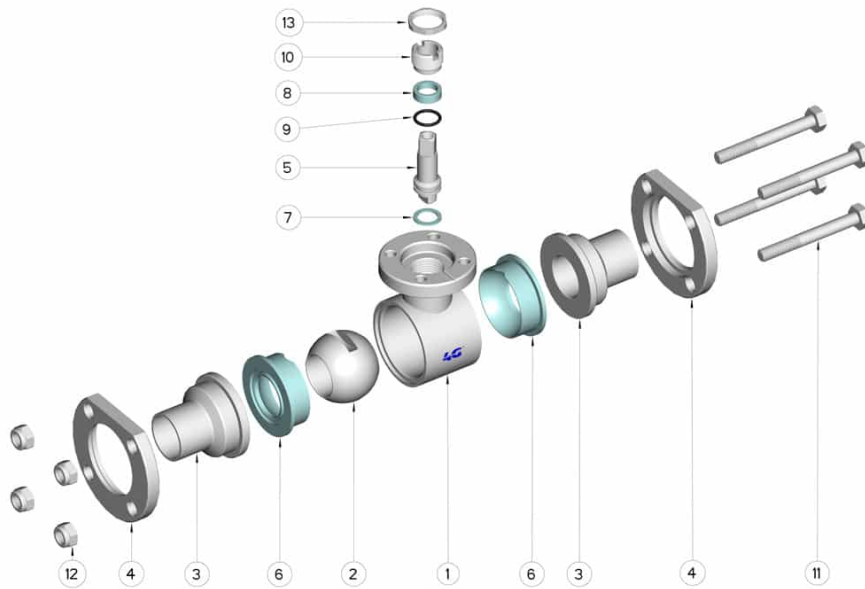
II 2G Ex h IIC T4 Gb

II 2D Ex h IIIC T135°C Db

M.O.C.A. CE 1935/2004



DN	L	H	M	ØA x B	Ø	Stay bolts	SERRAGGIO TIRANTI (Nm)	PN	Kg	ISO-DIN	Ø a	b	Ø c x o	□	d	e	f	n° 4 Bolts	Nm	COD. AISI 316
10	95	41,5	18	12,7 x 1,65	55	6 x 45	4	64	---	F.03	46	9	25x3	9	8	36	6	M5x14	10	553042 6A710
10	95	41,5	18	12,7 x 1,65	55	6 x 45	4	64	--	F.04	54	9	30x3	11	10	42	6	M5x14	10	553042 6A71F
15	95	41,5	20	19,05 x 1,65	55	6 x 45	4	64	--	F.03	46	9	25x3	9	8	36	6	M5x14	10	553042 6B910
15	95	41,5	20	19,05 x 1,65	55	6 x 45	4	64	--	F.04	54	9	30x3	11	10	42	6	M5x14	10	553042 6B91F
20	106	45	22	25,4 x 1,65	60	6 x 50	4	40	--	F.03	46	9	25x3	9	8	36	6	M5x14	15	553042 6D710
20	106	45	22	25,4 x 1,65	60	6 x 50	4	40	--	F.04	54	9	30x3	11	10	42	6	M5x14	15	553042 6D71F
25	118	51,5	22	25,4 x 1,65	75	8 x 65	8	40	--	F.04	54	9	30x3	11	10	42	6	M5x16	22	553042 6D810
25	118	51,5	22	25,4 x 1,65	75	8 x 65	8	40	--	F.05	65	9	35x3	14	13	50	7	M6x16	22	553042 6D81F
32	126	56,5	23	38,1 x 1,65	85	8 x 70	10	25	---	F.04	54	9	30x3	11	10	42	6	M5x16	25	553042 6J910
32	126	56,5	23	38,1 x 1,65	85	8 x 70	10	25	--	F.05	65	9	35x3	14	13	50	7	M6x16	25	553042 6J91F
40	145	74	25	38,1 x 1,65	100	10 x 90	12	25	--	F.05	65	12	35x4	14	13	50	7	M6x20	35	553042 6K110
40	145	74	25	38,1 x 1,65	100	10 x 90	12	25	--	F.07	90	12	55x4	17	15	70	9	M8x20	35	553042 6K11F
50	165	82	25	50,8 x 1,65	120	10 x 100	13	25	--	F.05	65	12	35x4	14	13	50	7	M6x20	40	553042 6M810
50	165	82	25	50,8 x 1,65	120	10 x 100	13	25	--	F.07	90	12	55x4	17	15	70	9	M8x20	40	553042 6M81F
65	191	94,5	27	63,5 x 1,65	140	10 x 120	20	25	--	F.07	90	12	55x4	17	15	70	9	M8x20	60	553042 6R710
65	191	94,5	27	63,5 x 1,65	140	10 x 120	20	25	--	F.10	125	12	70x4	22	18	102	11	M10x25	60	553042 6R71F
80	208	106	27	76,1 x 2	165	10 x 140	20	16	--	F.07	90	12	55x4	17	15	70	9	M8x20	80	553042 6U710
80	208	106	27	76,1 x 2	165	10 x 140	20	16	--	F.10	125	12	70x4	22	18	102	11	M10x25	80	553042 6U71F
100	230	120	37,5	101,6 x 2,11	200	12 x 170	22	16	--	F.07	90	12	55x4	17	15	70	9	M8x20	90	553042 6X410
100	230	120	37,5	101,6 x 2,11	200	12 x 170	22	16	--	F.10	125	12	70x4	22	18	102	11	M10x25	90	553042 6X41F



POS.	Denomination	PCS	MAT.
1	Body	1	AISI 304L-316L
2	Ball	1	AISI 304L-316L
3	Sleeves	2	AISI 304L-316L
4	Flanges for sleeves	2	AISI 304L-316L
5	Stem	1	AISI 316L
6	Ball Seals	1	PTFE
7	Stem Seal	1	PTFE
8	Stem Seal	1	PTFE
9	OR tenuta perno	1	FKM
10	Register ring	1	AISI 304L (303)
11	Stay bolt	4	AISI 304L
12	Self-clamping nut	4	AISI 304L
13	Locknut	1	AISI 303

