

550142_INTEGRAL SEALS_BUTT-WELDING IN ACCORDING TO DIN 11850



TWO-way ball valve, "Integral Seal" Three Pieces, revolving round sleeves

Drive: Inox lever

Connection: Butt-welding in according to DIN 11850

Flow: Full

Material: Aisi 316L (1.4404)

Measure: from DN10 to DN100

Seals: Virgin P.T.F.E.

Operating temperature: -20°C+160°C

Outer finish: Polished

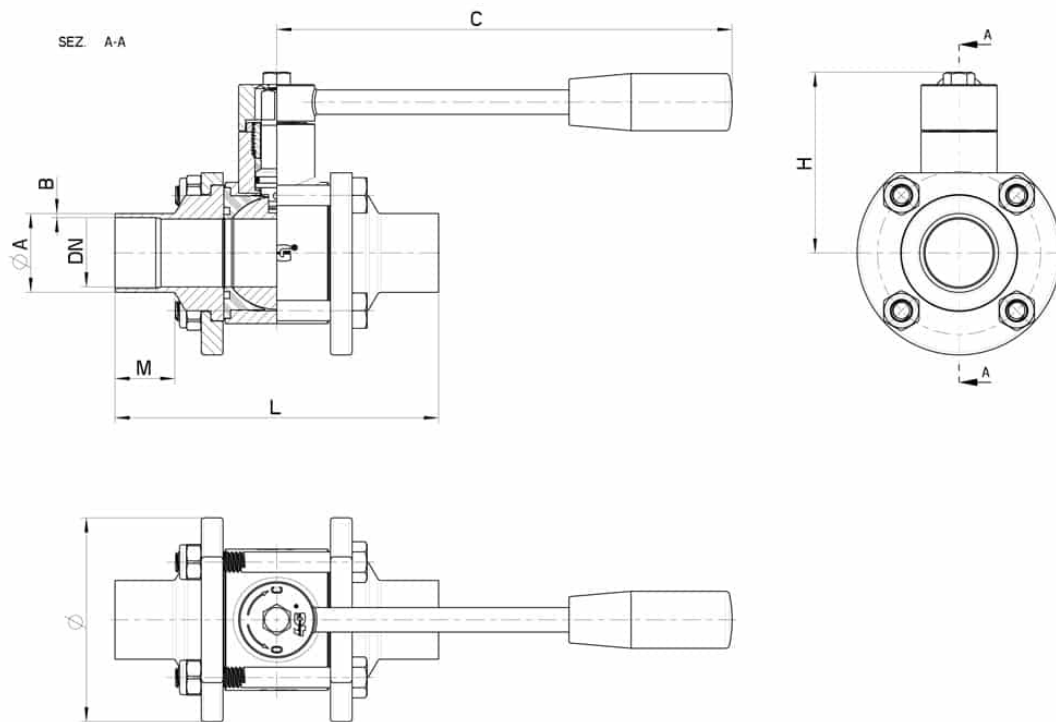
On request:

Antistatic device ATEX:

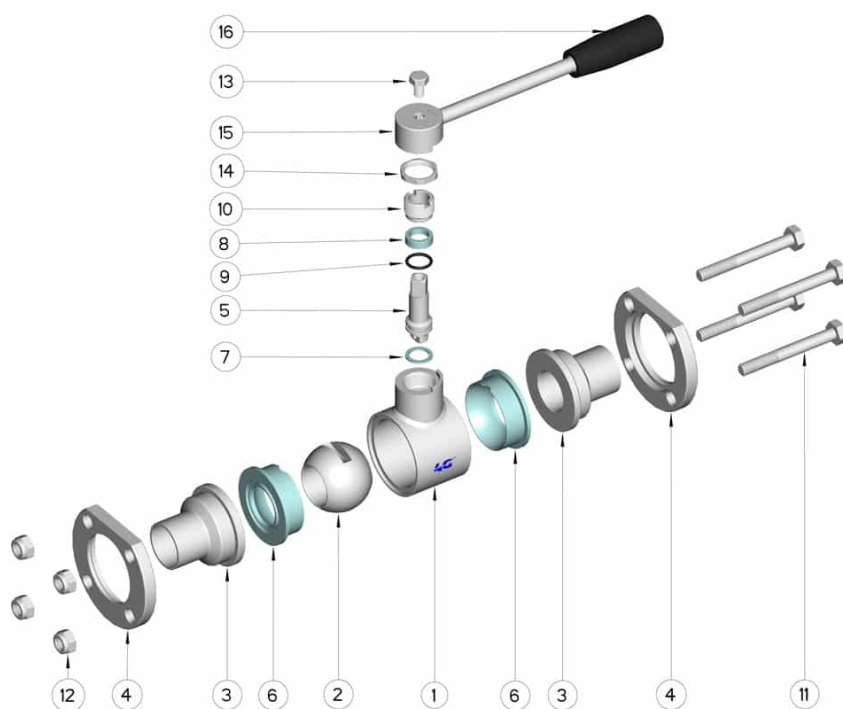
II 2G Ex h IIC T4 Gb

II 2D Ex h IIIC T135°C Db

M.O.C.A. CE 1935/2004



DN	L	C	H	M	ØA x B	Ø	Stay bolts	SERRAGGIO TIRANTI (Nm)	PN	Kg	COD. AISI 316L
10	95	110	55	20	13 x 1,5	55	6 x 45	4	64	--	550142 6B110
15	95	110	55	20	19 x 1,5	55	6 x 45	4	64	--	550142 6B810
20	106	110	60	22	23 x 1,5	60	6 x 50	4	40	--	550142 6C510
25	118	160	70	22	29 x 1,5	75	8 x 65	8	40	--	550142 6F510
32	126	160	80	23	35 x 1,5	85	8 x 70	10	25	--	550142 6J510
40	145	190	95	25	41 x 1,5	100	10 x 90	12	25	--	550142 6K910
50	165	190	100	25	53 x 1,5	120	10 x 100	13	25	--	550142 6N910
65	191	235	110	27	70 x 2	140	10 x 120	20	25	--	550142 6S610
80	208	285	130	27	85 x 2	165	10 x 140	20	16	--	550142 6W410
100	230	310	150	37,5	104 x 2	200	12 x 170	22	16	--	550142 6X810



POS.	Denomination	PCS	MAT.
1	Body	1	AISI 304L-316L
2	Ball	1	AISI 304L-316L
3	Sleeves	2	AISI 304L-316L
4	Flanges for sleeves	2	AISI 304L-316L
5	Stem	2	AISI 316L
6	Ball Seals	2	PTFE
7	Stem Seal	1	PTFE
8	Stem Seal	1	PTFE
9	Stem or-Seal	1	FKM
10	Register ring	1	AISI 304L (303)
11	Stay bolt	4	AISI 304L
12	Self-clamping nut	4	AISI 304L
13	SCREW	1	AISI 304L
14	Nut	1	AISI 304L
15	Lever	1	AISI 304L
16	Handle	1	DUROPLAST (PF)

