

## 543030 FOR BS PIPE



TWO-way ball valve, Three Pieces “Integral Seal”

Drive: ISO 5211 - DIN 3337 flange for actuator

Connection: **CLAMP normative DIN 32676 TAB.4 REIHE C**  
**For TUBE according to normative BS/OD (ASTM A270)**

Flow: Full and reduced

Material: Aisi 316L (1.4404)

Measure: from 1/2” to 4”

Seals: Virgin P.T.F.E.

Operating temperature: -20°C+160°C

Outer finish: Polished

Screws for mounting actuator included

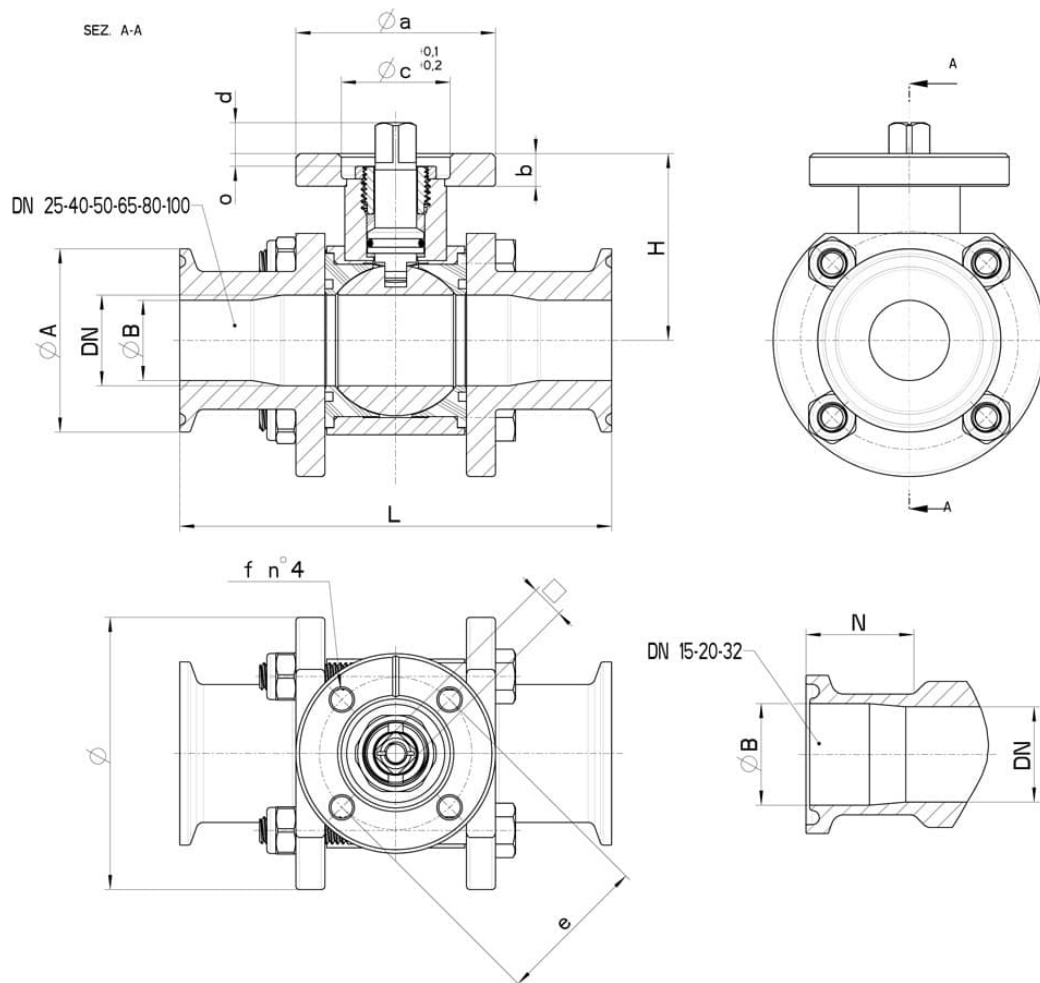
On request:

Antistatic device ATEX:

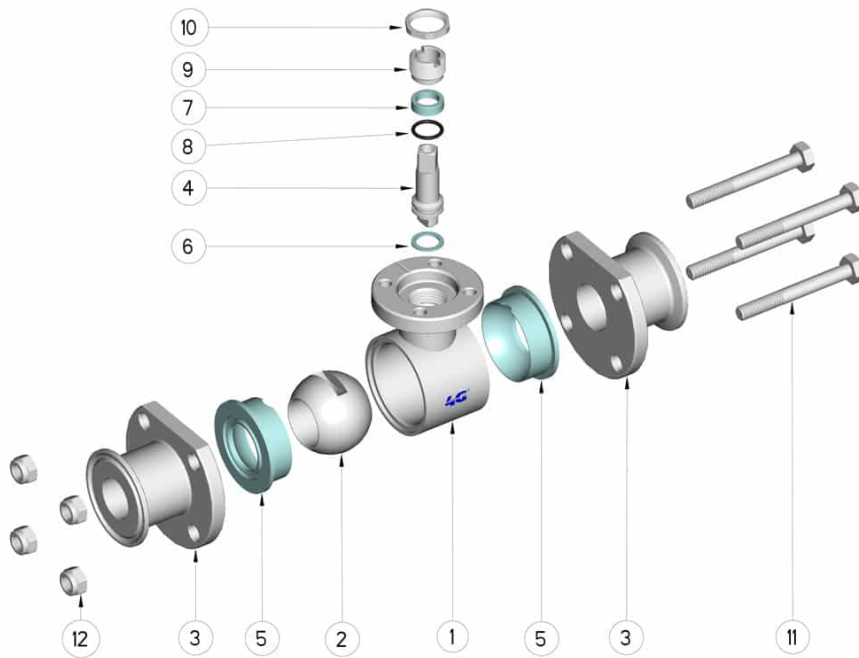
II 2G Ex h IIC T4 Gb

II 2D Ex h IIIC T135°C Db

M.O.C.A. CE 1935/2004



CLAMP SERIE C DN/OD	DN	L	H	N	Ø	Ø A	Ø B	Stay bolts	SERRAGGIO TIRANTI (Nm)	PN	KG	ISO-DIN	Ø a	b	Ø c x o	□	d	e	f	n° 4 Bolts	Nm	CODE AISI 316L
3/4"	15	95	41.5	19	55	25	15,75	6 x 45	4	64	-	F.03	46	9	25x3	9	8	36	6	M5x14	10	543030 61810
3/4"	15	95	41.5	19	55	25	15,75	6 x 45	4	64	-	F.04	54	9	30x3	11	10	42	6	M5x16	10	543030 6181F
1"	20	106	45	19	60	50,5	22,1	6 x 50	4	40	-	F.03	46	9	25x3	9	8	36	6	M5x16	15	543030 62410
1"	20	106	45	19	60	50,5	22,1	6 x 50	4	40	-	F.04	54	9	30x3	11	10	42	6	M5x16	15	543030 6241F
1"	25	118	51.5	19	75	50,5	22,1	6 x 65	8	40	-	F.04	54	9	30x3	11	10	42	6	M5x16	22	543030 62610
1"	25	118	51.5	19	75	50,5	22,1	6 x 65	8	40	-	F.05	65	9	35x3	14	13	50	7	M6x16	22	543030 6261F
1 1/2"	32	126	56.5	19	85	50,5	34,8	8 x 70	10	25	-	F.04	54	9	30x3	11	10	42	6	M5x16	25	543030 63210
1 1/2"	32	126	56.5	19	85	50,5	34,8	8 x 70	10	25	-	F.05	65	9	35x3	14	13	50	7	M6x16	25	543030 6321F
1 1/2"	40	145	74	19	100	50,5	34,8	10 x 90	12	25	-	F.05	65	12	35x4	14	13	50	7	M6x20	35	543030 63410
1 1/2"	40	145	74	19	100	50,5	34,8	10 x 90	12	25	-	F.07	90	12	55x4	17	15	70	9	M8x20	35	543030 6341F
2"	50	165	82	19	120	64	47,5	10 x 100	13	25	-	F.05	65	12	35x4	14	13	50	7	M6x20	40	543030 63810
2"	50	165	82	19	120	64	47,5	10 x 100	13	25	-	F.07	90	12	55x4	17	15	70	9	M8x20	40	543030 6381F
2 1/2"	65	191	94.5	19	140	77,5	60,2	10 x 120	20	25	-	F.07	90	12	55x4	17	15	70	9	M8x20	60	543030 64410
2 1/2"	65	191	94.5	19	140	77,5	60,2	10 x 120	20	25	-	F.10	125	12	70x4	22	18	102	11	M10x25	60	543030 6441F
3"	80	208	106	27	165	91	72,9	10 x 140	20	16	-	F.07	90	12	55x4	17	15	70	9	M8x20	80	543030 64810
3"	80	208	106	27	165	91	72,9	10 x 140	20	16	-	F.10	125	12	70x4	22	18	102	11	M10x25	80	543030 6481F
4"	100	230		27	200	119	97,38	12 x 170	22	16	-	F.07	90	12	55x4	17	15	70	9	M8x20	90	543030 65410
4"	100	230		27	200	119	97,38	12 x 170	22	16	-	F.10	125	12	70x4	22	18	102	11	M10x25	90	543030 6541F



POS.	Denomination	PCS	MAT.
1	Body	1	AISI 316L
2	Ball	1	AISI 316L
3	Sleeves	2	AISI 316L
4	Stem	1	AISI 316L
5	Ball Seals	2	PTFE
6	Stem Seal	1	PTFE
7	Stem Seal	1	PTFE
8	Stem or-Seal	1	FKM
9	Register ring	1	AISI 304L (303)
10	Locknut	1	AISI 303
11	Stay bolt	4	AISI 304L
12	Self-clamping nut	4	AISI 304L

