

533042 INTEGRAL SEALS_SCH80 BUTT WELDING



TWO-way ball valve, Three Pieces “Integral Seal”

Drive: ISO 5211 - DIN 3337 flange for actuator

Connection: Butt-welding

Flow: Full

Material: Aisi 316L (1.4404)

Measure: from DN8 to DN100

Seals: Virgin P.T.F.E.

Operating temperature: -20°C+160°C

Outer finish: Sandblasted

Screws for mounting actuator included

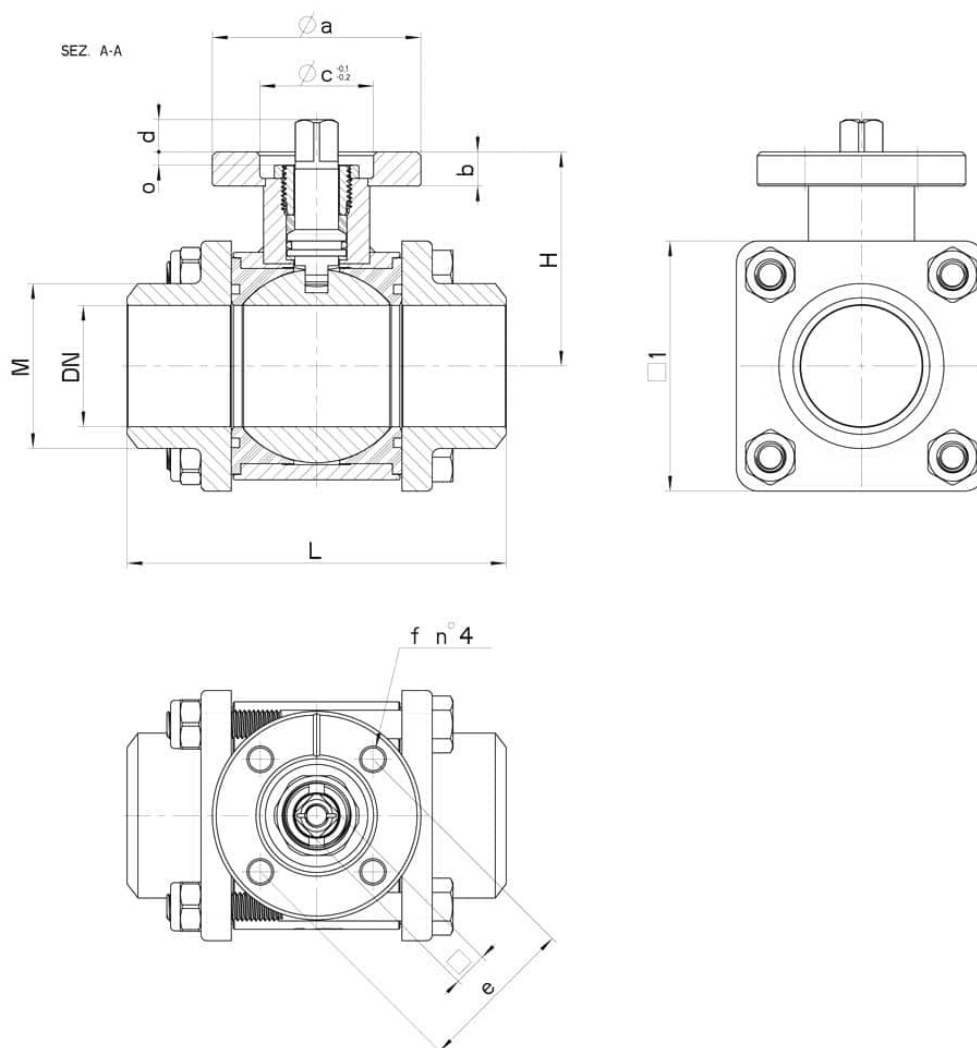
On request:

Antistatic device ATEX:

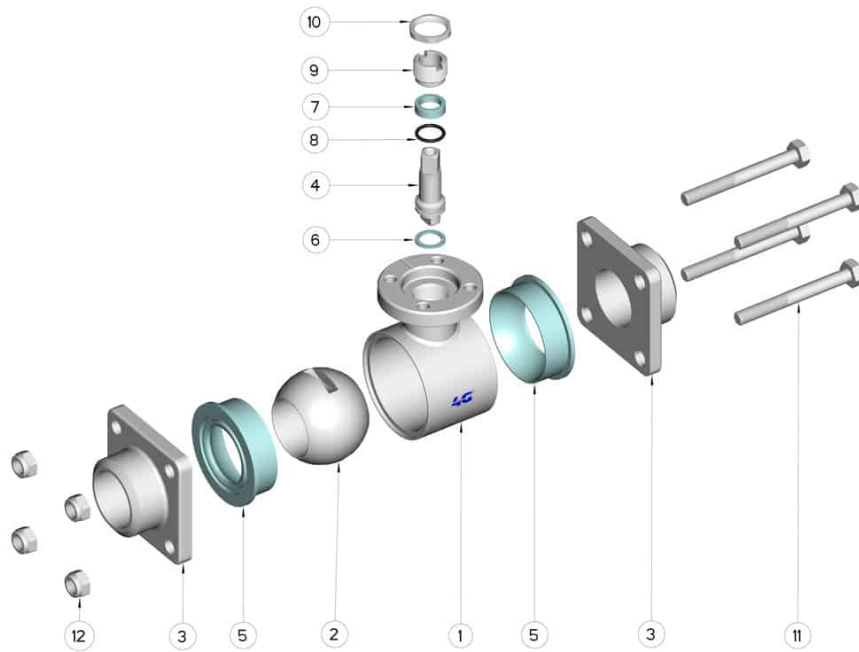
II 2G Ex h IIC T4 Gb

II 2D Ex h IIIC T135°C Db

M.O.C.A. CE 1935/2004



DN	L	H	M	□1	Stay bolts	SERRAGGIO TIRANTI (Nm)	PN	Kg.	ISO-DIN	Ø a	b	Ø c x o	□	d	e	f	n° 4 Bolts	Nm	CODE AISI 316L
8	70	41,5	14	40	6x45	4	64	-	F.03	46	9	25x3	9	8	36	6	M5x14	10	533042 60410
8	70	41,5	14	40	6x45	4	64	-	F.04	54	9	30x3	11	10	42	6	M5x16	10	533042 6041F
10	70	41,5	18	40	6x45	4	64	-	F.03	46	9	25x3	9	8	36	6	M5x14	10	533042 60810
10	70	41,5	18	40	6x45	4	64	-	F.04	54	9	30x3	11	10	42	6	M5x16	10	533042 6081F
15	70	41,5	22,5	40	6x45	4	64	-	F.03	46	9	25x3	9	8	36	6	M5x14	10	533042 61410
15	70	41,5	22,5	40	6x45	4	64	-	F.04	54	9	30x3	11	10	42	6	M5x16	10	533042 6141F
20	80	45	28	45	6x50	4	40	-	F.03	46	9	25x3	9	8	36	6	M5x14	15	533042 62010
20	80	45	28	45	6x50	4	40	-	F.04	54	9	30x3	11	10	42	6	M5x14	15	533042 6201F
25	90	51,5	34,5	60	8x65	8	40	-	F.04	54	9	30x3	11	10	42	6	M5x16	22	533042 62610
25	90	51,5	34,5	60	8x65	8	40	-	F.05	65	9	35x3	14	13	50	7	M6x16	22	533042 6261F
32	100	56,5	43,5	70	8x70	10	25	-	F.04	54	9	30x3	11	10	42	6	M5x16	25	533042 63010
32	100	56,5	43,5	70	8x70	10	25	-	F.05	65	9	35x3	14	13	50	7	M6x16	25	533042 6301F
40	114	74	49,5	80	10x90	12	25	-	F.05	65	12	35x4	14	13	50	7	M6x20	35	533042 63410
40	114	74	49,5	80	10x90	12	25	-	F.07	90	12	55x4	17	15	70	9	M8x20	35	533042 6341F
50	136	82	61,5	90	10x100	13	25	-	F.05	65	12	35x4	14	13	50	7	M6x20	40	533042 63810
50	136	82	61,5	90	10x100	13	25	-	F.07	90	12	55x4	17	15	70	9	M8x20	40	533042 6381F
65	151	94,5	76	Ø 140	10x120	20	25	-	F.07	90	12	55x4	17	15	70	9	M8x20	60	533042 64410
65	151	94,5	76	Ø 140	10x120	20	25	-	F.10	125	12	70x4	22	18	102	11	M10x25	60	533042 6441F
80	168	106	91	Ø 165	10x140	20	16	-	F.07	90	12	55x4	17	15	70	9	M8x20	80	533042 64810
80	168	106	91	Ø 165	10x140	20	16	-	F.10	125	12	70x4	22	18	102	11	M10x25	80	533042 6481F
100	200	120	116	Ø 200	12x170	22	16	-	F.07	90	12	55x4	17	15	70	9	M8x20	90	533042 65410
100	200	120	116	Ø 200	12x170	22	16	-	F.10	125	12	70x4	22	18	102	11	M10x25	90	533042 6541F



POS.	Denomination	PCS	MAT.
1	Body	1	AISI 316L
2	Ball	1	AISI 316L
3	Sleeves	2	AISI 316L
4	Stem	1	AISI 316L
5	Ball Seals	2	PTFE
6	Stem Seal	1	PTFE
7	Stem Seal	1	PTFE
8	Stem or-Seal	1	FKM
9	Register ring	1	AISI 304L (303)
10	Locknut	1	AISI 303
11	Stay bolt	4	AISI 304L
12	Self-clamping nut	4	AISI 304L

