

## 533001 INTEGRAL SEALS - ISO 228 F



TWO-way ball valve, Three Pieces "Integral Seal"

Drive: ISO 5211 - DIN 3337 flange for actuator

Connection: ISO 228 female/female thread

Flow: Full

Material: Aisi 316L (1.4404)

Measure: from 1/4" to 4"

Seals: Virgin P.T.F.E.

Operating temperature: -20°C+160°C

Outer finish: Sandblasted

Screws for mounting actuator included

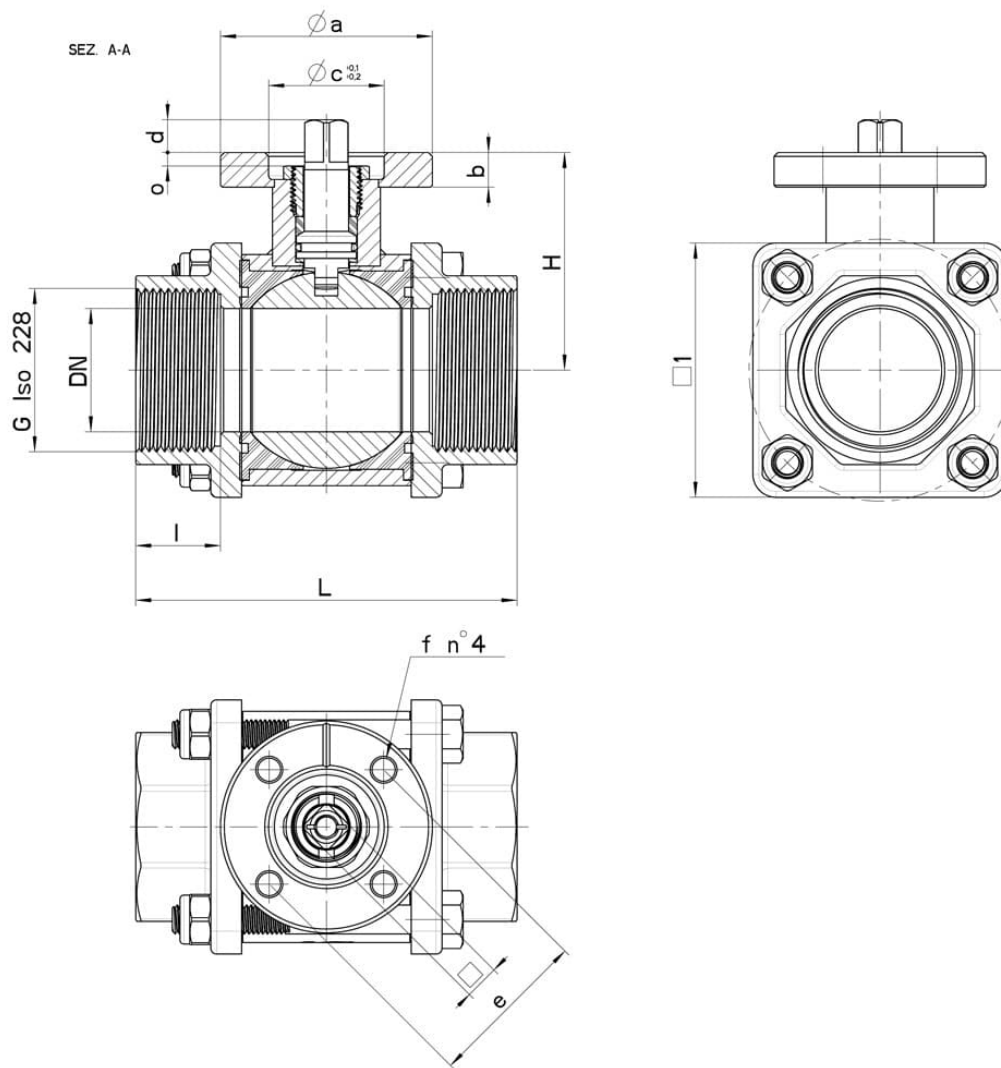
On request:

Antistatic device ATEX:

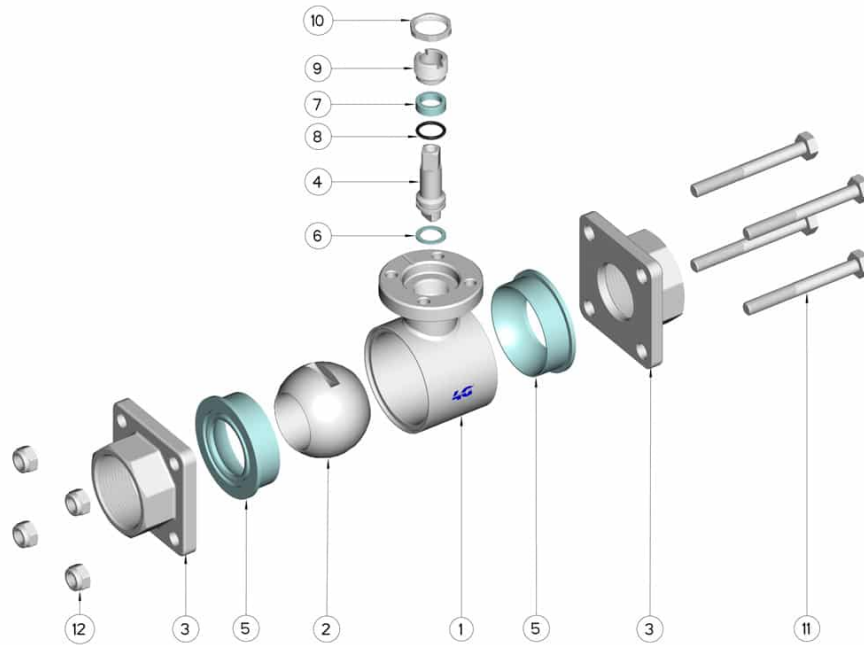
II 2G Ex h IIC T4 Gb

II 2D Ex h IIIC T135°C Db

M.O.C.A. CE 1935/2004



G	DN	L	I	H	□ 1	Stay bolts	SERRAGGIO TIRANTI (Nm)	PN	Kg	ISO-DIN	Ø a	b	Ø c x o	□	d	e	f	n° 4 Bolts	Nm	CODE AISI 316L
1/4"	8	70	17	41,5	40	6 x 45	4	64	0,47	F.03	46	9	25x3	9	8	36	6	M5x14	10	533001 60410
1/4"	8	70	17	41,5	40	6 x 45	4	64	0,51	F.04	54	9	30x3	11	10	42	6	M5x16	10	533001 6041F
3/8"	10	70	17	41,5	40	6 x 45	4	64	0,44	F.03	46	9	25x3	9	8	36	6	M5x14	10	533001 60810
3/8"	10	70	17	41,5	40	6 x 45	4	64	0,49	F.04	54	9	30x3	11	10	42	6	M5x16	10	533001 6081F
1/2"	15	70	17	41,5	40	6 x 45	4	64	0,45	F.03	46	9	25x3	9	8	36	6	M5x14	10	533001 61410
1/2"	15	70	17	41,5	40	6 x 45	4	64	0,49	F.04	54	9	30x3	11	10	42	6	M5x16	10	533001 6141F
3/4"	20	80	19	45	45	6 x 50	4	40	0,61	F.03	46	9	25x3	9	8	36	6	M5x14	15	533001 62010
3/4"	20	80	19	45	45	6 x 50	4	40	0,65	F.04	54	9	30x3	11	10	42	6	M5x16	15	533001 6201F
1"	25	90	20	51,5	60	8 x 65	8	40	1,06	F.04	54	9	30x3	11	10	42	6	M5x16	22	533001 62610
1"	25	90	20	51,5	60	8 x 65	8	40	1,23	F.05	65	9	35x3	14	13	50	7	M6x16	22	533001 6261F
1 1/4"	32	100	22	56,5	70	8 x 70	10	25	1,34	F.04	54	9	30x3	11	10	42	6	M5x16	25	533001 63010
1 1/4"	32	100	22	56,5	70	8 x 70	10	25	1,51	F.05	65	9	35x3	14	13	50	7	M6x16	25	533001 6301F
1 1/2"	40	114	24	76	80	10 x 90	12	25	2,27	F.05	65	12	35x4	14	13	50	7	M6x20	35	533001 63410
1 1/2"	40	114	24	76	80	10 x 90	12	25	2,40	F.07	90	12	55x4	17	15	70	9	M8x20	35	533001 6341F
2"	50	136	26	82	90	10 x 100	13	25	3,47	F.05	65	12	35x4	14	13	50	7	M6x20	40	533001 63810
2"	50	136	26	82	90	10 x 100	13	25	3,63	F.07	90	12	55x4	17	15	70	9	M8x20	40	533001 6381F
2 1/2"	65	151	28	94,5	Ø 140	10 x 120	20	25	-	F.07	90	12	55x4	17	15	70	9	M8x20	60	533001 64410
2 1/2"	65	151	28	94,5	Ø 140	10 x 120	20	25	-	F.10	125	12	70x4	22	18	102	11	M10x25	60	533001 6441F
3"	80	168	24	106	Ø 165	10 x 140	20	16	-	F.07	90	12	55x4	17	15	70	9	M8x20	80	533001 64810
3"	80	168	24	106	Ø 165	10 x 140	20	16	-	F.10	125	12	70x4	22	18	102	11	M10x25	80	533001 6481F
4"	100	200	26	120	Ø 200	12 x 170	22	16	-	F.07	90	12	55x4	17	15	70	9	M8x20	90	533001 65410
4"	100	200	26	120	Ø 200	12 x 170	22	16	-	F.10	125	12	70x4	22	18	102	11	M10x25	90	533001 6541F



POS.	Denomination	PCS	MAT.
1	Body	1	AISI 316L
2	Ball	1	AISI 316L
3	Sleeves	2	AISI 316L
4	Stem	1	AISI 316L
5	Ball Seals	2	PTFE
6	Stem Seal	1	PTFE
7	Stem Seal	1	PTFE
8	Stem or-Seal	1	FKM
9	Register ring	1	AISI 304L (303)
10	Locknut	1	AISI 303
11	Stay bolt	4	AISI 303
12	Self-clamping nut	4	AISI 303

