

530140 INTEGRAL SEALS_SOCKET WELDING



TWO-way ball valve, Three Pieces "Integral Seal"

Drive: Inox lever

Connection: Socket-welding

Flow: Full

Material: Aisi 316L (1.4404)

Measure: from DN8 to DN100

Seals: Virgin P.T.F.E.

Operating temperature: -20°C+160°C

Outer finish: Sandblasted

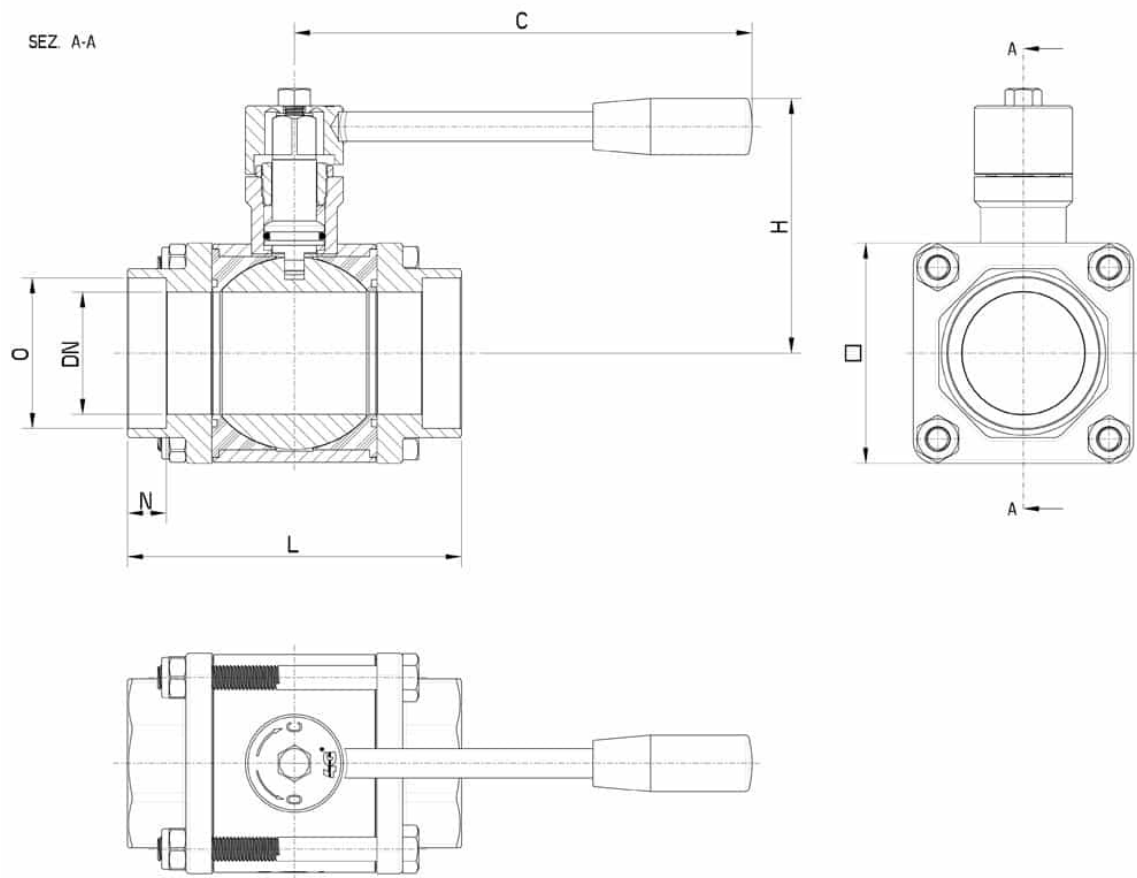
On request:

Antistatic device ATEX:

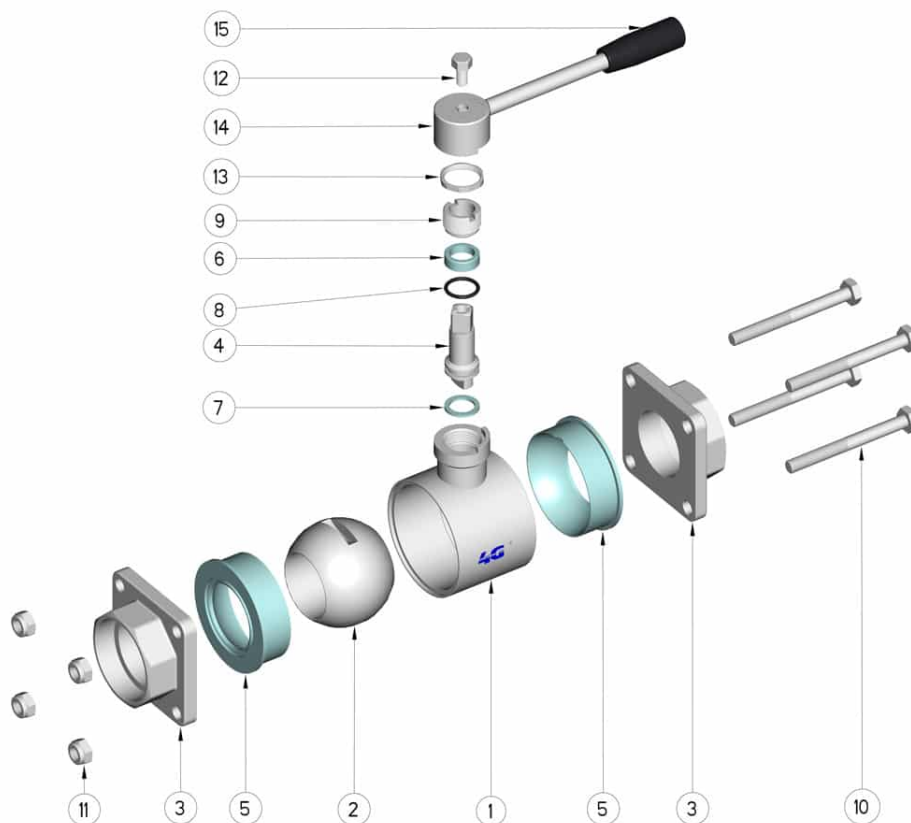
II 2G Ex h IIC T4 Gb

II 2D Ex h IIIC T135°C Db

M.O.C.A. CE 1935/2004



DN	L	C	H	N	O	□	STAY BOLTS	Tightening bolts (Nm)	PN	Kg	CODE AISI 316L
8	70	110	55	9,7	14	40	6 x 45	4	64	0,46	530140 60410
10	70	110	55	9,7	17,80	40	6 x 45	4	64	0,44	530140 60810
15	70	110	55	9,7	22	40	6 x 45	4	64	0,40	530140 61410
20	80	110	60	12,7	27,3	45	6 x 50	4	40	0,60	530140 62010
25	90	160	70	12,7	34	60	8 x 65	8	40	1,10	530140 62610
32	100	160	80	12,7	42,8	70	8 x 70	10	25	1,36	530140 63010
40	114	190	95	12,7	48,9	80	10 x 90	12	25	2,33	530140 63410
50	136	190	100	15,8	61,4	90	10 x 100	13	25	3,55	530140 63810
65	151	235	110	15,8	76,5 (74.2)	Ø 140	10 x 120	20	25	7,5	530140 64410
80	168	285	130	21	90.2	Ø 165	10 x 140	20	16	--	530140 64810
100	200	310	150	19	115,8	Ø 200	12 x 170	22	16	--	530140 65410



POS.	DENOMINATION	PCS	MAT.
1	Body	1	AISI 316L
2	Ball	1	AISI 316L
3	Sleeves	2	AISI 316L
4	Stem	1	AISI 316L
5	Ball Seals	2	PTFE
6	Stem Seal	1	PTFE
7	Stem Seal	1	PTFE
8	Stem or-Seal	1	FKM
9	Register ring	1	AISI 304L (303)
10	Stay bolt	4	AISI 304L
11	Self-clamping nut	4	AISI 304L
12	Nut	1	AISI 304L
13	Washer	1	AISI 304L
14	Lever	1	AISI 304L
15	Handle	1	Resin

