

## 530101 INTEGRAL SEALS - ISO 228 F



TWO-way ball valve, Three Pieces "Integral Seal"

Drive: Inox lever

Connection: ISO 228 female/female thread

Flow: Full

Material: Aisi 316L (1.4404)

Measure: from 1/4" to 4"

Seals: Virgin P.T.F.E.

Operating temperature: -20°C+160°C

Outer finish: Sandblasted

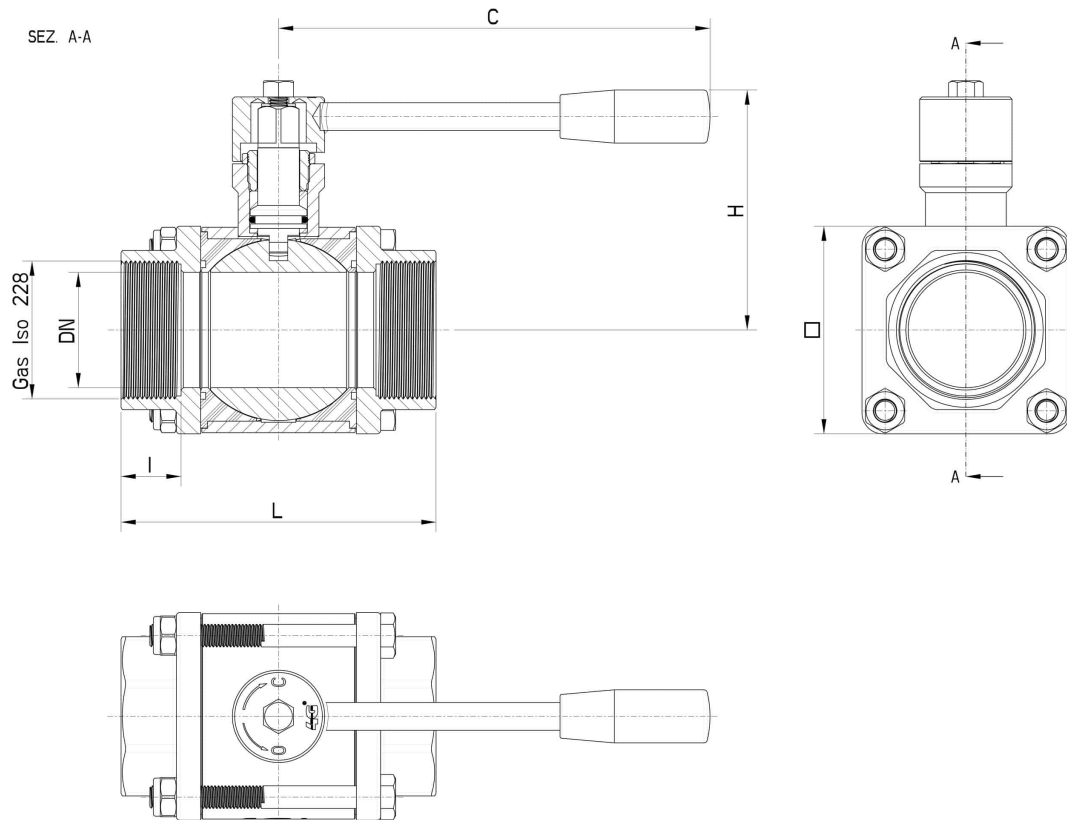
On request:

Antistatic device ATEX:

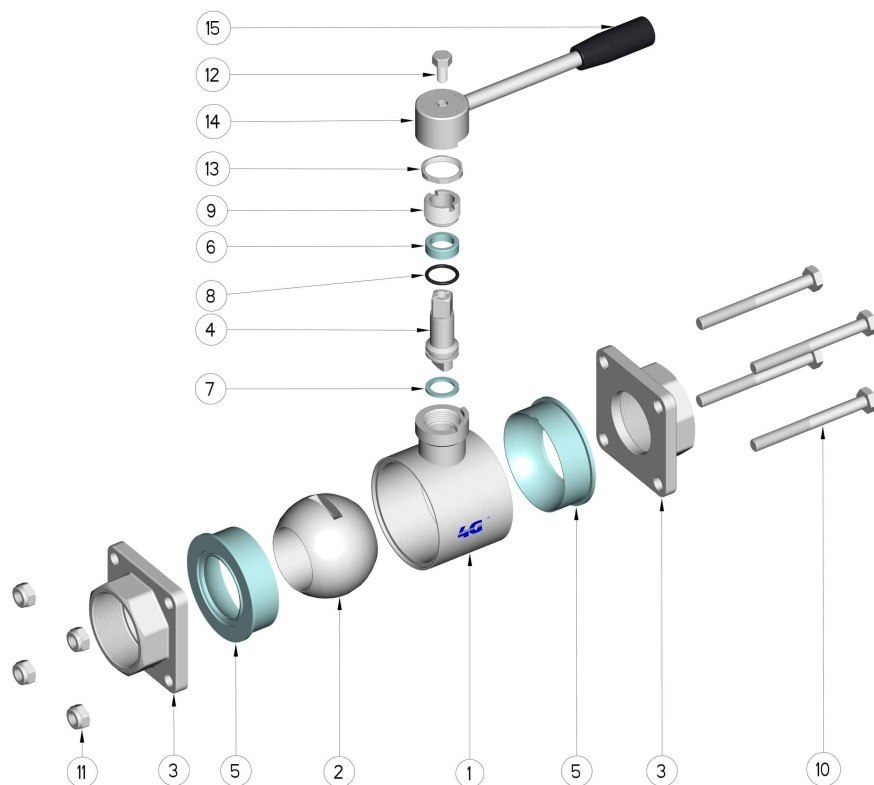
II 2G Ex h IIC T4 Gb

II 2D Ex h IIIC T135°C Db

M.O.C.A. CE 1935/2004



G	DN	L	I	C	H	□	Stay bolts	SERRAGGIO TIRANTI (Nm)	PN	Kg	CODE AISI 316L
1/4	8	70	17	110	55	40	6 x 45	4	64	-	530101 60401
3/8	10	70	17	110	55	40	6 x 45	4	64	-	530101 60810
1/2	15	70	17	110	55	40	6 x 45	4	64	-	530101 61410
3/4	20	80	19	110	60	45	6 x 50	4	40	-	530101 62010
1	25	90	20	160	70	60	8 x 65	8	40	-	530101 62610
1 1/4	32	100	22	160	80	70	8 x 70	10	25	-	530101 63010
1 1/2	40	114	24	190	95	80	10 x 90	12	25	-	530101 63410
2	50	136	26	190	100	90	10 x 100	13	25	-	530101 63810
2 1/2	65	151	28	235	110	Ø 140	10 x 120	20	25	-	530101 64410
3"	80	168	24	285	130	Ø 165	10 x 140	20	16	-	530101 64810
4"	100	200	26	310	150	Ø 200	12 X 170	22	16	-	530101 65410



POS.	Denomination	PCS	MAT.
1	Body	1	AISI 316L
2	Ball	1	AISI 316L
3	Sleeves	2	AISI 316L
4	Stem	1	AISI 316L
5	Ball Seals	2	PTFE
6	Stem Seal	1	PTFE
7	Stem Seal	1	PTFE
8	Stem or-Seal	1	FKM
9	Register ring	1	AISI 304L (303)
10	Stay bolt	4	AISI 304L
11	Self-clamping nut	4	AISI 304L
12	Nut	1	AISI 304L
13	Washer	1	AISI 304L
14	Lever	1	AISI 304L
15	Handle	1	DUROPLAST (PF)

