

520142_STANDARD SEALS_BUTT-WELDING IN ACCORDING TO BS-OD (ASTM A-270)



TWO-way ball valve, Three Pieces, revolving round sleeves
Drive: Inox lever
Connection: Butt-welding in according to BS-OD (ASTM A-270)
Flow: Full
Material: Aisi 316L (1.4404)
Measure: from DN10 to DN100
Seals: Virgin P.T.F.E.
Operating temperature: -20°C+160°C
Outer finish: Polished

On request:

Antistatic device ATEX:

II 2G Ex h IIC T4 Gb

II 2D Ex h IIIC T135°C Db

M.O.C.A. CE 1935/2004

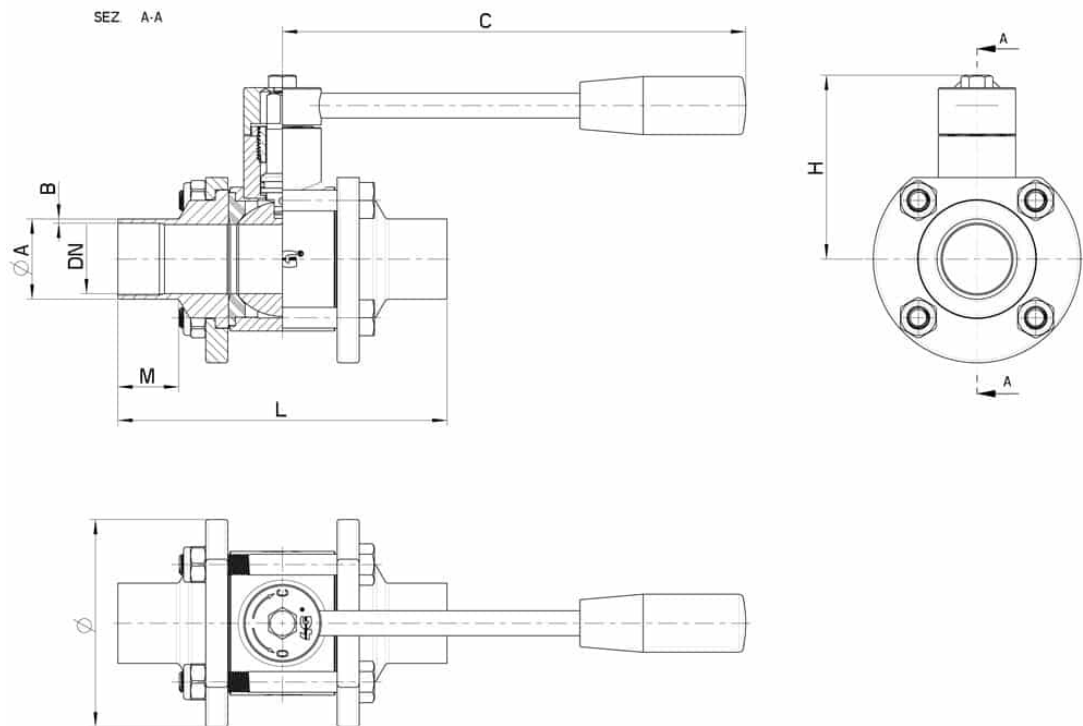
• Seals made of:

PTFE with glass -20°C+170°C

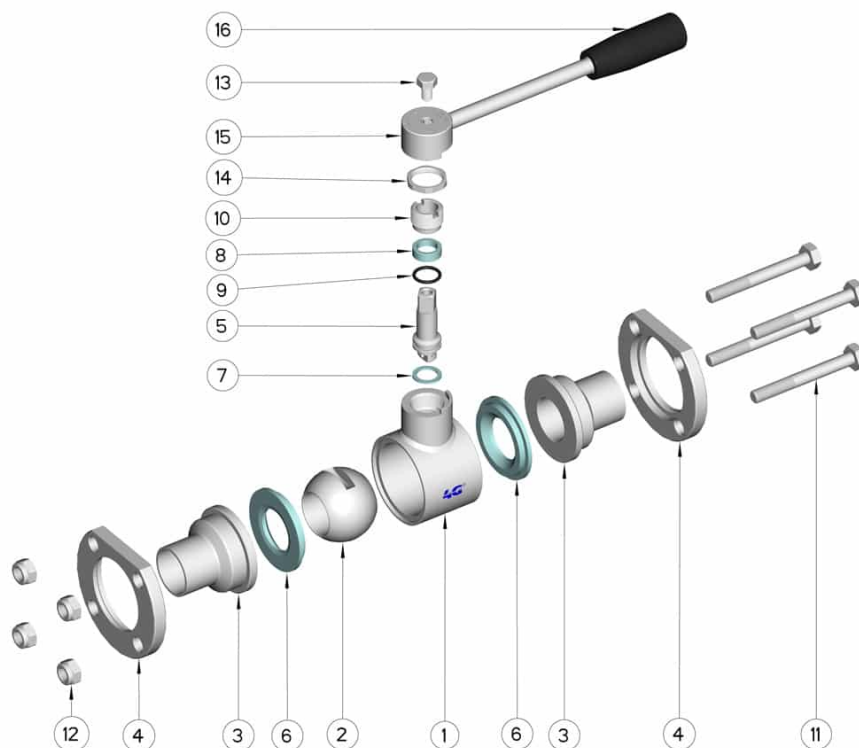
PTFE with carbographite -20°C+180°C

PTFE with inox -20°C+200°C

UHMW High-molecular weight polyethylene -20°C+80°C



| DN | L | C | H | M | ØA x B | Ø | Stay bolts | SERRAGGIO TIRANTI (Nm) | PN | Kg | COD. AISI 316L |
|-----|-----|-----|-----|----|--------------|-----|------------|------------------------|----|-------|----------------|
| 10 | 95 | 110 | 55 | 20 | 12,7 x 1,65 | 55 | 6 x 45 | 4 | 64 | 0,56 | 520142 6A710 |
| 15 | 95 | 110 | 55 | 20 | 19,05 x 1,65 | 55 | 6 x 45 | 4 | 64 | 0,56 | 520142 6B910 |
| 20 | 106 | 110 | 60 | 22 | 25,4 x 1,65 | 60 | 6 x 50 | 4 | 40 | -- | 520142 6D710 |
| 25 | 118 | 160 | 70 | 22 | 25,4 x 1,65 | 75 | 8 x 65 | 8 | 40 | 1,38 | 520142 6D810 |
| 32 | 126 | 160 | 80 | 23 | 38,1 x 1,65 | 85 | 8 x 70 | 10 | 25 | -- | 520142 6J910 |
| 40 | 145 | 190 | 95 | 25 | 38,1 x 1,65 | 100 | 10 x 90 | 12 | 25 | 2,94 | 520142 6K110 |
| 50 | 165 | 190 | 100 | 25 | 50,8 x 1,65 | 120 | 10 x 100 | 13 | 25 | 4,15 | 520142 6M810 |
| 65 | 191 | 235 | 110 | 27 | 63,5 x 1,65 | 140 | 10 x 120 | 20 | 25 | 7,14 | 520142 6R710 |
| 80 | 208 | 285 | 130 | 27 | 76,1 x 2 | 165 | 10 x 140 | 20 | 16 | 10,82 | 520142 6U710 |
| 100 | 230 | 310 | 150 | 27 | 101,6 x 2,11 | 200 | 12 x 170 | 22 | 16 | -- | 520142 6X410 |



| POS. | Denomination | PCS | MAT. |
|------|---------------------|-----|-----------------|
| 1 | Body | 1 | AISI 304L-316L |
| 2 | Ball | 1 | AISI 304L-316L |
| 3 | Sleeves | 2 | AISI 304L-316L |
| 4 | Flanges for sleeves | 2 | AISI 304L-316L |
| 5 | Stem | 2 | AISI 316L |
| 6 | Ball Seals | 2 | PTFE |
| 7 | Stem Seal | 1 | PTFE |
| 8 | Stem Seal | 1 | PTFE |
| 9 | Stem or-Seal | 1 | FKM |
| 10 | Register ring | 1 | AISI 304L (303) |
| 11 | Stay bolt | 4 | AISI 304L |
| 12 | Self-clamping nut | 4 | AISI 304L |
| 13 | SCREW | 1 | AISI 304L |
| 14 | Nut | 1 | AISI 304L |
| 15 | Lever | 1 | AISI 304L |
| 16 | Handle | 1 | DUROPLAST (PF) |

