

## 510130 FOR BS PIPE



TWO-way ball valve, Three Pieces

Drive: Inox lever

Connection: **CLAMP normative DIN 32676 TAB.4 REIHE C  
For TUBE according to normative BS/OD (ASTM A270)**

Flow: Full and reduced

Material: Aisi 316L (1.4404)

Measure: from 1/2" to 4"

Seals: Virgin P.T.F.E.

Operating temperature: -20°C+160°C

Outer finish: Polished

On request:

Antistatic device ATEX:

II 2G Ex h IIC T4 Gb

II 2D Ex h IIIC T135°C Db

M.O.C.A. CE 1935/2004

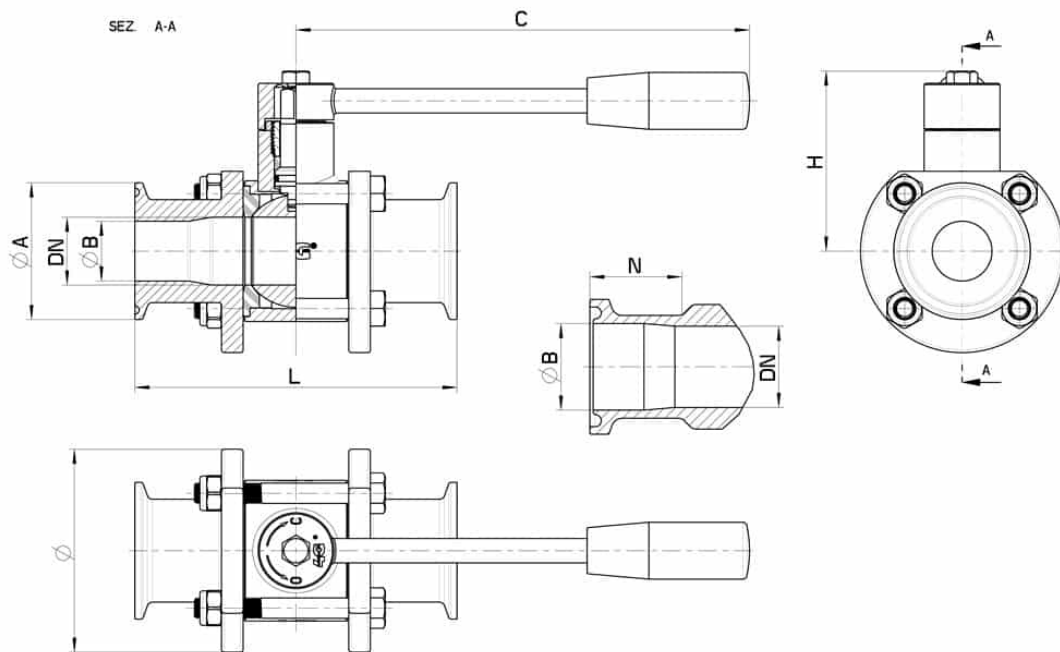
• Seals made of:

PTFE with glass -20°C+170°C

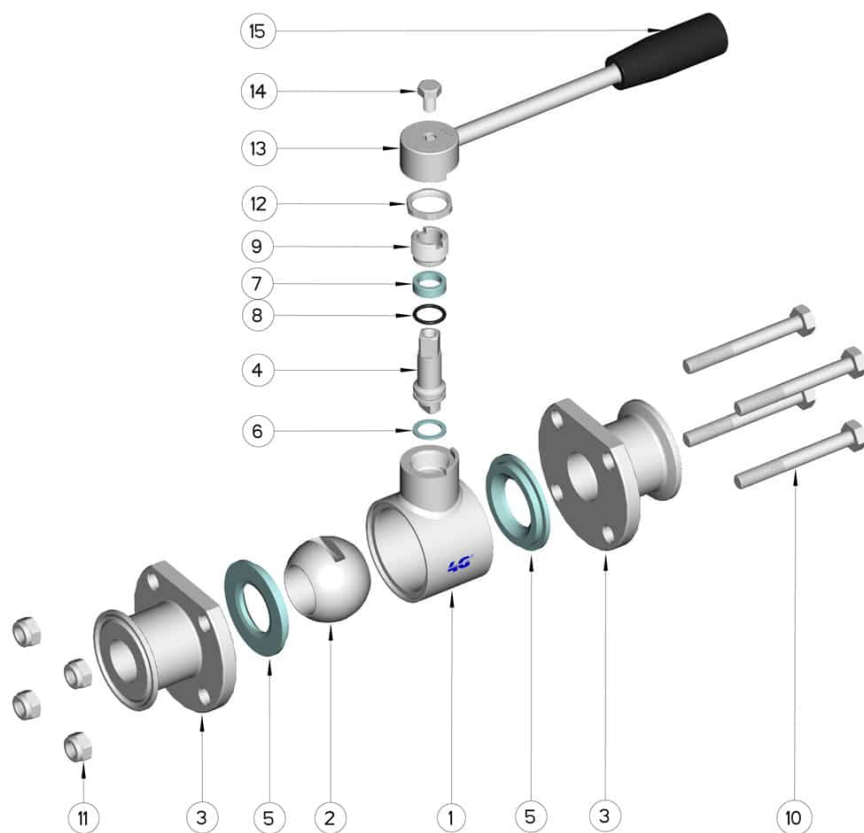
PTFE with carbographite -20°C+180°C

PTFE with inox -20°C+200°C

UHMW High-molecular weight polyethylene -20°C+80°C



CLAMP SERIE C DN/OD	DN	L	C	H	N	Ø	Ø A	Ø B	Stay bolts	SERRAGGIO TIRANTI (Nm)	PN	Kg	CODE AISI 316L
1/2"	10	95	110	55	19	55	25	9,4	6 x 45	4	64	-	510130 61210
3/4"	15	95	110	55	19	55	25	15,75	6 x 45	4	64	0,58	510130 61810
1"	20	106	110	60	19	60	50,5	22,1	6 x 50	4	40	-	510130 62410
1"	25	118	160	70	19	75	50,5	22,1	8 x 65	8	40	-	510130 62610
1" 1/2	32	126	160	80	19	85	50,5	34,8	8 x 70	10	25	1,78	510130 63210
1" 1/2	40	145	190	95	19	100	50,5	34,8	10 x 90	12	25	-	510130 63410
2"	50	165	190	100	19	120	64	47,5	10 x 100	13	25	-	510130 63810
2" 1/2	65	191	235	110	19	140	77,5	60,2	10 x 120	20	25	-	510130 64410
3"	80	208	285	130	27	165	91	72,9	10 x 140	20	16	-	510130 64810
4"	100	230	310	150	27	200	119	97,48	12 x170	22	16	-	510130 65410



POS.	Denomination	PCS	MAT.
1	Body	1	AISI 316L
2	Ball	1	AISI 316L
3	Sleeves	2	AISI 316L
4	Stem	1	AISI 316L
5	Ball Seals	2	PTFE
6	Stem Seal	1	PTFE
7	Stem Seal	1	PTFE
8	Stem or-Seal	1	FKM
9	Register ring	1	AISI 304L (303)
10	Stay bolt	4	AISI 304L
11	Self-clamping nut	4	AISI 304L
12	Nut	1	AISI 304L
13	Lever	1	AISI 304L
14	SCREW	1	AISI 304L
15	Handle	1	DUROPLAST (PF)

