

## 503042 STANDARD SEALS\_SCH80 BUTT WELDING



TWO-way ball valve, Three Pieces  
Drive: ISO 5211 - DIN 3337 flange for actuator  
Connection: Butt-welding  
Flow: Full  
Material: Aisi 316L (1.4404)  
Measure: from DN8 to DN100  
Seals: virgin P.T.F.E.  
Operating temperature: -20°C +170°C  
Outer finish: Sandblasted

On request:

Antistatic device ATEX:

II 2G Ex h IIC T4 Gb

II 2D Ex h IIC T135°C Db

M.O.C.A. CE 1935/2004

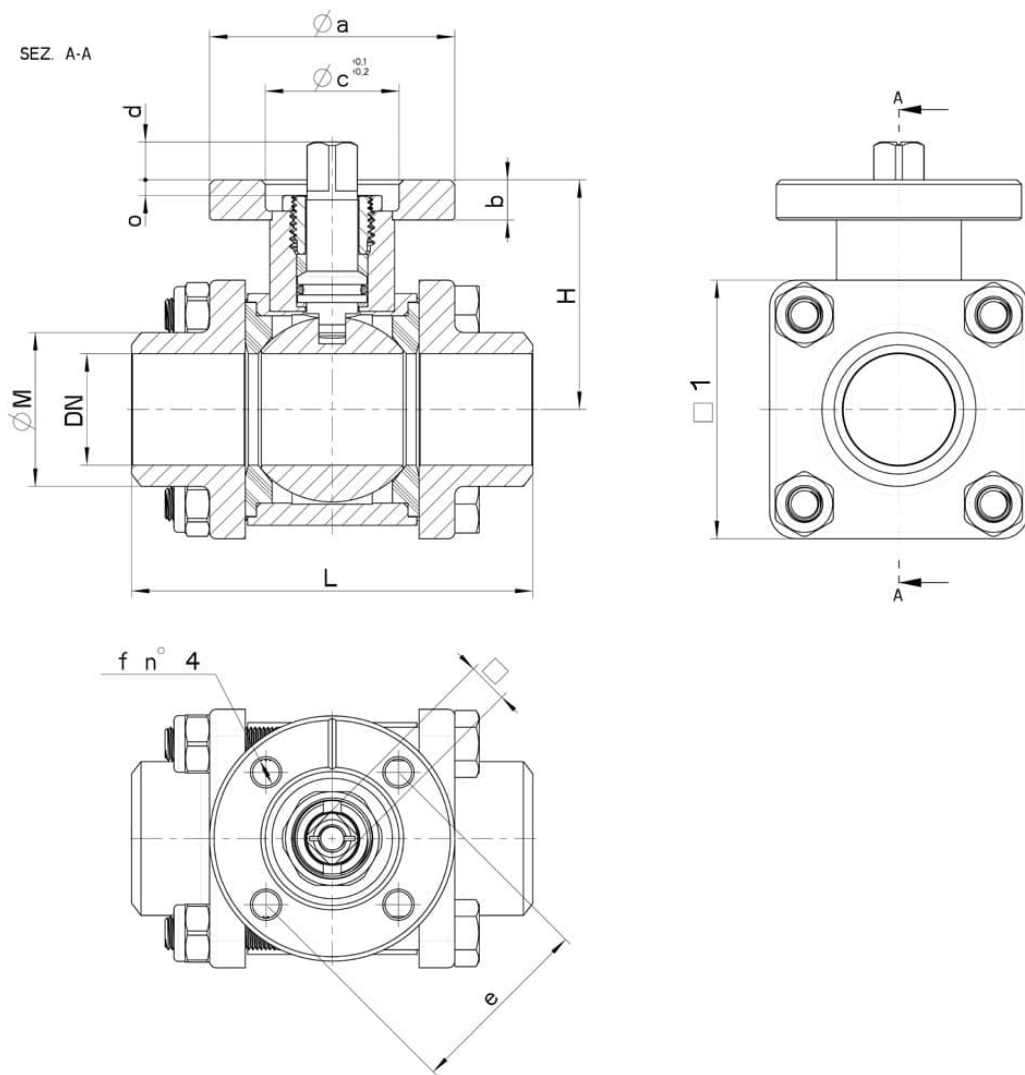
• Seals made of:

PTFE with glass -20°C+170°C

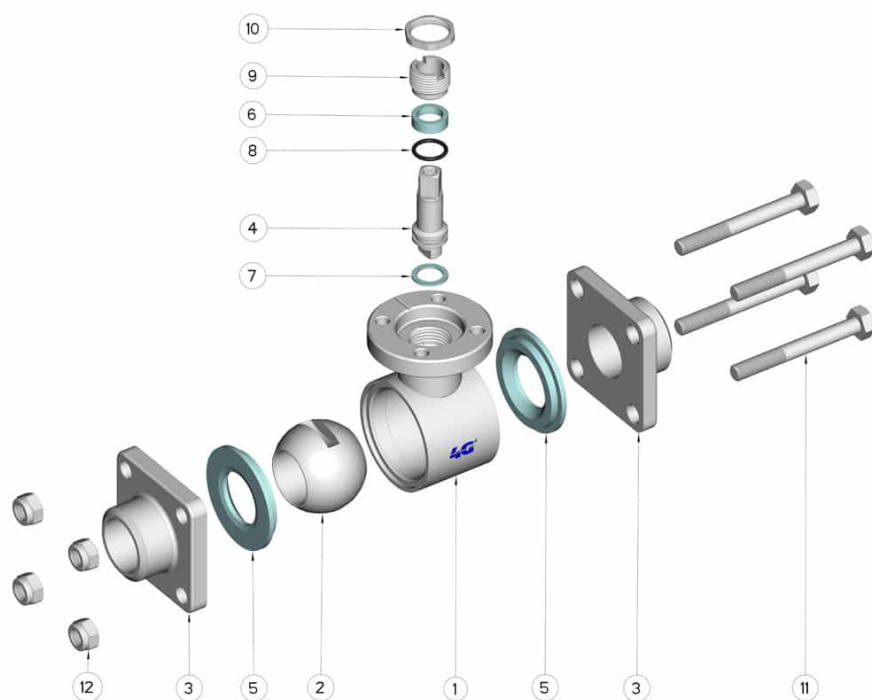
PTFE with carbographite -20°C+180°C

PTFE with inox -20°C+200°C

UHMW High-molecular weight polyethylene -20°C+80°C



| DN  | L   | H    | ØM   | □1    | Stay bolts | SERRAGGIO TIRANTI (Nm) | PN | Kg   | ISO-DIN | Ø a | b  | Ø c x o | □  | d  | e   | f  | n° 4 Bolts | Nm * | CODE AISI 316L |
|-----|-----|------|------|-------|------------|------------------------|----|------|---------|-----|----|---------|----|----|-----|----|------------|------|----------------|
| 8   | 70  | 41,5 | 14   | 40    | 6 x 45     | 4                      | 64 | 0,40 | F.03    | 46  | 9  | 25x3    | 9  | 8  | 36  | 6  | M5x14      | 7    | 503042 60410   |
| 8   | 70  | 41,5 | 14   | 40    | 6 x 45     | 4                      | 64 | 0,44 | F.04    | 54  | 9  | 30x3    | 11 | 10 | 42  | 6  | M5x16      | 7    | 503042 6041F   |
| 10  | 70  | 41,5 | 18   | 40    | 6 x 45     | 4                      | 64 | 0,41 | F.03    | 46  | 9  | 25x3    | 9  | 8  | 36  | 6  | M5x14      | 7    | 503042 60810   |
| 10  | 70  | 41,5 | 18   | 40    | 6 x 45     | 4                      | 64 | 0,45 | F.04    | 54  | 9  | 30x3    | 11 | 10 | 42  | 6  | M5x16      | 7    | 503042 6081F   |
| 15  | 70  | 41,5 | 22,5 | 40    | 6 x 45     | 4                      | 64 | 0,42 | F.03    | 46  | 9  | 25x3    | 9  | 8  | 36  | 6  | M5x14      | 7    | 503042 61410   |
| 15  | 70  | 41,5 | 22,5 | 40    | 6 x 45     | 4                      | 64 | 0,46 | F.04    | 54  | 9  | 30x3    | 11 | 10 | 42  | 6  | M5x16      | 7    | 503042 6141F   |
| 20  | 80  | 45   | 28   | 45    | 6 x 50     | 4                      | 40 | 0,55 | F.03    | 46  | 9  | 25x3    | 9  | 8  | 36  | 6  | M5x14      | 10   | 503042 62010   |
| 20  | 80  | 45   | 28   | 45    | 6 x 50     | 4                      | 40 | 0,59 | F.04    | 54  | 9  | 30x3    | 11 | 10 | 42  | 6  | M5x14      | 10   | 503042 6201F   |
| 25  | 90  | 51,5 | 34,5 | 60    | 8 x 65     | 8                      | 40 | 1,07 | F.04    | 54  | 9  | 30x3    | 11 | 10 | 42  | 6  | M5x16      | 18   | 503042 62610   |
| 25  | 90  | 51,5 | 34,5 | 60    | 8 x 65     | 8                      | 40 | 1,21 | F.05    | 65  | 9  | 35x3    | 14 | 13 | 50  | 7  | M6x16      | 18   | 503042 6261F   |
| 32  | 100 | 56,5 | 43,5 | 70    | 8 x 70     | 10                     | 25 | 1,43 | F.04    | 54  | 9  | 30x3    | 11 | 10 | 42  | 6  | M5x16      | 20   | 503042 63010   |
| 32  | 100 | 56,5 | 43,5 | 70    | 8 x 70     | 10                     | 25 | 1,60 | F.05    | 65  | 9  | 35x3    | 14 | 13 | 50  | 7  | M6x16      | 20   | 503042 6301F   |
| 40  | 114 | 74   | 49,5 | 80    | 10 x 90    | 12                     | 25 | 2,33 | F.05    | 65  | 12 | 35x4    | 14 | 13 | 50  | 7  | M6x20      | 25   | 503042 63410   |
| 40  | 114 | 74   | 49,5 | 80    | 10 x 90    | 12                     | 25 | 2,50 | F.07    | 90  | 12 | 55x4    | 17 | 15 | 70  | 9  | M8x20      | 25   | 503042 6341F   |
| 50  | 136 | 82   | 61,5 | 90    | 10 x 100   | 13                     | 25 | 2,58 | F.05    | 65  | 12 | 35x4    | 14 | 13 | 50  | 7  | M6x20      | 35   | 503042 63810   |
| 50  | 136 | 82   | 61,5 | 90    | 10 x 100   | 13                     | 25 | 2,70 | F.07    | 90  | 12 | 55x4    | 17 | 15 | 70  | 9  | M8x20      | 35   | 503042 6381F   |
| 65  | 151 | 94,5 | 76   | Ø 140 | 10 x 120   | 20                     | 25 | -    | F.07    | 90  | 12 | 55x4    | 17 | 15 | 70  | 9  | M8x20      | 45   | 503042 64410   |
| 65  | 151 | 94,5 | 76   | Ø 140 | 10 x 120   | 20                     | 25 | -    | F.10    | 125 | 12 | 70x4    | 22 | 18 | 102 | 11 | M10x25     | 45   | 503042 6441F   |
| 80  | 172 | 106  | 91   | Ø 165 | 10 x 140   | 20                     | 16 | -    | F.07    | 90  | 12 | 55x4    | 17 | 15 | 70  | 9  | M8x20      | 60   | 503042 64810   |
| 80  | 172 | 106  | 91   | Ø 165 | 10 x 140   | 20                     | 16 | -    | F.10    | 125 | 12 | 70x4    | 22 | 18 | 102 | 11 | M10x25     | 60   | 503042 6481F   |
| 100 | 200 | 120  | 116  | Ø 200 | 12 x 170   | 22                     | 16 | -    | F.07    | 90  | 12 | 55x4    | 17 | 15 | 70  | 9  | M8x20      | 90   | 503042 65410   |
| 100 | 200 | 120  | 116  | Ø 200 | 12 x 170   | 22                     | 16 | -    | F.10    | 125 | 12 | 70x4    | 22 | 18 | 102 | 11 | M10x25     | 90   | 503042 6541F   |



| POS. | Denomination      | PCS | MAT.            |
|------|-------------------|-----|-----------------|
| 1    | Body              | 1   | AISI 316L       |
| 2    | Ball              | 1   | AISI 316L       |
| 3    | Sleeves           | 2   | AISI 316L       |
| 4    | Stem              | 1   | AISI 316L       |
| 5    | Ball Seals        | 2   | PTFE            |
| 6    | Stem Seal         | 1   | PTFE            |
| 7    | Stem Seal         | 1   | PTFE            |
| 8    | Stem or-Seal      | 1   | FKM             |
| 9    | Register ring     | 1   | AISI 304L (303) |
| 10   | Locknut           | 1   | AISI 303        |
| 11   | Stay bolt         | 4   | AISI 304L       |
| 12   | Self-clamping nut | 4   | AISI 304L       |

