

503040 STANDARD SEALS_SOCKET WELDING



TWO-way ball valve, Three Pieces
Drive: ISO 5211 - DIN 3337 flange for actuator
Connection: Socket-welding
Flow: Full
Material: Aisi 316L (1.4404)
Measure: from DN8 to DN100
Seals: Virgin P.T.F.E.
Operating temperature: -20°C+160°C
Outer finish: Sandblasted

On request:

Antistatic device ATEX:

II 2G Ex h IIC T4 Gb

II 2D Ex h IIC T135°C Db

M.O.C.A. CE 1935/2004

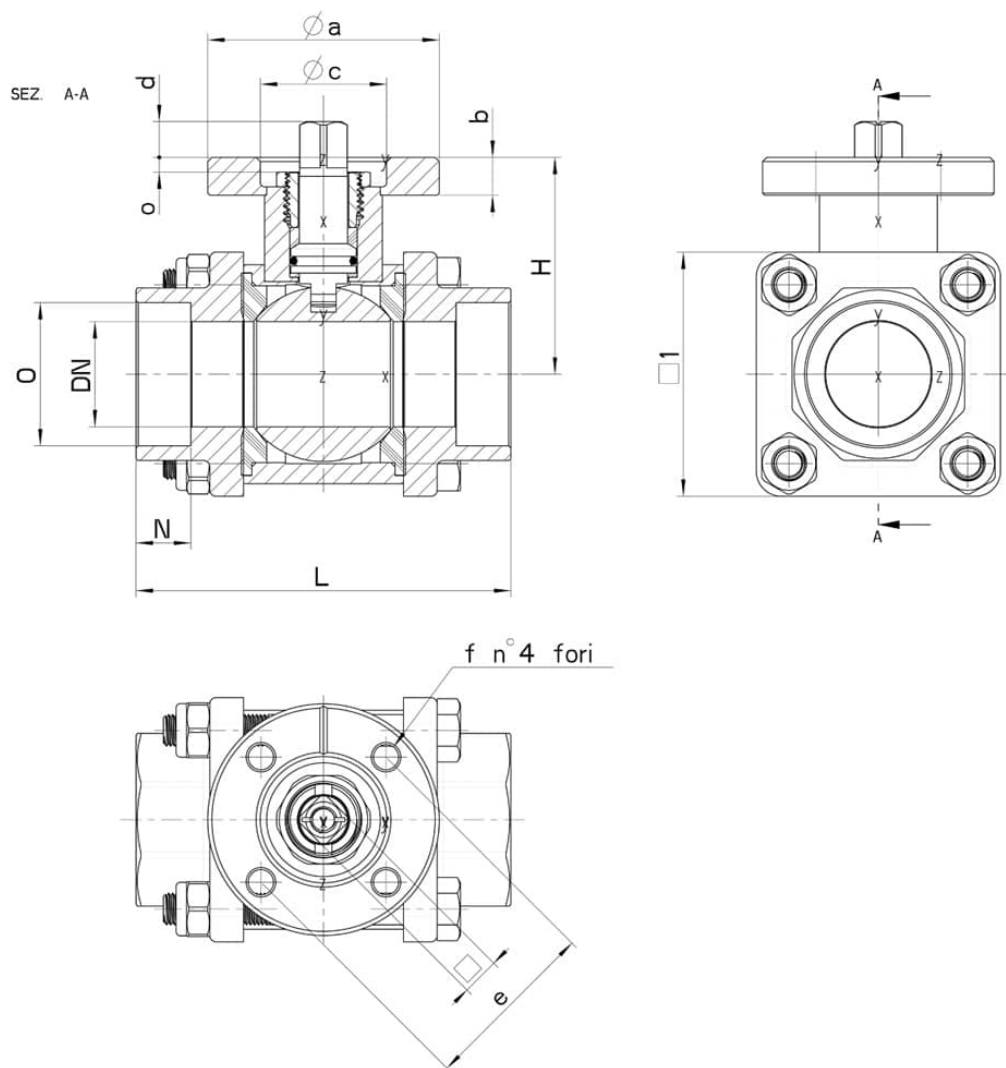
• Seals made of:

PTFE with glass -20°C+170°C

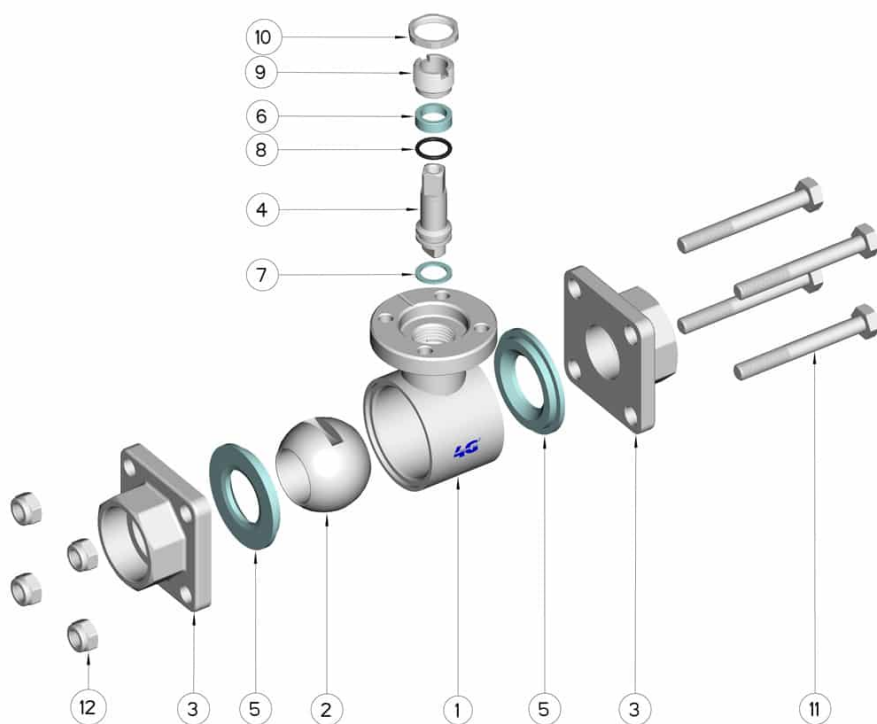
PTFE with carbographite -20°C+180°C

PTFE with inox -20°C+200°C

UHMW High-molecular weight polyethylene -20°C+80°C



DN	L	H	N	Ø O	□ 1	Stay bolts	SERRAGGIO TIRANTI (Nm)	PN	ISO-DIN	Ø a	b	Ø c x o	□	d	e	f	n° 4 Bolts	Nm	Kg	CODICE AISI_316
8	70	41,5	10	14	40	6 x 45	4	64	F.03	46	9	25x3	9	8	36	6	M5x14	7	0,48	503040 60410
8	70	41,5	10	14	40	6 x 45	4	64	F.04	54	9	30x3	11	10	42	6	M5x16	7	0,52	503040 6041F
10	70	41,5	10	17,8	40	6 x 45	4	64	F.03	46	9	25x3	9	8	36	6	M5x14	7	0,45	503040 60810
10	70	41,5	10	17,8	40	6 x 45	4	64	F.04	54	9	30x3	11	10	42	6	M5x16	7	0,49	503040 6081F
15	70	41,5	10	22	40	6 x 45	4	64	F.03	46	9	25x3	9	8	36	6	M5x14	7	0,41	503040 61410
15	70	41,5	10	22	40	6 x 45	4	64	F.04	54	9	30x3	11	10	42	6	M5x16	7	0,46	503040 6141F
20	80	45	13	27,3	45	6 x 50	4	40	F.03	46	9	25x3	9	8	36	6	M5x14	10	0,61	503040 62010
20	80	45	13	27,3	45	6 x 50	4	40	F.04	54	9	30x3	11	10	42	6	M5x14	10	0,65	503040 6201F
25	90	51,5	13	34	60	8 x 65	8	40	F.04	54	9	30x3	11	10	42	6	M5x16	18	1,08	503040 62610
25	90	51,5	13	34	60	8 x 65	8	40	F.05	65	9	35x3	14	13	50	7	M6x16	18	1,23	503040 6261F
32	100	56,5	13	42,8	70	8 x 70	10	25	F.04	54	9	30x3	11	10	42	6	M5x16	20	1,50	503040 63010
32	100	56,5	13	42,8	70	8 x 70	10	25	F.05	65	9	35x3	14	13	50	7	M6x16	20	1,67	503040 6301F
40	114	74	13	48,9	80	10 x 90	12	25	F.05	65	12	35x4	14	13	50	7	M6x20	25	2,31	503040 63410
40	114	74	13	48,9	80	10 x 90	12	25	F.07	90	12	55x4	17	15	70	9	M8x20	25	2,48	503040 6341F
50	136	82	16	61,4	90	10 x 100	13	25	F.05	65	12	35x4	14	13	50	7	M6x20	35	3,54	503040 63810
50	136	82	16	61,4	90	10 x 100	13	25	F.07	90	12	55x4	17	15	70	9	M8x20	35	3,70	503040 6381F
65	152	94,5	16	76,5 (74.2)	Ø 140	10 x 120	20	25	F.07	90	12	55x4	17	15	70	9	M8x20	45	-	503040 64410
65	152	94,5	16	76,5 (74.2)	Ø 140	10 x 120	20	25	F.10	125	12	70x4	22	18	102	11	M10x25	45	-	503040 6441F
80	172	106	16	90,2	Ø 165	10 x 140	20	16	F.07	90	12	55x4	17	15	70	9	M10x25	60	-	503040 64810
80	172	106	16	90,2	Ø 165	10 x 140	20	16	F.10	125	12	70x4	22	18	102	11	M10x25	60	-	503040 6481F
100	200	120	19	115,8	Ø 200	12 x 170	22	16	F.07	90	12	55x4	17	15	70	9	M10x25	90	-	503040 65410
100	200	120	19	115,8	Ø 200	12 x 170	22	16	F.10	125	12	70x4	22	18	102	11	M10x25	90	-	503040 6541F



POS.	Denomination	PCS	MAT.
1	Body	1	AISI 316L
2	Ball	1	AISI 316L
3	Sleeves	2	AISI 316L
4	Stem	1	AISI 316L
5	Ball Seals	2	PTFE
6	Stem Seal	1	PTFE
7	Stem Seal	1	PTFE
8	Stem or-Seal	1	FKM
9	Register ring	1	AISI 304L (303)
10	Locknut	1	AISI 303
11	Stay bolt	4	AISI 304L
12	Self-clamping nut	4	AISI 304L

