

500142 STANDARD SEALS_SCH80 BUTT WELDING



TWO-way ball valve, Three Pieces

Drive: Inox lever

Connection: Butt-welding

Flow: Full

Material: Aisi 316L (1.4404)

Measure: from DN8 to DN100

Seals: virgin P.T.F.E.

Operating temperature: -20°C +170°C

Outer finish: Sandblasted

On request:

Antistatic device ATEX:

II 2G Ex h IIC T4 Gb

II 2D Ex h IIIC T135°C Db

M.O.C.A. CE 1935/2004

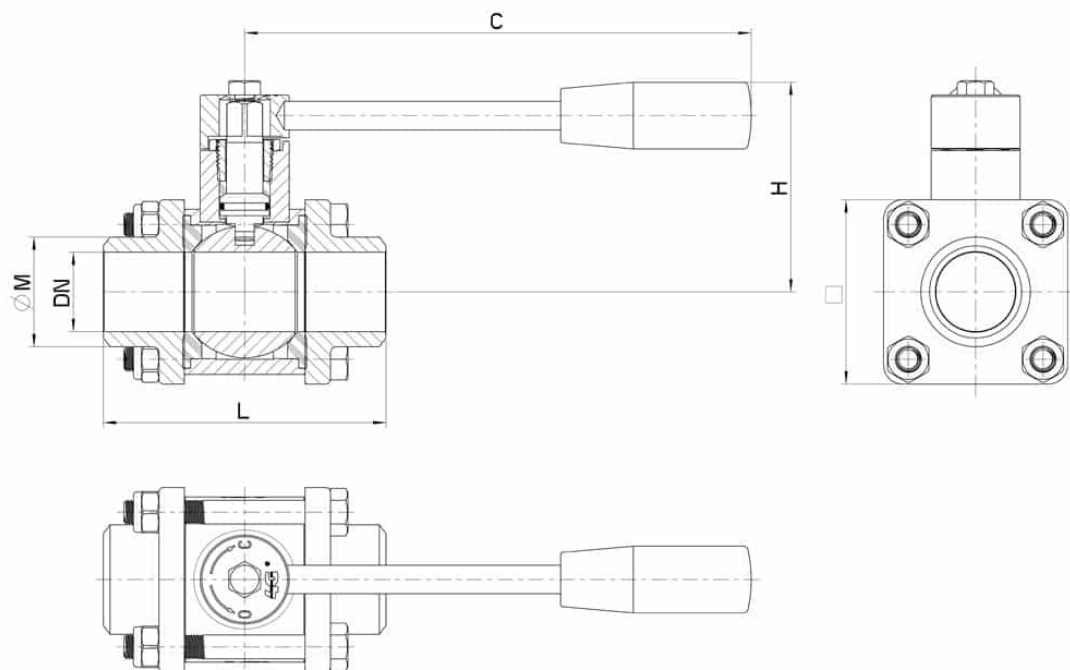
• Seals made of:

PTFE with glass -20°C+170°C

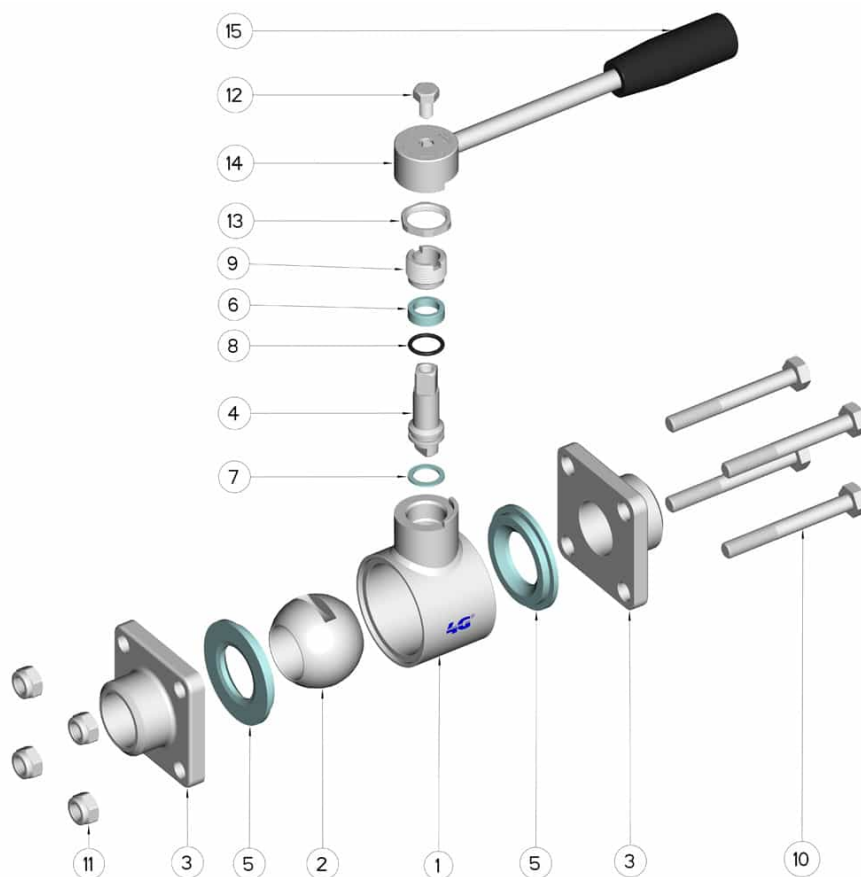
PTFE with carbographite -20°C+180°C

PTFE with inox -20°C+200°C

UHMW High-molecular weight polyethylene -20°C+80°C



DN	L	C	H	ØM	□	Stay bolts	SERRAGGIO TIRANTI (Nm)	PN	Kg	COD. AISI 316L
8	70	110	55	14	40	6 x 45	4	64	0,38	500142 60410
10	70	110	55	18	40	6 x 45	4	64	0,38	500142 60810
15	70	110	55	22,5	40	6 x 45	4	64	0,40	500142 61410
20	80	110	60	28	45	6 x 50	4	40	0,54	500142 62010
25	90	160	70	34,5	60	8 x 65	8	40	1,08	500142 62610
32	100	160	80	43,5	70	8 x 70	10	25	1,44	500142 63010
40	114	190	95	49,5	80	10 x 90	12	25	2,33	500142 63410
50	136	190	100	61,5	90	10 x 100	13	25	3,56	500142 63810
65	151	235	110	76	Ø 140	10 x 120	20	25	--	500142 64410
80	172	285	130	91	Ø 165	10 x 140	20	16	--	500142 64810
100	200	310	150	116	Ø 200	12 X 170	22	16	--	500142 65410



POS.	Denomination	PCS	MAT.
1	Body	1	AISI 316L
2	Ball	1	AISI 316L
3	Sleeves	2	AISI 316L
4	Stem	1	AISI 316L
5	Ball Seals	2	PTFE
6	Stem Seal	1	PTFE
7	Stem Seal	1	PTFE
8	Stem or-Seal	1	FKM
9	Register ring	1	AISI 304L (303)
10	Stay bolt	4	AISI 304L
11	Self-clamping nut	4	AISI 304L
12	SCREW	1	AISI 304L
13	Locknut	1	AISI 304L
14	Lever	1	AISI 304L
15	Handle	1	DUROPLAST (PF)

