

500104 STANDARD SEALS - F NPT



TWO-way ball valve, Three Pieces
Drive: Inox lever
Connection: NPT female/female thread
Flow: Full
Material: Aisi 316L (1.4404)
Measure: from 1/4" to 4"
Seals: Virgin P.T.F.E.
Operating temperature: -20°C+160°C
Outer finish: Sandblasted

On request:

Antistatic device ATEX:

II 2G Ex h IIC T4 Gb

II 2D Ex h IIIC T135°C Db

M.O.C.A. CE 1935/2004

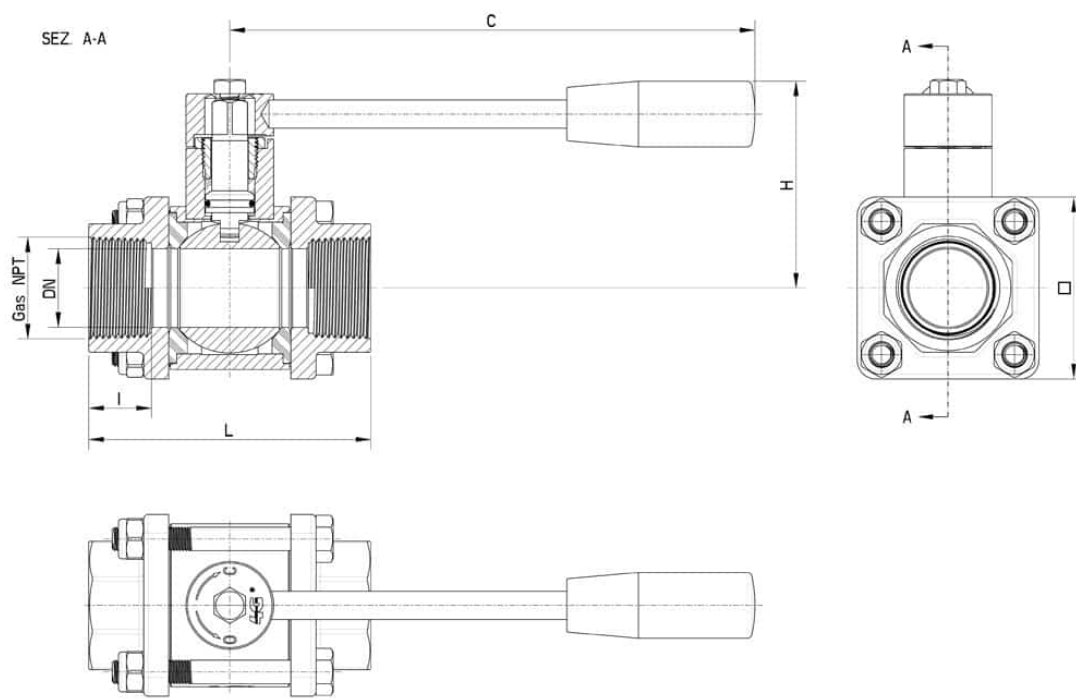
• Seals made of:

PTFE with glass -20°C+170°C

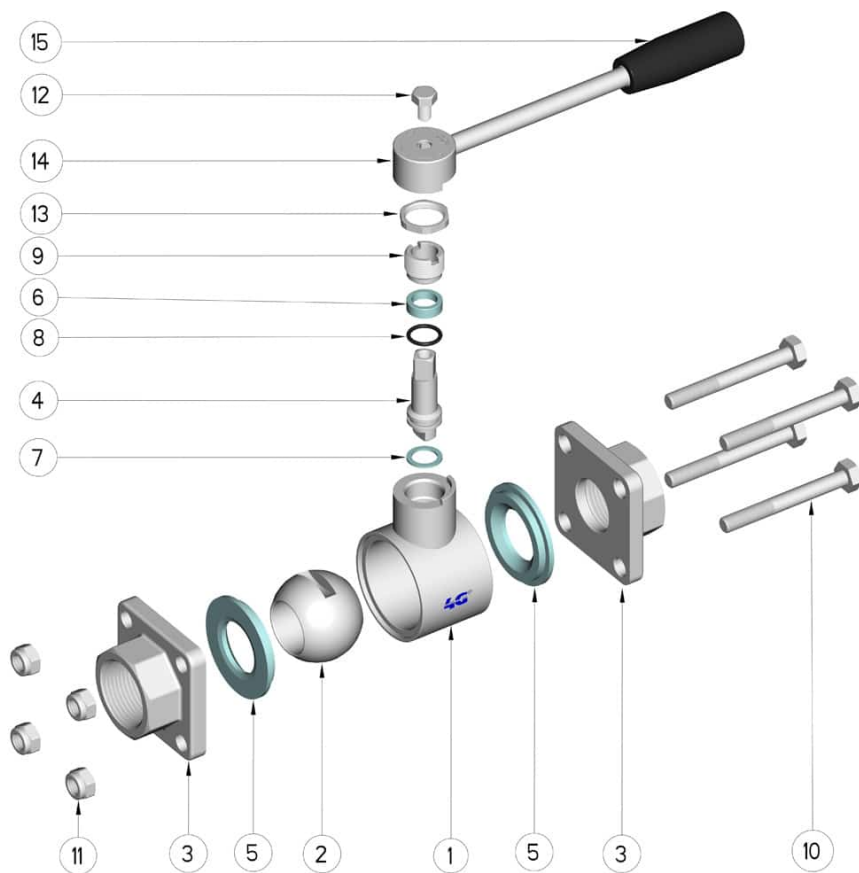
PTFE with carbographite -20°C+180°C

PTFE with inox -20°C+200°C

UHMW High-molecular weight polyethylene -20°C+80°C



G (NPT)	DN	L	I	C	H	□	Stay bolts	SERRAGGIO TIRANTI (Nm)	PN	Kg	CODE AISI 316L
1/4"	8	70	13	110	55	40	6 x 45	4	64	0,45	500104 60410
3/8"	10	70	13	110	55	40	6 x 45	4	64	0,43	500104 60810
1/2"	15	70	16	110	55	40	6 x 45	4	64	0,40	500104 61410
3/4"	20	80	18	110	60	45	6 x 50	4	40	0,60	500104 62010
1"	25	90	19	160	70	60	8 x 65	8	40	1,08	500104 62610
1"1/4	32	100	20	160	80	70	8 x 70	10	25	1,36	500104 63010
1"1/2	40	114	20	190	95	80	10 x 90	12	25	2,28	500104 63410
2"	50	136	20	190	100	90	10 x 100	13	25	3,47	500104 63810
2"1/2	65	152	26	235	110	Ø 140	10 x 120	20	25	7,48	500104 64410
3"	80	172	28	285	130	Ø 165	10 x 140	20	16	10,740	500104 64810
4"	100	200	30	310	150	Ø 200	12 X 170	22	16	--	500104 65410



POS.	Denomination	PCS	MAT.
1	Body	1	AISI 316L
2	Ball	1	AISI 316L
3	Sleeves	2	AISI 316L
4	Stem	1	AISI 316L
5	Ball Seals	2	PTFE
6	Stem Seal	1	PTFE
7	Stem Seal	1	PTFE
8	Stem or-Seal	1	FKM
9	Register ring	1	AISI 304L (303)
10	Stay bolt	4	AISI 304L
11	Self-clamping nut	4	AISI 304L
12	SCREW	1	AISI 304L
13	Ring nut	1	AISI 304L
14	Lever	1	AISI 304L
15	Handle	1	DUROPLAST (PF)

