

413050E HEATING JACKET - STANDARD SEALS - THREADED HOLES FOR UNI EN 1092-1



TWO-way ball valve, FLAT BODY with CONTAINED BALL AND HEATING JACKET from bar

Drive: ISO 5211 flange for actuator

Connection: threaded holes for UNI EN 1092-1 for flanges PN 10-40

Flow: Full

Material: Aisi 316L (1.4404)

Measure: from DN15 to DN100

Modified Virgin P.T.F.E.

Operating temperature: -20°C+170°C

Antistatic device ATEX:

II 2G Ex h IIC T4 Gb

II 2D Ex h IIIC T135°C Db

* MOUNTING KIT NEEDED Art. 747540 OR LEVER Art. 9354112

On request

M.O.C.A. CE 1935/2004

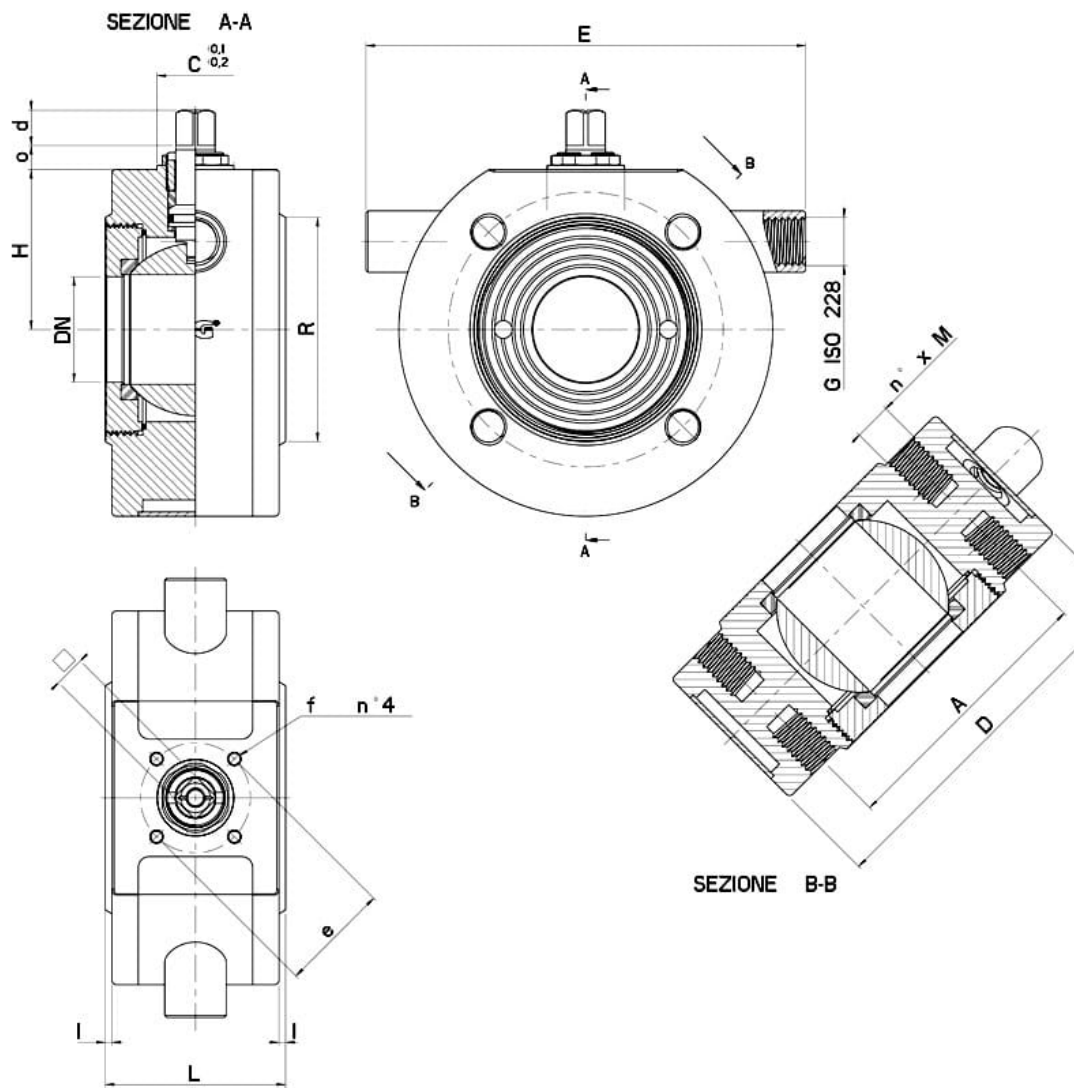
• Seals made of:

PTFE with glass -20°C+170°C

PTFE with carbographite -20°C+180°C

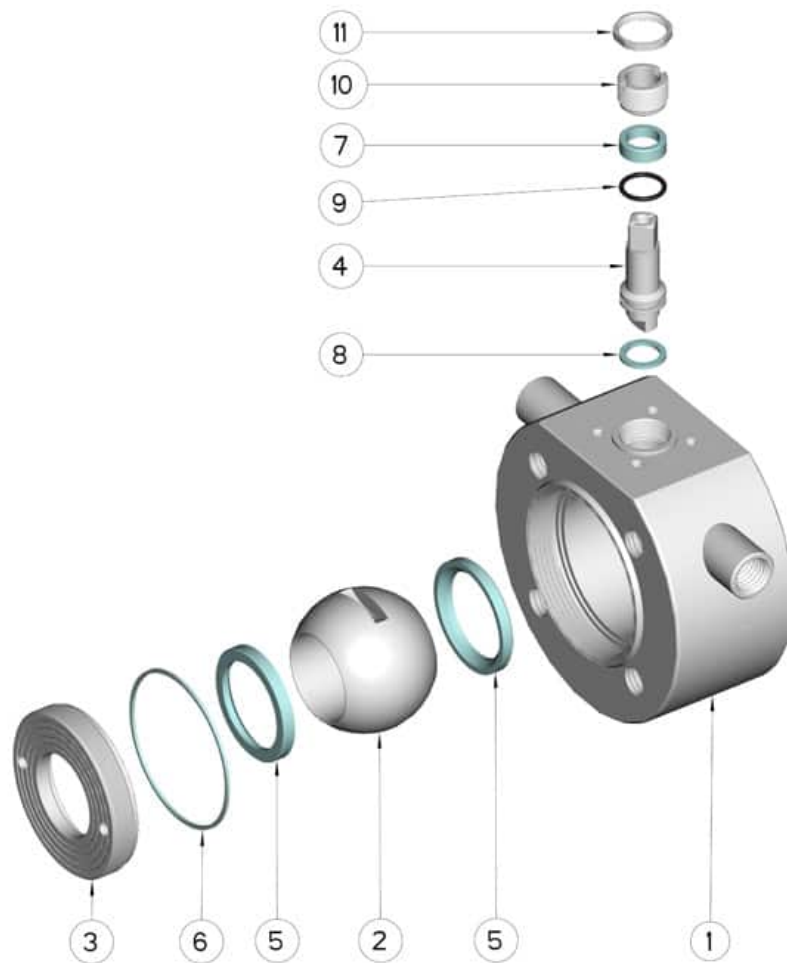
PTFE with inox -20°C+200°C

UHMW High-molecular weight polyethylene -20°C+80°C



DN	L	H	D	I	R	E	G	A	n° x M	PN	ISO-DIN	Ø c	d	o	□	e	f	Nm *	Kg	CODE AISI 316L
* 15	35	36	95	1,5	46	120	1/4"	65	4 x M12	40	F.03	25	10	7	9	36	M.5	8	-	413050E61410
* 20	38	41,7	105	1	58	128	3/8"	75	4 x M12	40	F.04	30	11	6,5	11	42	M.5	12	-	413050E62010
* 25	42	41,7	115	2	68	140	3/8"	85	4 x M12	40	F.04	30	11	6,5	11	42	M.5	15	-	413050E62610
* 32	54	60	140	2	78	176	1/2"	100	4 x M16	40	F.05	35	16	11	14	50	M.6	18	4,95	413050E63010
* 40	66	65,5	154	3	88	186	1/2"	110	4 x M16	40	F.05	35	16	11	14	50	M.6	25	-	413050E63410
* 50	82	72,7	170	3	102	200	1/2"	125	4 x M16	40	F.05	35	16	11	14	50	M.6	30	10,40	413050E63810
* 65	103	80,5	190	3	122	210	1/2"	145	4 x M16	16	F.07	40	18	11	17	70	M.8	45	-	413050E64410
* 65	103	80,5	190	3	122	210	1/2"	145	8 x M16	40	F.07	40	18	11	17	70	M.8	45	-	413052E64410
* 80	124	92	210	3	138	220	1/2"	160	8 x M16	25	F.07	40	18	11	17	70	M.8	85	23,74	413050E64810
* 100	152	112	220	3	160	232	1/2"	180	8 x M16	16	F.10	-	19	4	17	102	M.10	90	-	413050E65410

* MOUNTING KIT NEEDED Art. 747540 or LEVER Art. 9354112



POS.	Denomination	PCS	MAT.
1	Body	1	AISI 316L
2	Ball	1	AISI 316L
3	Ring nut	1	AISI 316L
4	Stem	1	AISI 316L
5	Ball Seals	2	PTFE Vergine Modificato
6	Ring Seal	1	PTFE
7	Stem Seal	1	PTFE
8	Stem Seal	1	PTFE
9	Stem or-Seal	1	FKM
10	Register ring	1	AISI 304L (303)
11	Locknut	1	AISI 303

