

403050C HEATING JACKET_STANDARD SEALS_THREADED HOLES FOR UNI EN 1092-1



TWO-way ball valve, Flat Body with HEATING JACKET from bar machined

Drive: ISO 5211 flange for actuator

Connection: Threaded holes for UNI EN 1092-1

Flow: Full

Material: Aisi 304L (1.4307) – Aisi 316L (1.4404)

Measure: from DN15 to DN100

Seals: Modified Virgin P.T.F.E.

Operating temperature: -20°C+170°C

*MOUNTING KIT NEEDED Art. 747540

On request:

Antistatic device ATEX:

II 2G Ex h IIC T4 Gb

II 2D Ex h IIIC T135°C Db

M.O.C.A. CE 1935/2004

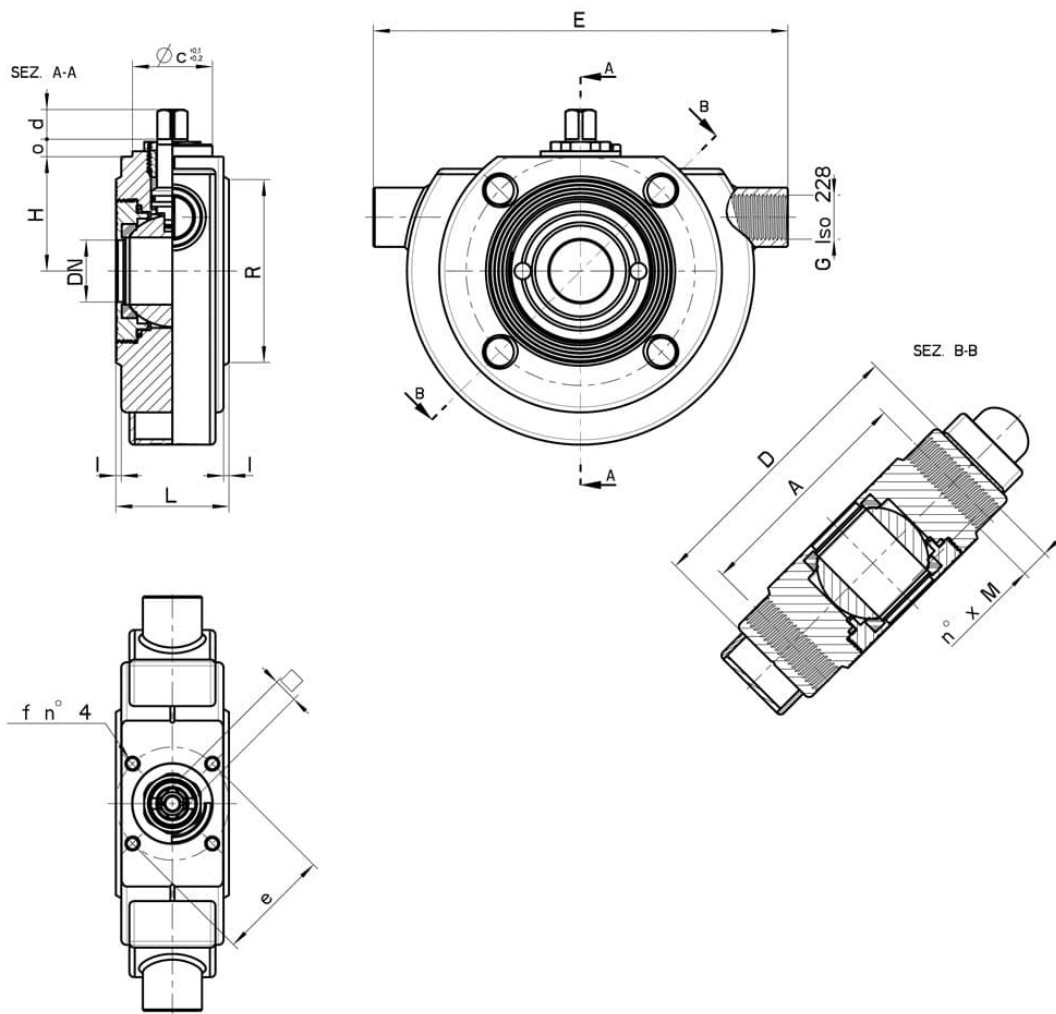
• Seals made of:

PTFE with glass -20°C+170°C

PTFE with carbographite -20°C+180°C

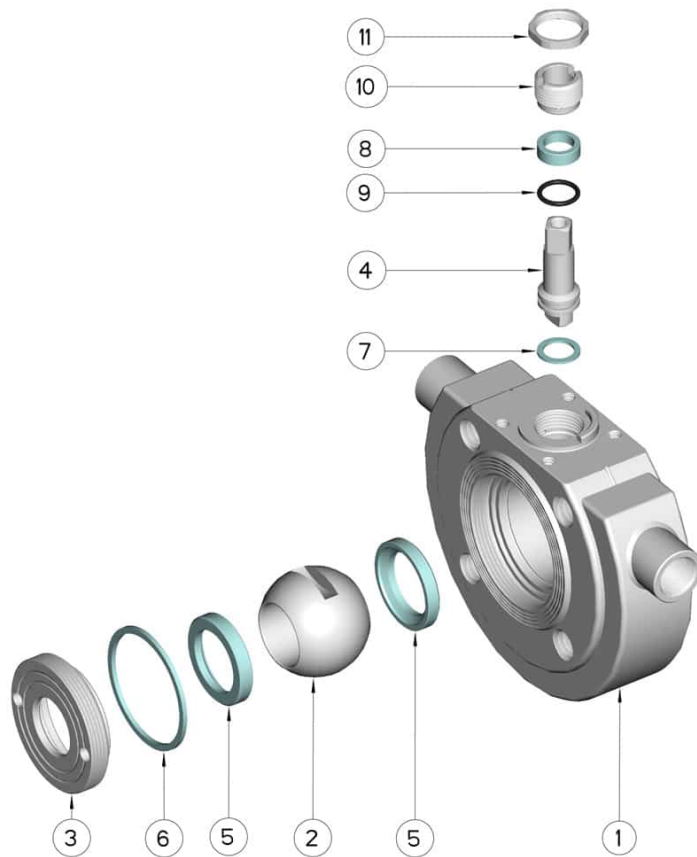
PTFE with inox -20°C+200°C

UHMW High-molecular weight polyethylene -20°C+80°C



DN	L	H	D	E	G	I	R	A	n° x M	PN	Kg	ISO-DIN	Ø c	d	o	□	e	f	Nm	CODE AISI 304L	CODE AISI 316L
15*	35	32.5	90	140	1/4"	1.5	45	65	4 x M12	40	1.56	F.03	24	10	-	6/9	36	M.5	8	-	403050C61410
20*	38	40	100	154	3/8"	1	58	75	4 x M12	40	2.17	F.04	29,7	11	-	9/11	42	M.5	12	-	403050C62010
25*	42	42.5	105	154	3/8"	2	68	85	4 x M12	40	2.54	F.04	29,7	11	-	9/11	42	M.5	15	-	403050C62610
32*	50	57.5	130	192	1/2"	2	78	100	4 x M16	40	4.68	F.05	34,7	16	-	14	50	M.6	18	-	403050C63010
40*	60	62	140	204	1/2"	3	88	110	4 x M16	40	6.21	F.05	34,7	16	-	14	50	M.6	25	-	403050C63410
50*	72	70	154	223	1/2"	3	102	125	4 x M16	40	9.06	F.05	34,7	16	-	14	50	M.6	30	-	403050C63810
65*	95	80.5	180	230	1/2"	3	122	145	4 x M16	16	15.56	F.07	40	18	-	17	70	M.8	45	403050C44410	403050C64410
80*	118	92	199	244	1/2"	3	138	160	8 x M16	16	22.76	F.07	40	18	-	17	70	M.8	85	403050C44810	403050C64810
100*	152	101	220	260	1/2"	3	158	180	8 x M16	16	40.6	F.10	42	13,5	34	17	102	M.10	90	403050C45410	403050C65410

* MOUNTING KIT NEEDED Art. 747540 or LEVER Art. 9354112



POS.	Denomination	PCS	MAT.
1	Body	1	AISI 304L - AISI 316L
2	Ball	1	AISI 304L - AISI 316L
3	Ring nut	1	AISI 304L - AISI 316L
4	Stem	1	AISI 304L - AISI 316L
5	Ball Seals	2	PTFE Vergine Modificato
6	Ring Seal	1	PTFE
7	Stem Seal	1	PTFE
8	Stem Seal	1	PTFE
9	Stem or-Seal	1	FKM
10	Register ring	1	AISI 304L (303)
11	Locknut		AISI 303

