

## 400155 STANDARD SEALS\_CLASS 150



TWO-way ball valve, Flat Body

Drive: Inox lever

Connection: Threaded holes for EN 1759-1 CLASS 150 (exANSI 150)

Flow: Full

Material: Aisi 316L (1.4404)

Measure: from DN15 to DN100

Seals: Modified Virgin P.T.F.E.

Operating temperature: -20°C+170°C

On request:

Antistatic device ATEX:

II 2G Ex h IIC T4 Gb

II 2D Ex h IIIC T135°C Db

M.O.C.A. CE 1935/2004

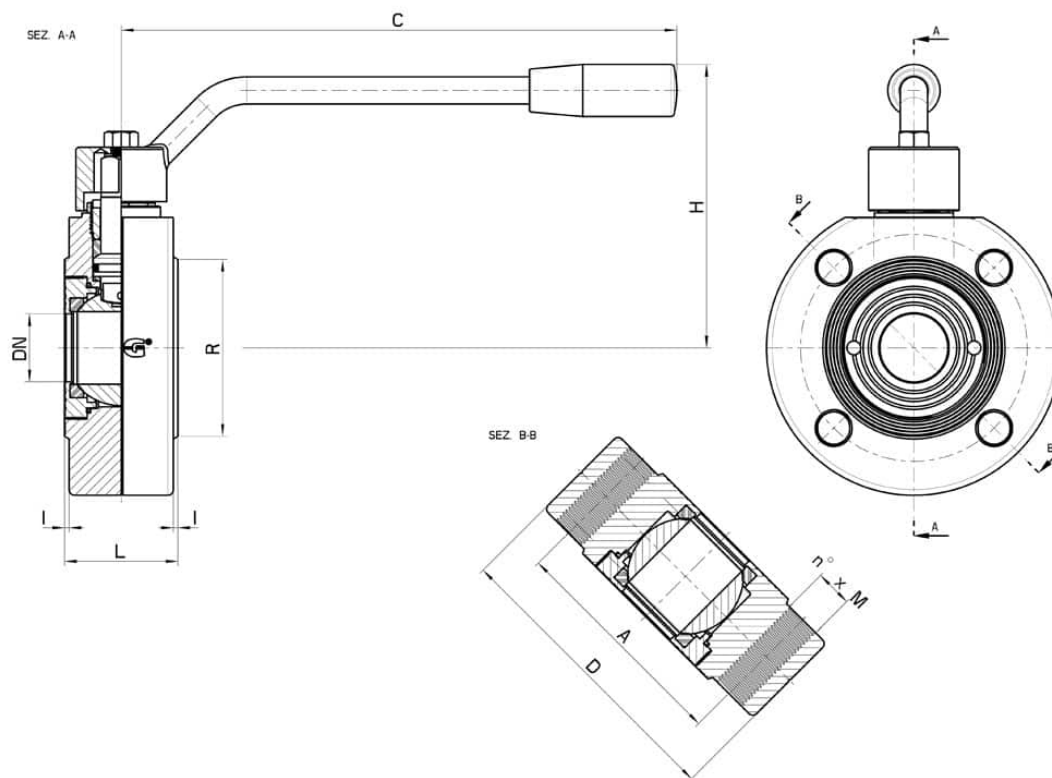
• Seals made of:

PTFE with glass -20°C+170°C

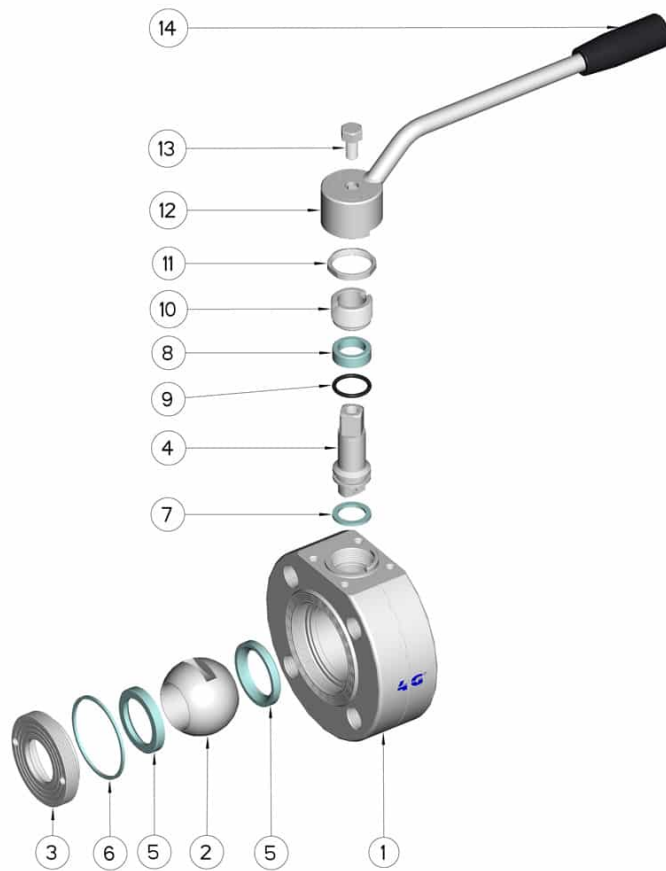
PTFE with carbographite -20°C+180°C

PTFE with inox -20°C+200°C

UHMW High-molecular weight polyethylene -20°C+80°C



EN 1759-1 CLASS 150 (exANSI 150)	DN	L	C	H	D	I	R	A	n° x M	Kg	COD. AISI 316L
1/2"	15	35	125	85	90	1,5	35	60,6	4xM12	-	400155 61410
3/4"	20	38	125	100	100	1,5	43	69,8	4xM12	-	400155 62010
1"	25	42	170	105	105	2	51	79,4	4xM12	-	400155 62610
1"1/4	32	54	240	120	130	2	63,5	88,9	4xM12	-	400155 63010
1"1/2	40	66	240	125	140	3	73	98,4	4xM12	-	400155 63410
2"	50	82	240	135	150	3	92	120,6	4xM16	-	400155 63810
2"1/2	65	95	260	145	180	3	119	139,7	4xM16	-	400155 64410
3"	80	118	300	150	200	3	127	152,4	4xM16	-	400155 64810
4"	100	140	330	165	220	3	157	190,5	8xM16	-	400155 65410



POS.	Denom.	PCS	MAT.
1	Body	1	AISI 316L
2	Ball	1	AISI 316L
3	Ring nut	1	AISI 316L
4	Stem	1	AISI 316L
5	Ball Seals	2	PTFE
6	Ring Seal	1	PTFE
7	Stem Seal	1	PTFE
8	Stem Seal	1	PTFE
9	Stem or-Seal	1	FKM
10	Register ring	1	AISI 304L (303)
11	Nut	1	AISI 304L
12	Lever	1	AISI 304L
13	SCREW	1	AISI 304L
14	Handle	1	Resin

