

400150C HEATING JACKET_STANDARD SEALS_THREADED HOLES FOR UNI EN 1092-1



TWO-way ball valve, FLAT BODY with HEATING JACKET from bar machined

Drive: Inox lever

Connection: Threaded holes for UNI EN 1092-1

Flow: Full

Material: Aisi 304L (1.4307) – Aisi 316L (1.4404)

Measure: from DN15 to DN100

Seals: Modified Virgin P.T.F.E.

Operating temperature: -20°C+170°C

On request:

Antistatic device ATEX:

II 2G Ex h IIC T4 Gb

II 2D Ex h IIIC T135°C Db

M.O.C.A. CE 1935/2004

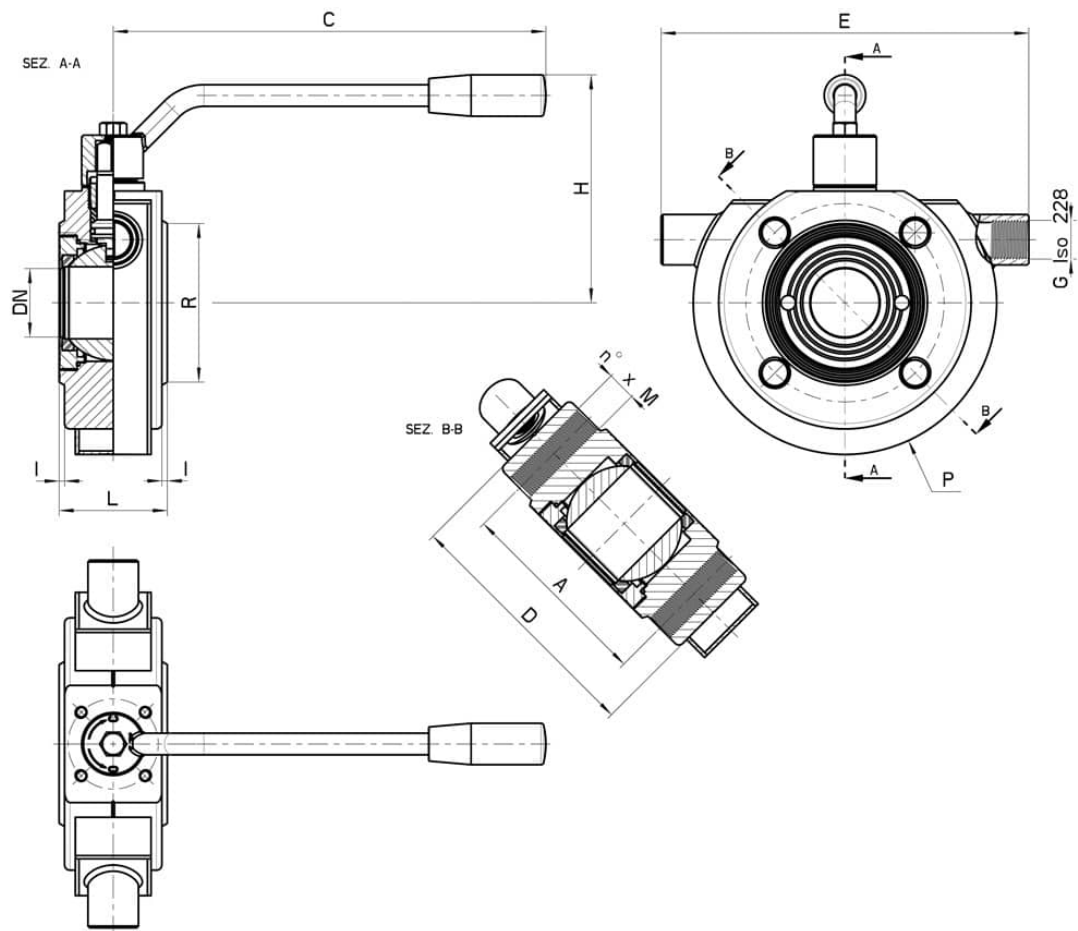
• Seals made of:

PTFE with glass -20°C+170°C

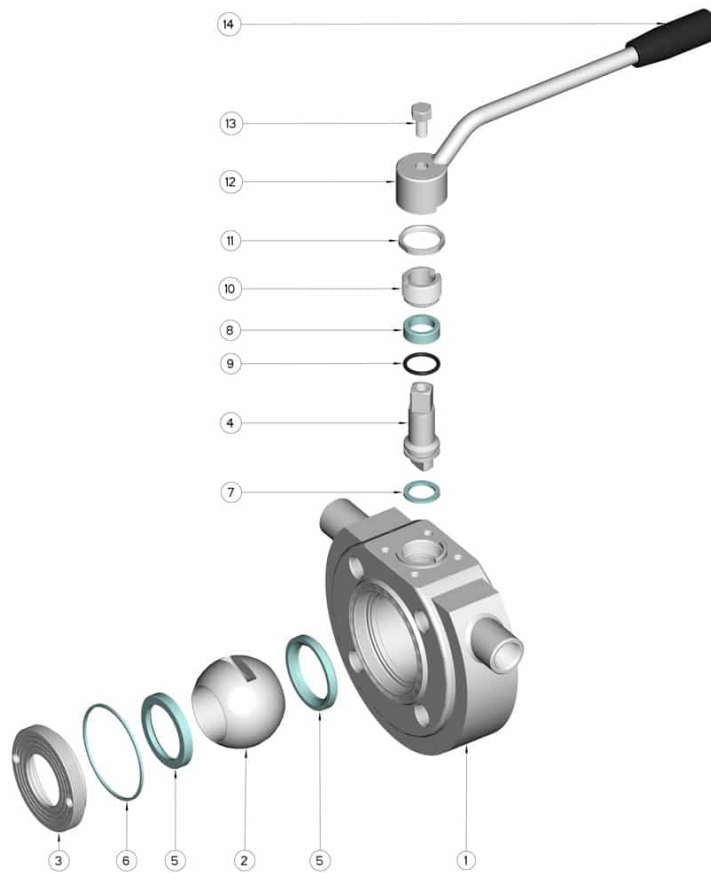
PTFE with carbographite -20°C+180°C

PTFE with inox -20°C+200°C

UHMW High-molecular weight polyethylene -20°C+80°C



DN	L	C	H	D	E	P	G	I	R	A	n° x M	PN	Kg	CODE AISI 304L	CODE AISI 316L
15	35	125	85	90	140	114	1/4"	1,5	45	65	4 x M12	40	1.667	-	400150C61410
20	38	125	100	100	154	125	3/8"	1,5	58	75	4 x M12	40	2.34	-	400150C62010
25	42	170	105	105	154	129	3/8"	2	68	85	4 x M12	40	2.66	-	400150C62610
32	50	240	120	130	192	154	1/2"	2	78	100	4 x M16	40	5.0	-	400150C63010
40	60	240	125	140	204	168	1/2"	3	88	110	4 x M16	40	6.5	-	400150C63410
50	72	240	135	150	223	190	1/2"	3	102	125	4 x M16	40	8.71	-	400150C63810
65	95	260	145	180	230	210	1/2"	3	122	145	4 x M16	16	15.93	400150C44410	400150C64410
80	118	300	150	200	244	230	1/2"	3	138	160	8 x M16	16	23.21	400150C44810	400150C64810
100	152	330	165	220	260	245	1/2"	3	158	180	8 x M16	16	40.6	400150C45410	400150C65410



POS.	Denomination	PCS	MAT.
1	Body	1	AISI 304L - AISI 316L
2	Ball	1	AISI 304L - AISI 316L
3	Ring nut	1	AISI 304L - AISI 316L
4	Stem	1	AISI 304L - AISI 316L
5	Ball Seals	2	PTFE
6	Ring Seal	1	PTFE
7	Stem Seal	1	PTFE
8	Stem Seal	1	PTFE
9	Stem or-Seal	1	FKM
10	Register ring	1	AISI 304L (303)
11	Nut	1	AISI 304L
12	Lever	1	AISI 304L
13	SCREW	1	AISI 304L
14	Handle	1	DUROPLAST (PF)

