

400150 STANDARD SEALS_THREADED HOLES FOR UNI EN 1092-1



TWO-way ball valve, FLAT BODY, from bar machined

Drive: Inox lever

Connection: threaded holes for UNI EN 1092-1

Flow: Full

Material: Aisi 304L (1.4307) - Aisi 316L (1.4404)

Measure: from DN15 to DN200

Modified Virgin P.T.F.E.

Operating temperature: -20°C+170°C

On request:

Antistatic device ATEX:

II 2G Ex h IIC T4 Gb

II 2D Ex h IIIC T135°C Db

M.O.C.A. CE 1935/2004

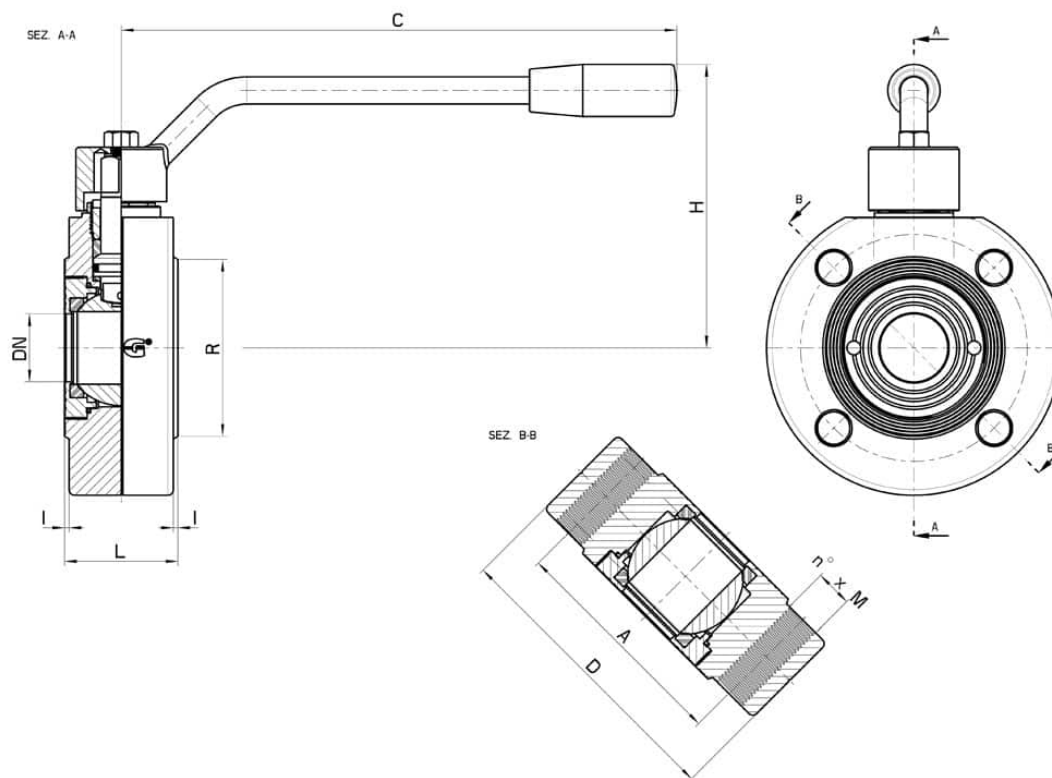
• Seals made of:

PTFE with glass -20°C+170°C

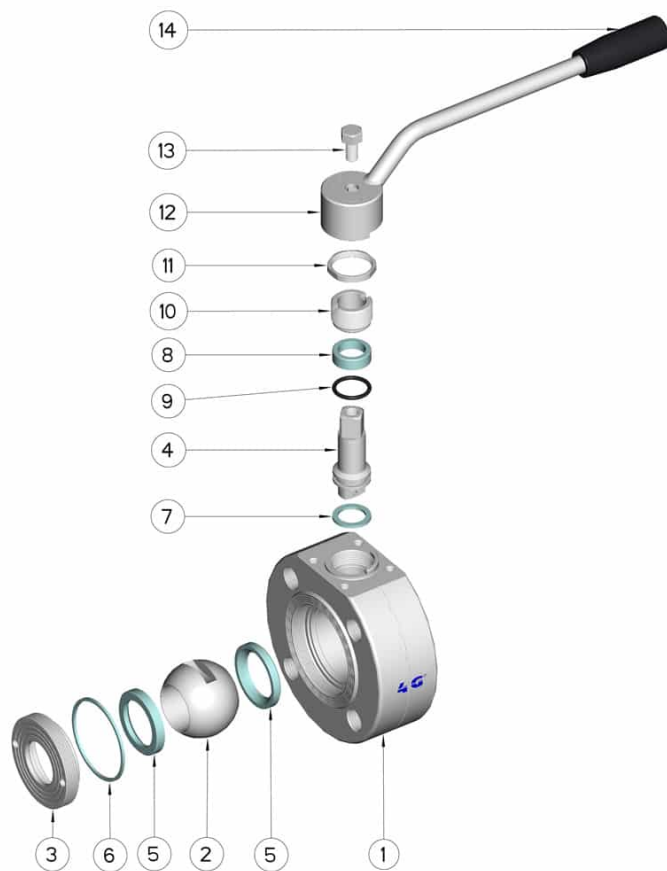
PTFE with carbographite -20°C+180°C

PTFE with inox -20°C+200°C

UHMW High-molecular weight polyethylene -20°C+80°C



DN	ISO / □	L	C	H	D	I	R	A	n° x M	PN	Kg	CODE AISI 304L	CODE AISI 316L
15	-	35	125	85	90	1,5	45	65	4 x M12	40	1,46	-	400150 61410
20	-	38	125	100	100	1,5	58	75	4 x M12	40	2,08	-	400150 62010
25	-	42	170	105	105	2	68	85	4 x M12	40	2,38	-	400150 62610
32	-	50	240	120	130	2	78	100	4 x M16	40	4,53	-	400150 63010
40	-	60	240	125	140	3	88	110	4 x M16	40	5,94	-	400150 63410
50	-	72	240	135	154	3	102	125	4 x M16	40	7,95	-	400150 63810
65	-	95	260	145	180	3	122	145	4 x M16	16	14,97	400150 44410	400150 64410
80	-	118	300	150	200	3	138	160	8 x M16	16	21,92	400150 44810	400150 64810
100	-	152	330	165	210	3	158	180	8 x M16	16	40	400150 45410	400150 65410
125	-	185	370	181	255	3	188	210	8 x M16	16	54,20	400150 45810	400150 65810
150	-	235	584	249	295	3	212	240	8 x M20	16	90,57	400150 46210	400150 66210
200	-	310	584	288	373	3	268	295	12 x M20	16	177,06	400150 46410	400150 66410
100 - Da fusione/Casted	F10-16	140	370	165	220	3	158	180	8 x M16	16	20,00	400150 45415	400150 65415
125 - Da fusione/Casted	F10-16	185	370	181	250	3	188	210	8 x M16	16	39,82	400150 45815	400150 65815
150 - Da fusione/Casted	F12-26	235	584	249	285	3	212	240	8 x M20	16	63,10	400150 46215	400150 66215
200 - Da fusione/Casted	F12-26	310	584	288	340	3	268	295	12 x M20	16	139,00	400150 46415	400150 66415



POS.	Denomination	PCS	MAT.
1	Body	1	AISI 304L - AISI 316L
2	Ball	1	AISI 304L - AISI 316L
3	Ring nut	1	AISI 304L - AISI 316L
4	Stem	1	AISI 304L - AISI 316L
5	Ball Seals	2	PTFE
6	Ring Seal	1	PTFE
7	Stem Seal	1	PTFE
8	Stem Seal	1	PTFE
9	Stem or-Seal	1	FKM
10	Register ring	1	AISI 304L (303)
11	Nut	1	AISI 304L
12	Lever	1	AISI 304L
13	SCREW	1	AISI 304L
14	Handle	1	DUROPLAST (PF)

