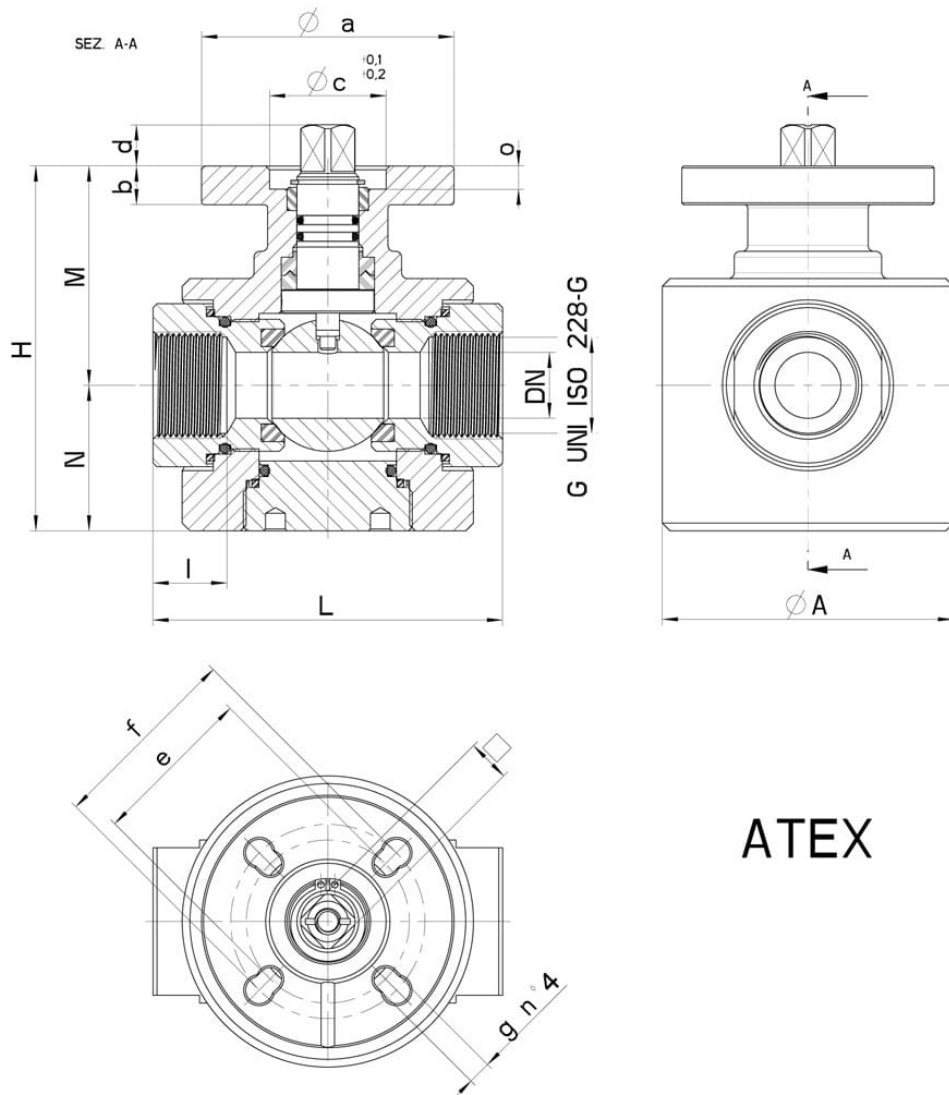


273001_HIGH PRESSURE PN250

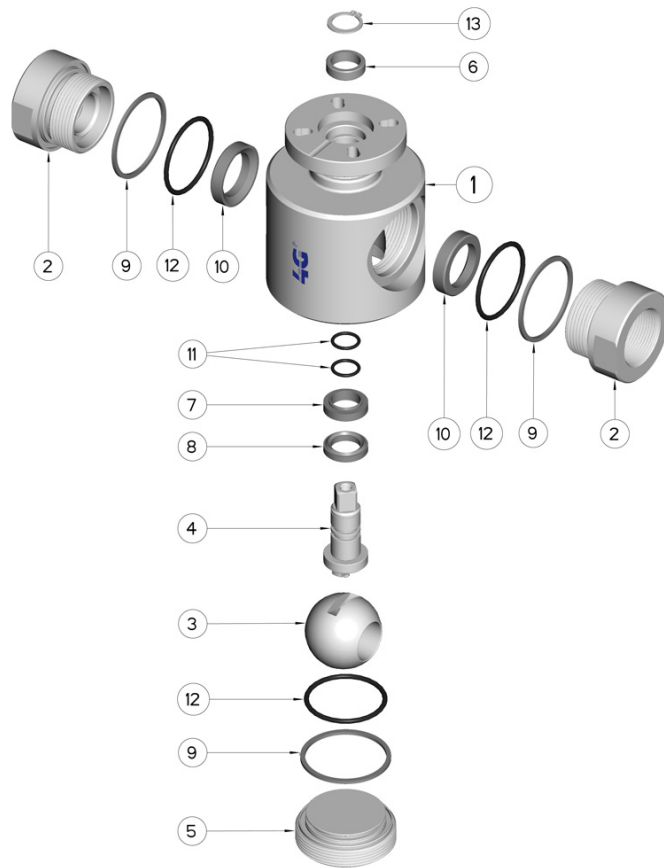


TWO-way ball valve ATEX II 2 G-D T4
Drive: ISO 5211 - DIN 3337 flange for actuator
Connection: ISO 228 female/female thread
Flow: Full
Material: Aisi 316L (1.4404)
Measure: from 1/4" to 1"
Seals: **INOX FILLED PTFE**
Operating temperature: -20°C+200°C
Outer finish: Turned
Screws for mounting actuator included
Antistatic device ATEX:
II 2G Ex h IIC T4 Gb
II 2D Ex h IIC T135°C Db

On request:
M.O.C.A. CE 1935/2004
•MANUAL with LEVER



G	DN	L	I	H	M	N	Ø A	PN	Kg	ISO-DIN	Ø a	b	Øc x o	□ Qu.	d	e	f	g	n° 4 Bolts	Nm	CODE
1/4"	8	70	15	84	53	31	60	250	1,40	F.03 / F.04	55	10	25x6	9/11	9,5	36	42	6	M5x16	20	273001A60450
3/8"	8	70	15	84	53	31	60	250	1,35	F.03 / F.04	55	10	25x6	9/11	9,5	36	42	6	M5x16/M6x16	20	273001A60850
1/2"	12	80	18	87	54	33	65	250	1,70	F.04 / F.05	65	10	30x6	11/14	10,5	42	50	6	M5x16/M6x16	25	273001A61450
3/4"	17	90	19	94	56,5	37,5	75	250	2,30	F.04 / F.05	65	10	30x6	11/14	10,5	42	50	6	M5x16/M6x16	35	273001A62050
1"	22	100	20	100	59,5	40,5	85	250	3,2	F.04 / F.05	65	10	30x6	11/14	10,5	42	50	6	M5x16/M6x16	40	273001A62650



POS.	Denomination	PCS	MAT.
1	Body	1	AISI 316L
2	Sleeve	2	AISI 316L
3	Ball	1	AISI 316L
4	Stem	1	AISI 316L
5	Plug	1	AISI 316L
6	Pin Seals	1	GLASS filled PTFE
7	Pin Seals	1	INOX FILLED PTFE
8	Pin Seals	1	INOX FILLED PTFE
9	Sleeve Seal	3	INOX FILLED PTFE
10	Ball Seals	2	INOX FILLED PTFE
11	O-Ring Pin	2	FKM
12	O-Ring Sleeve	3	FKM
13	Seeger	1	AISI 420

