

253050



TWO-way ball valve

Drive: ISO 5211 - DIN 3337 flange for actuator

Connection: Revolving threaded flanges UNI EN 1092-1:2003

Flow: Full

Material: Aisi 316L (1.4404)

Measure: from DN15 to DN50

Seals: Modified Virgin P.T.F.E.

Operating temperature: -20°C+170°C

Outer finish: Sandblasted

Screws for mounting actuator included

On request:

Antistatic device ATEX:

II 2G Ex h IIC T4 Gb

II 2D Ex h IIIC T135°C Db

M.O.C.A. CE 1935/2004

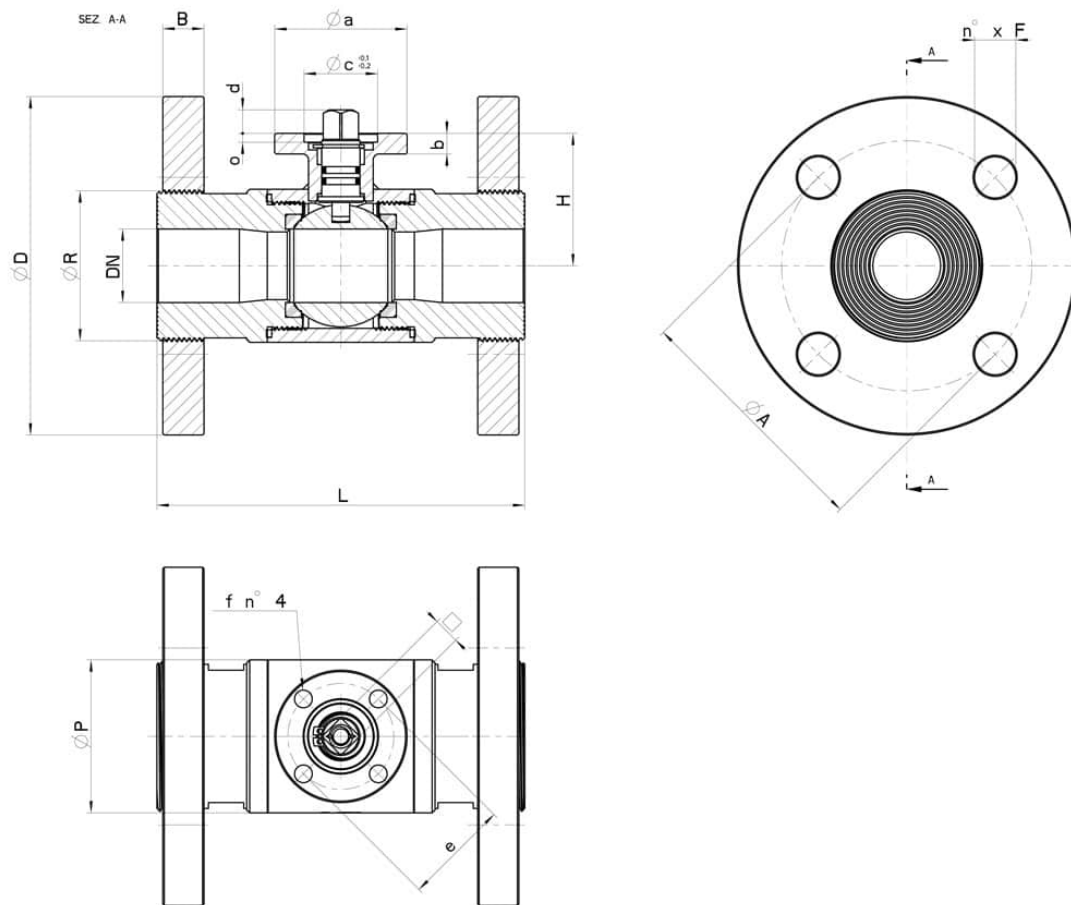
• Seals made of:

PTFE with glass -20°C+170°C

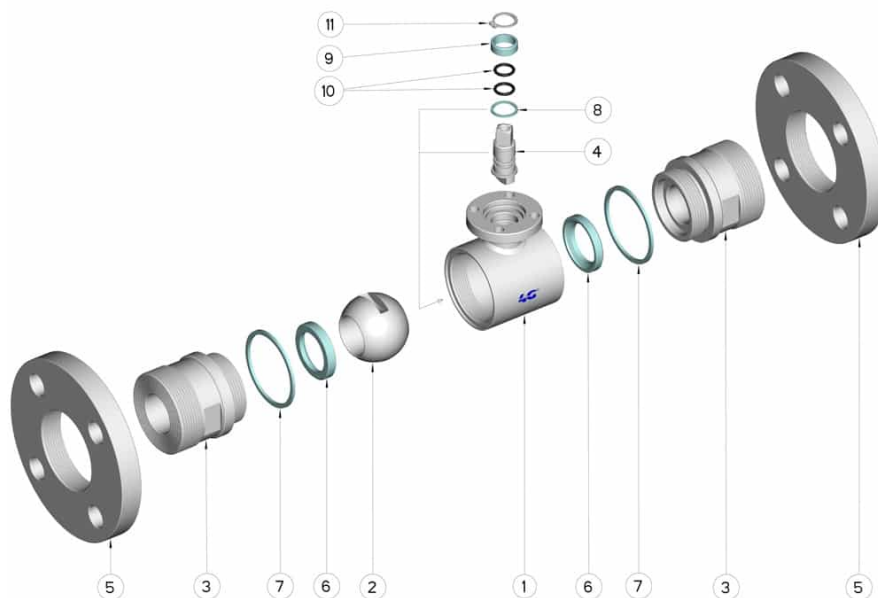
PTFE with carbographite -20°C+180°C

PTFE with inox -20°C+200°C

UHMW High-molecular weight polyethylene -20°C+80°C



DN	L	H	Ø P	D	B	Ø R	Ø A	n° x F	PN	Kg	ISO-DIN	Ø a	b	Ø c x o	□	d	e	f	n 4 viti	Nm	CODE AISI 316L
15 *	115	37,5	35	95	14	35	65	4 x 14	40	1,78	F.03	46	7	25x3	9	8	36	6	M5x14	8	253050 61410
20 *	120	41	42	105	16	42	75	4 x 14	40	2,51	F.03	46	7	25x3	9	8	36	6	M5x14	12	253050 62010
25 *	125	45	52	115	16	51	85	4 x 14	40	3,30	F.03	46	7	25x3	9	8	36	6	M5x14	15	253050 62610
25 *	125	53,5	52	115	16	51	85	4 x 14	40	3,36	F.04	54	7	30x3	11	10	42	6	M5x14	15	253050 6261F
32 *	130	50	60	140	18	63	100	4 x 18	40	4,88	F.03	46	7	25x3	9	8	36	6	M5x14	18	253050 63010
32 *	130	58,5	60	140	18	63	100	4 x 18	40	5,00	F.04	54	7	30x3	11	10	42	6	M5x14	18	253050 6301F
40 *	140	68	73	150	18	75	110	4 x 18	40	6,21	F.05	65	10	35x4	14	13	50	7	M6x16	25	253050 63410
40 *	140	68	73	150	18	75	110	4 x 18	40	6,40	F.07	90	10	55x4	17	15	70	9	M8x20	25	253050 6341F
50 *	150	76	89	165	20	89	125	4 x 18	40	8,82	F.05	65	10	35x4	14	13	50	7	M6x16	30	253050 63810
50 *	150	76	89	165	20	89	125	4 x 18	40	9,00	F.07	90	10	55x4	17	15	70	9	M8x20	30	253050 6381F



POS.	Denomination	PCS	MAT.
1	Body	1	AISI 316L
2	Ball	1	AISI 316L
3	Sleeves	2	AISI 316L
4	Stem	1	AISI 316L
5	Flanges	2	AISI 304L - 316L - Aq
6	Ball Seals	2	PTFE
7	Sleeve Seals	2	PTFE
8	Stem Seal	1	PTFE
9	Stem Seal	1	PTFE
10	Stem or-Seal	2	FKM
11	Seeger	1	AISI 420

