

## 253009 STANDARD SEALS – ISO 228 F/M



TWO-way ball valve

Drive: ISO 5211 – DIN 3337 flange for actuator

Connection: ISO 228 female/male thread

Flow: Full

Material: Aisi 316L (1.4404)

Measure: from 1/2" to 2"

Seals: Modified Virgin P.T.F.E.

Operating temperature: -20°C+170°C

Outer finish: Sandblasted

Screws for mounting actuator included

On request:

Antistatic device ATEX:

II 2G Ex h IIC T4 Gb

II 2D Ex h IIIC T135°C Db

M.O.C.A. CE 1935/2004

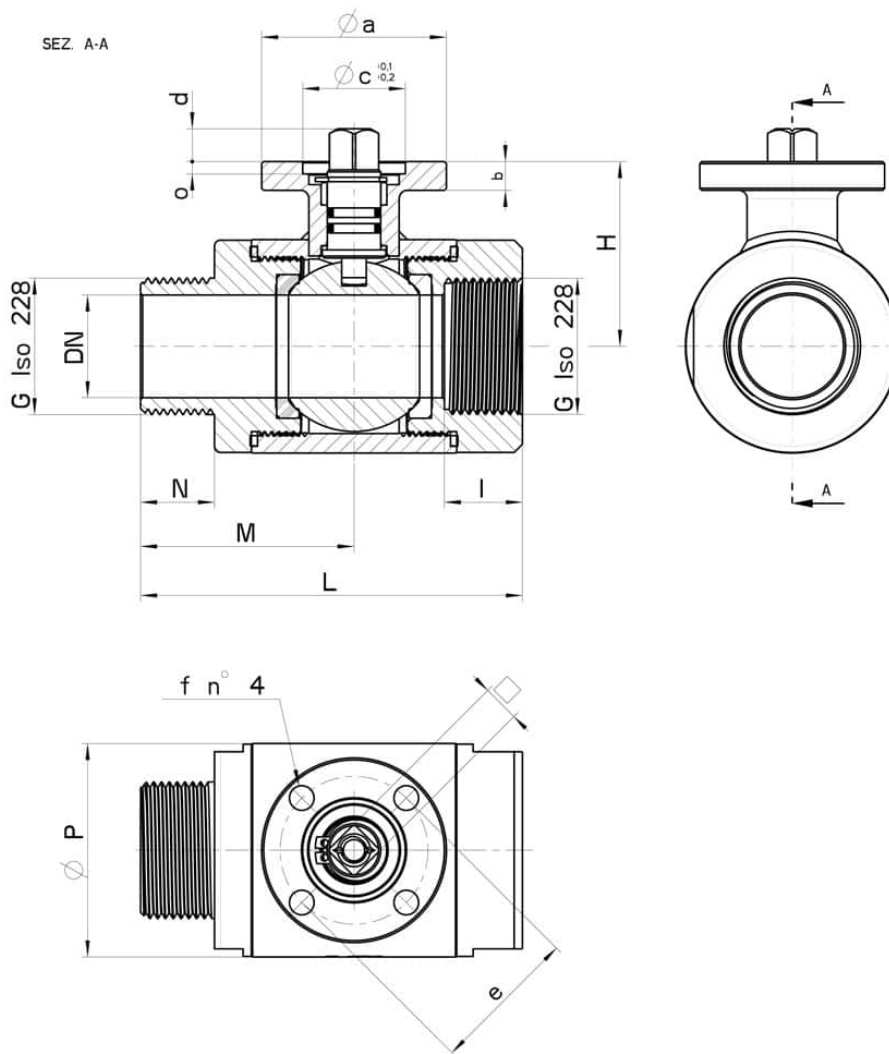
• Seals made of:

PTFE with glass -20°C+170°C

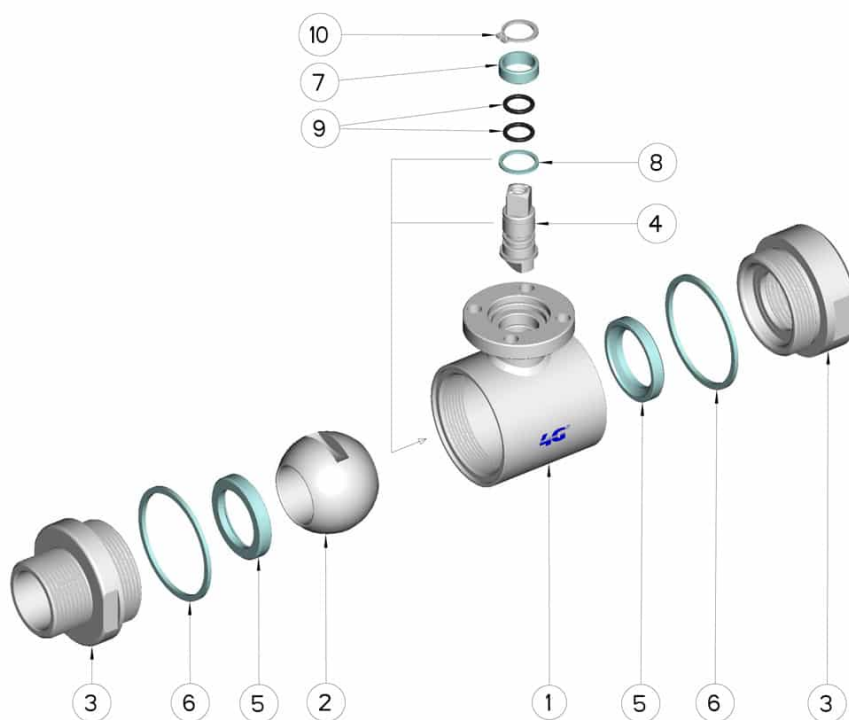
PTFE with carbographite -20°C+180°C

PTFE with inox -20°C+200°C

UHMW High-molecular weight polyethylene -20°C+80°C



G	DN	L	I	N	M	C	H	Ø P	PN	Kg	ISO-DIN	Ø a	b	Øc x o	□	d	e	f	n° 4 Bolts	Nm	COD. AISI 316L
1/2"	15	76	15	15	45	110	37,5	35	200	0,45	F.03	46	7	25x3	9	8	36	6	M5x14	8	253009 61410
3/4"	20	85	17	16	49	110	41	42	200	0,64	F.03	46	7	25x3	9	8	36	6	M5x14	12	253009 62010
1"	25	93	19	18	52	160	45	52	160	1,01	F.03	46	7	25x3	9	8	36	6	M5x14	15	253009 62610
1"	25	93	19	18	52	160	53,5	52	160	1,06	F.04	54	7	30x3	11	10	42	6	M5x14	15	253009 6261F
1"1/4	32	103	19	20	57	160	50	60	100	1,23	F.03	46	7	25x3	9	8	36	6	M5x14	18	253009 63010
1"1/4	32	103	19	20	57	160	58,5	60	100	1,30	F.04	54	7	30x3	11	10	42	6	M5x14	18	253009 6301F
1"1/2	40	116	20	20	64	190	68	73	64	2,23	F.05	65	7	35x4	14	13	50	7	M6x16	25	253009 63410
1"1/2	40	116	20	20	64	190	68	73	64	2,43	F.07	90	7	55x4	17	15	70	9	M8x20	25	253009 6341F
2"	50	131	20	24	73	190	76	89	64	3,40	F.05	65	7	35x4	14	13	50	7	M6x16	30	253009 63810
2"	50	131	20	24	73	190	76	89	64	3,56	F.07	90	7	55x4	17	15	70	9	M8x20	30	253009 6381F



POS.	Denom.	PCS	MAT.
1	Body	1	AISI 316L
2	Ball	1	AISI 316L
3	Sleeves	2	AISI 316L
4	Stem	1	AISI 316L
5	Ball Seals	2	PTFE
6	Sleeve Seals	2	PTFE
7	Stem Seal	1	PTFE
8	Stem Seal	1	PTFE
9	Stem or-Seal	2	FKM
10	Seeger	1	AISI 420

