

253001 STANDARD SEALS - ISO 228 F



TWO-way ball valve

Drive: ISO 5211 - DIN 3337 flange for actuator

Connection: ISO 228 female/female thread

Flow: Full

Material: Aisi 316L (1.4404)

Measure: from 1/2" to 2"

Seals: Modified Virgin P.T.F.E.

Operating temperature: -20°C+170°C

Outer finish: Sandblasted

Screws for mounting actuator included

On request:

Antistatic device ATEX:

II 2G Ex h IIC T4 Gb

II 2D Ex h IIIC T135°C Db

M.O.C.A. CE 1935/2004

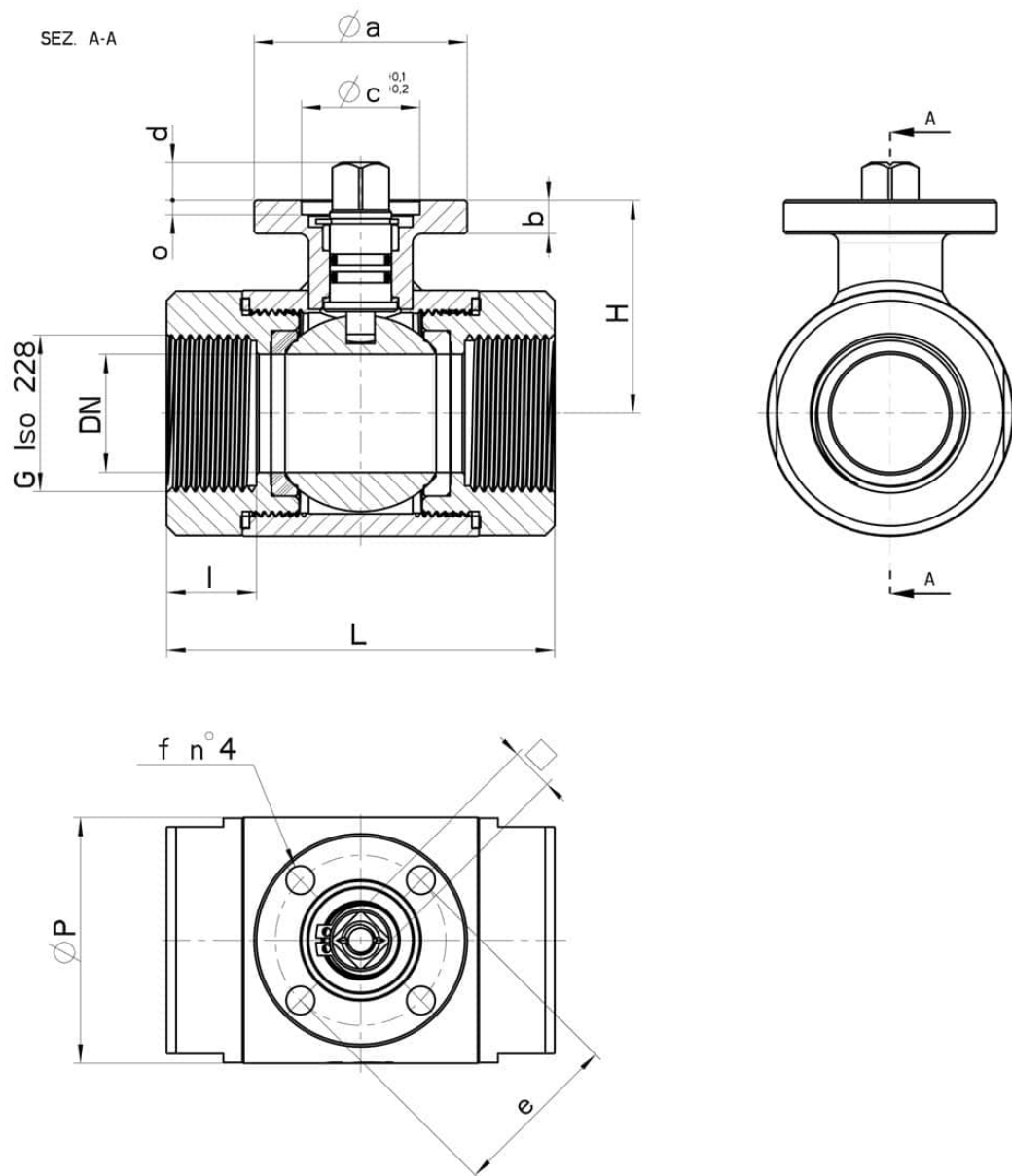
• Seals made of:

PTFE with glass -20°C+170°C

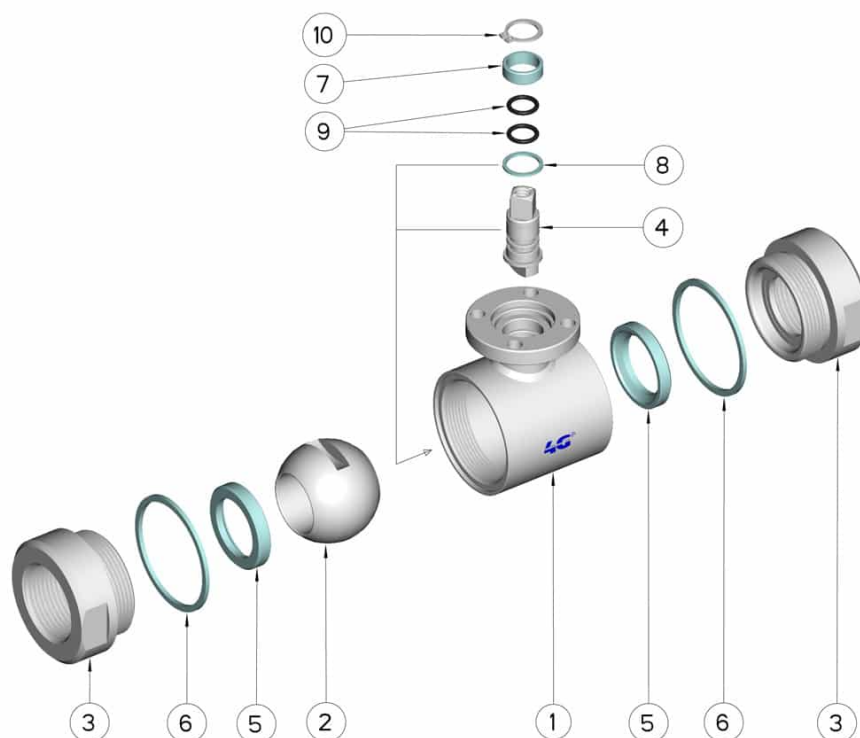
PTFE with carbographite -20°C+180°C

PTFE with inox -20°C+200°C

UHMW High-molecular weight polyethylene -20°C+80°C



G	DN	L	I	H	Ø P	PN	Kg	ISO-DIN	Ø a	b	Ø c x o	□	d	e	f	n° 4 Bolts	Nm	COD. AISI 316L
1/2"	15	62	15	37,5	35	200	0,43	F.03	46	7	25x3	9	8	36	6	M5x14	8	253001 61410
3/4"	20	72	17	41	42	200	0,61	F.03	46	7	25x3	9	8	36	6	M5x14	12	253001 62010
1"	25	82	19	45	52	160	0,99	F.03	46	7	25x3	9	8	36	6	M5x14	15	253001 62610
1"	25	82	19	53,5	52	160	1,07	F.04	54	7	30x3	11	10	42	6	M5x14	15	253001 6261F
1*1/4	32	92	19	50	60	100	1,18	F.03	46	7	25x3	9	8	36	6	M5x14	18	253001 63010
1*1/4	32	92	19	58,5	60	100	1,26	F.04	54	7	30x3	11	10	42	6	M5x14	18	253001 6301F
1*1/2	40	104	20	68	73	64	2,26	F.05	65	10	35x4	14	13	50	7	M6x16	25	253001 63410
1*1/2	40	104	20	68	73	64	2,45	F.07	90	10	55x4	17	15	70	9	M8x20	25	253001 6341F
2"	50	116	20	76	89	64	3,30	F.05	65	10	35x4	14	13	50	7	M6x16	30	253001 63810
2"	50	116	20	76	89	64	3,50	F.07	90	10	55x4	17	15	70	9	M8x20	30	253001 6381F



POS.	Denom.	PCS	MAT.
1	Body	1	AISI 316L
2	Ball	1	AISI 316L
3	Sleeves	2	AISI 316L
4	Stem	1	AISI 316L
5	Ball Seals	2	PTFE
6	Sleeve Seals	2	PTFE
7	Stem Seal	1	PTFE
8	Stem Seal	1	PTFE
9	Stem or-Seal	2	FKM
10	Seeger	1	AISI 420

