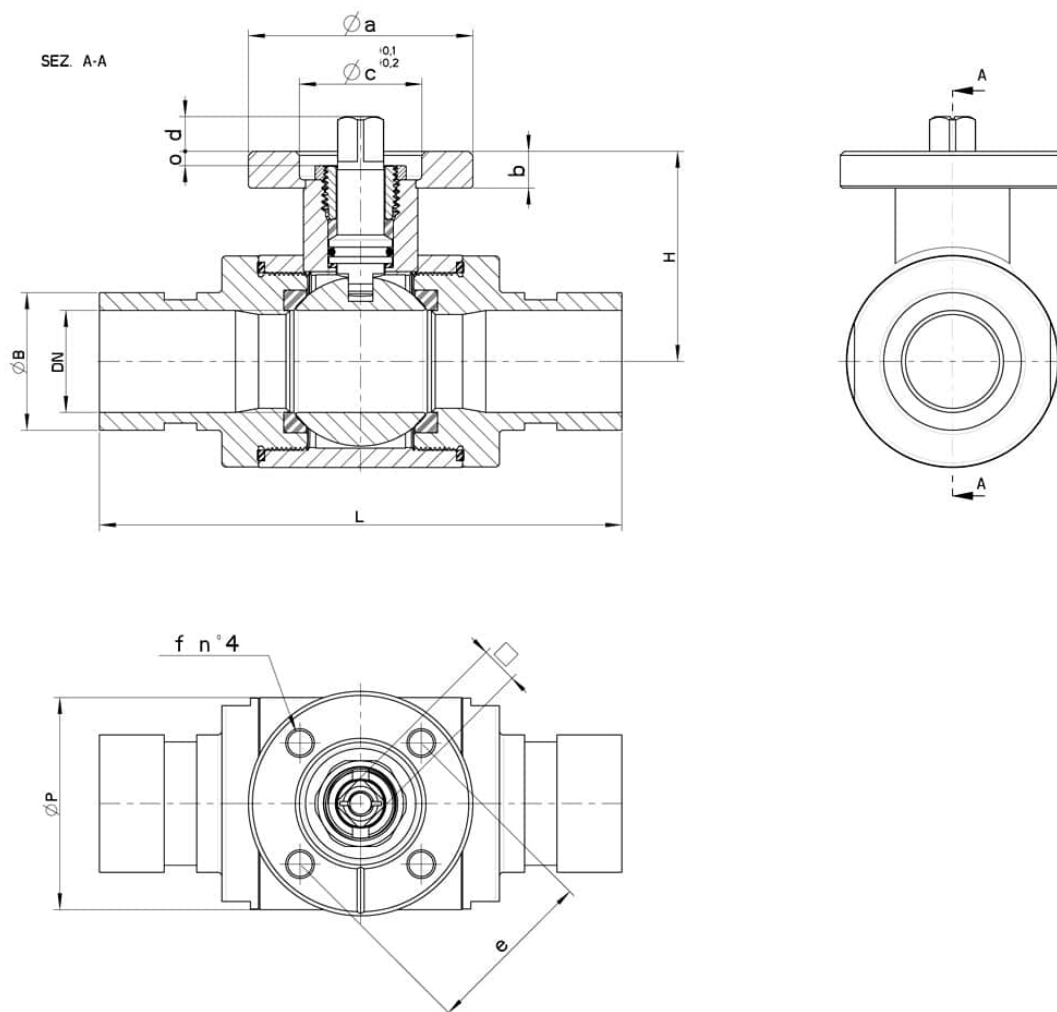


213060 STANDARD SEALS - VICTAULIC

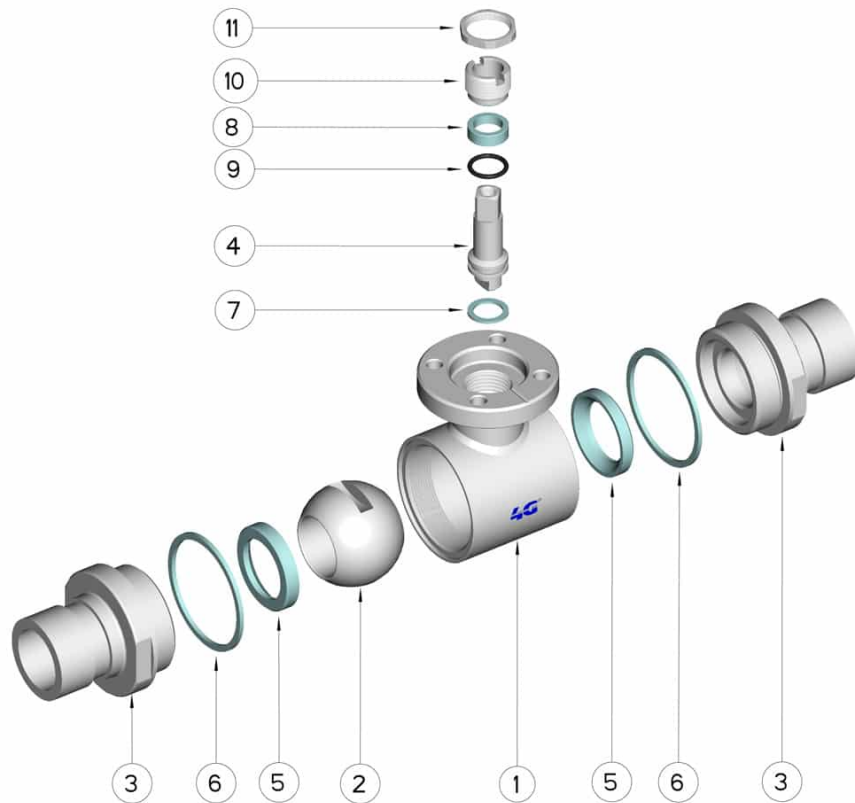


TWO-way ball valve
Drive: ISO 5211 - DIN 3337 flange for actuator
Connection: VICTAULIC
Flow: Full
Material: Aisi 316L (1.4404)
Measure: from DN20 to DN100
Seals: Modified Virgin P.T.F.E.
Operating temperature: -20°C+170°C
Outer finish: Sandblasted
Screws for mounting actuator included

On request:
Antistatic device ATEX:
II 2G Ex h IIC T4 Gb
II 2D Ex h IIIC T135°C Db
M.O.C.A. CE 1935/2004
• Seals made of:
PTFE with glass -20°C+170°C
PTFE with carbographite -20°C+180°C
PTFE with inox -20°C+200°C
UHMW High-molecular weight polyethylene -20°C+80°C



| VICTAULIC | DN | L | Ø B | H | Ø P | PN | Kg | ISO-DIN | Ø a | b | Ø c x o | □ | d | e | f | n° 4 Bolts | Nm | CODE AISI 316L |
|--------------|-----|-----|-------|------|-----|-----|----|---------|-----|----|---------|----|----|-----|----|------------|----|----------------|
| 3/4" x 26,9 | 20 | 126 | 26,9 | 45 | 42 | 100 | -- | F.03 | 46 | 9 | 25x3 | 9 | 8 | 36 | 6 | M5x16 | 12 | 213060 62010 |
| 3/4" x 26,9 | 20 | 126 | 26,9 | 45 | 42 | 100 | -- | F.04 | 54 | 9 | 30x3 | 11 | 10 | 42 | 6 | M5x16 | 12 | 213060 6201F |
| 1" x 33,7 | 25 | 128 | 33,7 | 51,5 | 52 | 64 | -- | F.04 | 54 | 9 | 30x3 | 11 | 10 | 42 | 6 | M5x16 | 15 | 213060 62610 |
| 1" x 33,7 | 25 | 128 | 33,7 | 51,5 | 52 | 64 | -- | F.05 | 65 | 9 | 35x3 | 14 | 13 | 50 | 7 | M6x16 | 15 | 213060 6261F |
| 1"1/4 x 42,4 | 32 | 134 | 42,4 | 56,5 | 60 | 64 | -- | F.04 | 54 | 9 | 30x3 | 11 | 10 | 42 | 6 | M5x16 | 18 | 213060 63010 |
| 1"1/4 x 42,4 | 32 | 134 | 42,4 | 56,5 | 60 | 64 | -- | F.05 | 65 | 9 | 35x3 | 14 | 13 | 50 | 7 | M6x16 | 18 | 213060 6301F |
| 1"1/2 x 48,3 | 40 | 148 | 48,3 | 76 | 73 | 64 | -- | F.05 | 65 | 12 | 35x4 | 14 | 13 | 50 | 7 | M6x20 | 25 | 213060 63410 |
| 1"1/2 x 48,3 | 40 | 148 | 48,3 | 76 | 73 | 64 | -- | F.07 | 90 | 12 | 55x4 | 17 | 15 | 70 | 9 | M8x20 | 25 | 213060 6341F |
| 2" x 60,3 | 50 | 158 | 60,3 | 84 | 88 | 40 | -- | F.05 | 65 | 12 | 35x4 | 14 | 13 | 50 | 7 | M6x20 | 30 | 213060 63810 |
| 2" x 60,3 | 50 | 158 | 60,3 | 84 | 88 | 40 | -- | F.07 | 90 | 12 | 55x4 | 17 | 15 | 70 | 9 | M8x20 | 30 | 213060 6381F |
| 2"1/2 x 73 | 65 | 172 | 73 | 94,5 | 113 | 40 | -- | F.07 | 90 | 12 | 55x4 | 17 | 15 | 70 | 9 | M8x20 | 45 | 213060 64410 |
| 2"1/2 x 73 | 65 | 172 | 73 | 94,5 | 113 | 40 | -- | F.10 | 125 | 12 | 70x4 | 22 | 18 | 102 | 11 | M10x25 | 45 | 213060 6441F |
| 3" x 88,9 | 80 | 194 | 88,9 | 106 | 135 | 40 | -- | F.07 | 90 | 12 | 55x4 | 17 | 15 | 70 | 9 | M8x20 | 70 | 213060 64810 |
| 3" x 88,9 | 80 | 194 | 88,9 | 106 | 135 | 40 | -- | F.10 | 125 | 12 | 70x4 | 22 | 18 | 102 | 11 | M10x25 | 70 | 213060 6481F |
| 4" x 114,3 | 100 | 206 | 114,3 | 120 | 167 | 25 | -- | F.07 | 90 | 12 | 55x4 | 17 | 15 | 70 | 9 | M8x20 | 80 | 213060 65410 |
| 4" x 114,3 | 100 | 206 | 114,3 | 120 | 167 | 25 | -- | F.10 | 125 | 12 | 70x4 | 22 | 18 | 102 | 11 | M10x25 | 80 | 213060 6541F |



| POS. | Denomination | PCS | MAT. |
|------|---------------|-----|-----------------|
| 1 | Body | 1 | AISI 316L |
| 2 | Ball | 1 | AISI 316L |
| 3 | Sleeves | 2 | AISI 316L |
| 4 | Stem | 1 | AISI 316L |
| 5 | Ball Seals | 2 | PTFE |
| 6 | Sleeve Seals | 2 | PTFE |
| 7 | Stem Seal | 1 | PTFE |
| 8 | Stem Seal | 1 | PTFE |
| 9 | Stem or-Seal | 1 | FKM |
| 10 | Register ring | 1 | AISI 304L (303) |
| 11 | Locknut | 1 | AISI 303 |

