

210160 STANDARD SEALS - VICTAULIC



TWO-way ball valve

Drive: Inox lever

Connection: VICTAULIC

Flow: Full

Material: Aisi 316L (1.4404)

Measure: from da DN20 to DN100

Seals: Modified Virgin P.T.F.E.

Operating temperature: -20°C+170°C

Outer finish: Sandblasted

On request:

Antistatic device ATEX:

II 2G Ex h IIC T4 Gb

II 2D Ex h IIIC T135°C Db

M.O.C.A. CE 1935/2004

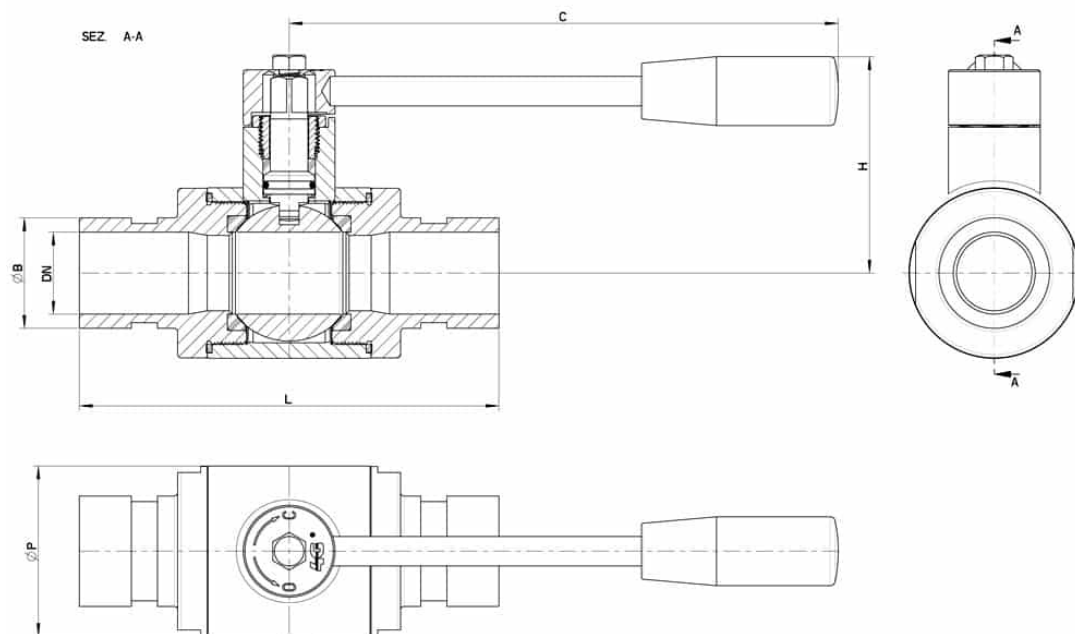
• Seals made of:

PTFE with glass -20°C+170°C

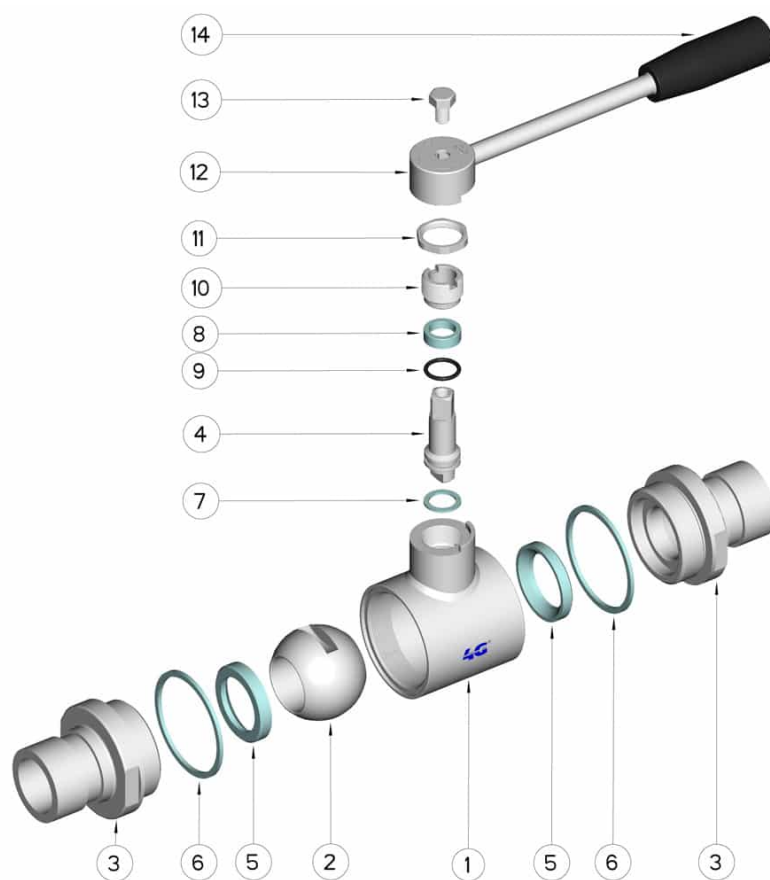
PTFE with carbographe -20°C+180°C

PTFE with inox -20°C+200°C

UHMW High-molecular weight polyethylene -20°C+80°C



VICTAULIC	DN	L	Ø B	C	H	Ø P	PN	Kg	CODE AISI 316L
3/4" x 26,9	20	126	26,9	110	60	42	100	0,78	210160 62010
1" x 33,7	25	128	33,7	160	65	52	64	1,22	210160 62610
1"1/4 x 42,4	32	134	42,4	160	70	60	64	--	210160 63010
1"1/2 x 48,3	40	148	48,3	190	80	73	64	2,43	210160 63410
2" x 60,3	50	158	60,3	190	90	88	40	3,68	210160 63810
2"1/2 x 73	65	172	73	235	110	113	40	5,98	210160 64410
3" x 88,9	80	194	88,9	285	130	135	40	9,12	210160 64810
4 x 114,3	100	206	114,3	310	150	167	25	14,9	210160 65410



POS.	Denomination	PCS	MAT.
1	Body	1	AISI 316L
2	Ball	1	AISI 316L
3	Sleeves	2	AISI 316L
4	Stem	1	AISI 316L
5	Ball Seals	2	PTFE Vergine Modificato
6	Sleeve Seals	2	PTFE
7	Stem Seal	1	PTFE
8	Stem Seal	1	PTFE
9	Stem or-Seal	1	FKM
10	Register ring	1	AISI 304L (303)
11	Nut	1	AISI 304L
12	Washer	1	AISI 304L
13	Lever	1	AISI 304L
14	Handle	1	DUROPLAST (PF)

