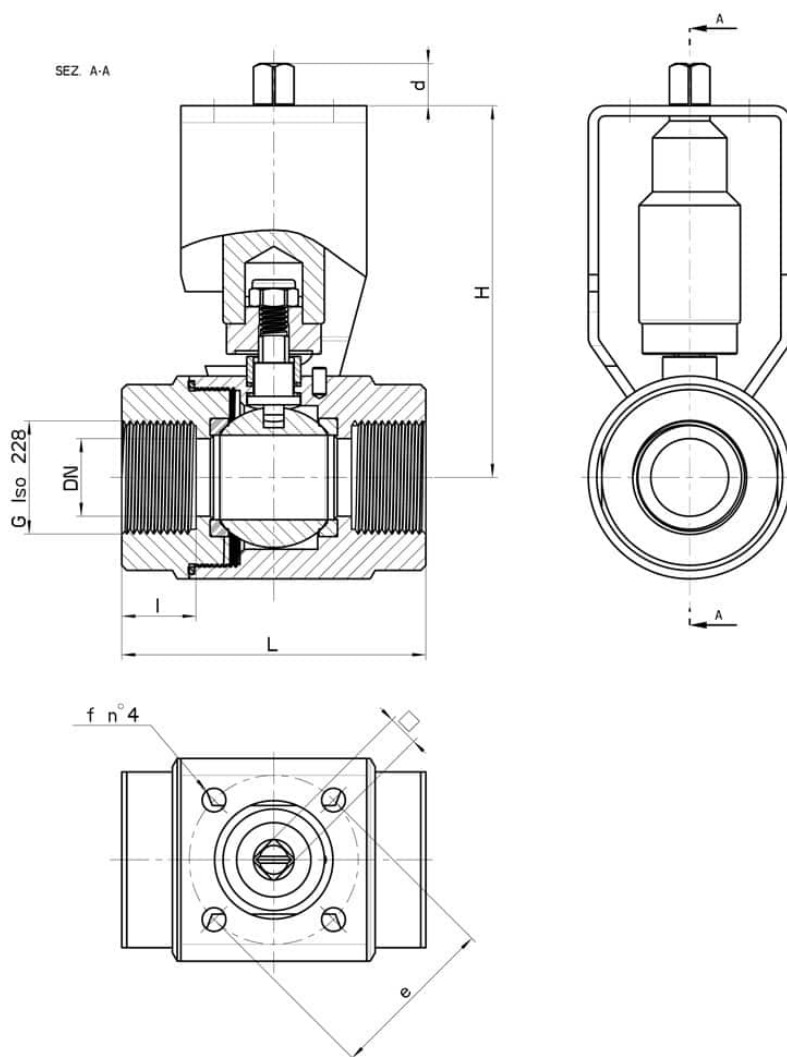


## 193001 STANDARD SEALS - ISO 228 F



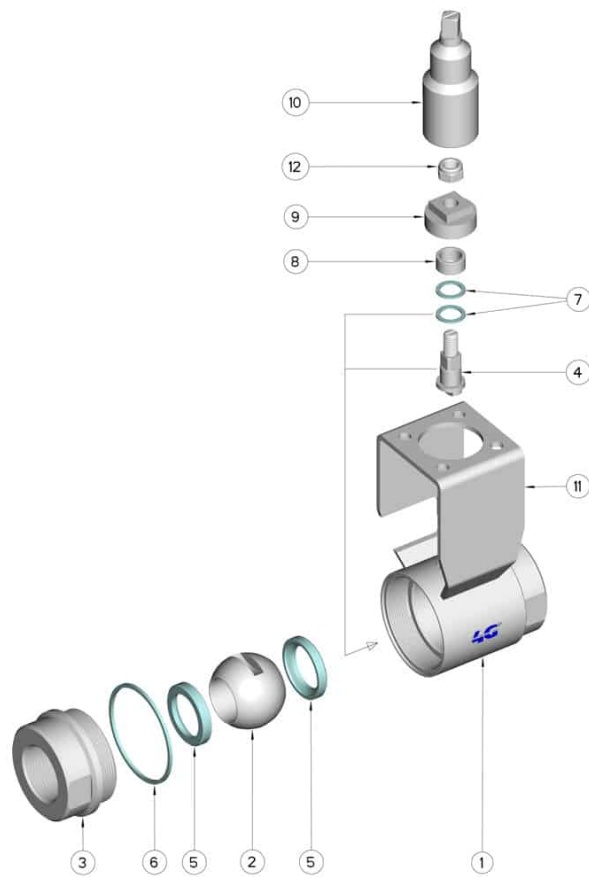
TWO-way ball valve  
Drive: ISO 5211 - DIN 3337 foration for actuator  
Connection: ISO 228 female/female thread  
Flow: Full  
Material: Aisi 316L (1.4404)  
Measure: from 1/4" to 1"  
Seals: Modified Virgin P.T.F.E.  
Operating temperature: -20°C+170°C  
Outer finish: Glazed  
Screws for mounting actuator included

On request:  
Antistatic device ATEX:  
II 2G Ex h IIC T4 Gb  
II 2D Ex h IIIC T135°C Db  
M.O.C.A. CE 1935/2004  
• Seals made of:  
PTFE with glass -20°C+170°C  
PTFE with inox -20°C+200°C



---

G	DN	L	I	H	d	ISO	□	e	f	Nm	PN	Kg	COD. AISI 316L
1/4"	10	60	17	90	10	F.05	9	50	7	7	200	-	193001 60410
3/8"	10	60	17	90	10	F.05	9	50	7	7	200	-	193001 60810
1/2"	15	70	19	98	10	F.05	9	25	7	10	200	-	193001 61410
3/4"	20	80	20	105	10	F.05	9	50	7	15	160	-	193001 62010
1"	25	90	22	111	10	F.05	9	50	7	18	160	-	193001 62610



POS.	Denom.	PCS	MAT.
1	Body	1	AISI 316L
2	Ball	1	AISI 316L
3	Sleeve	1	AISI 316L
4	Stem	1	AISI 316L
5	Ball Seals	2	PTFE
6	Sleeve Seal	1	PTFE
7	Pin Seals	2	PTFE
8	Distanziale	1	OT-58 nichelato
9	Disco quadro	1	AISI 316L
10	Extension	1	AISI 303
11	Brackets	1	AISI 304L
12	Nut	1	AISI 304L

