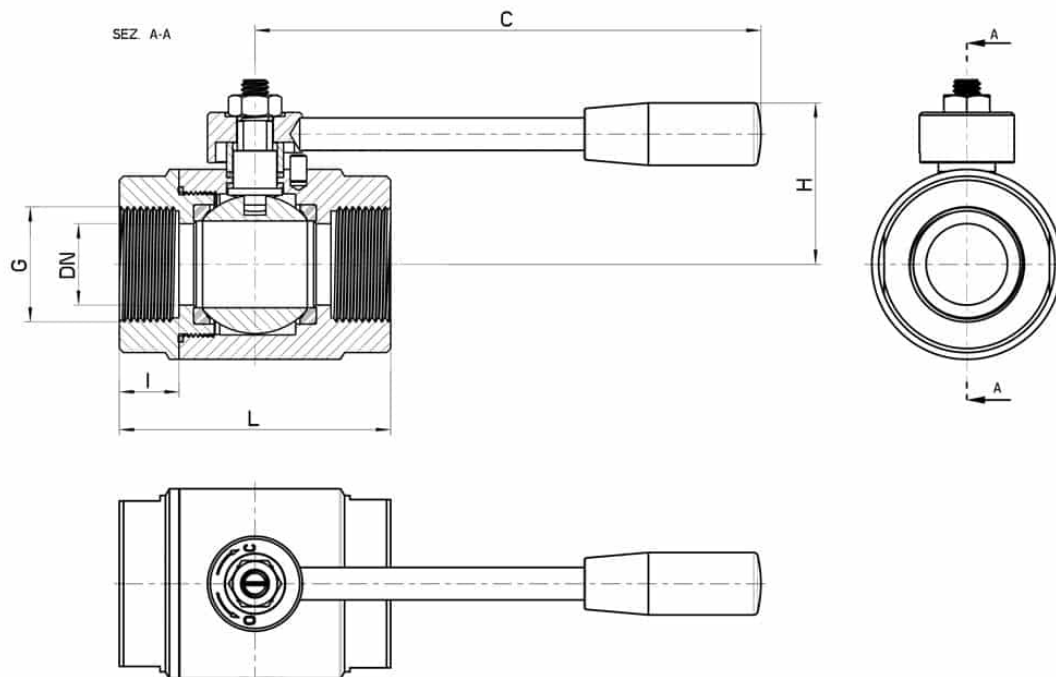


190101 STANDARD SEALS - ISO 228 F

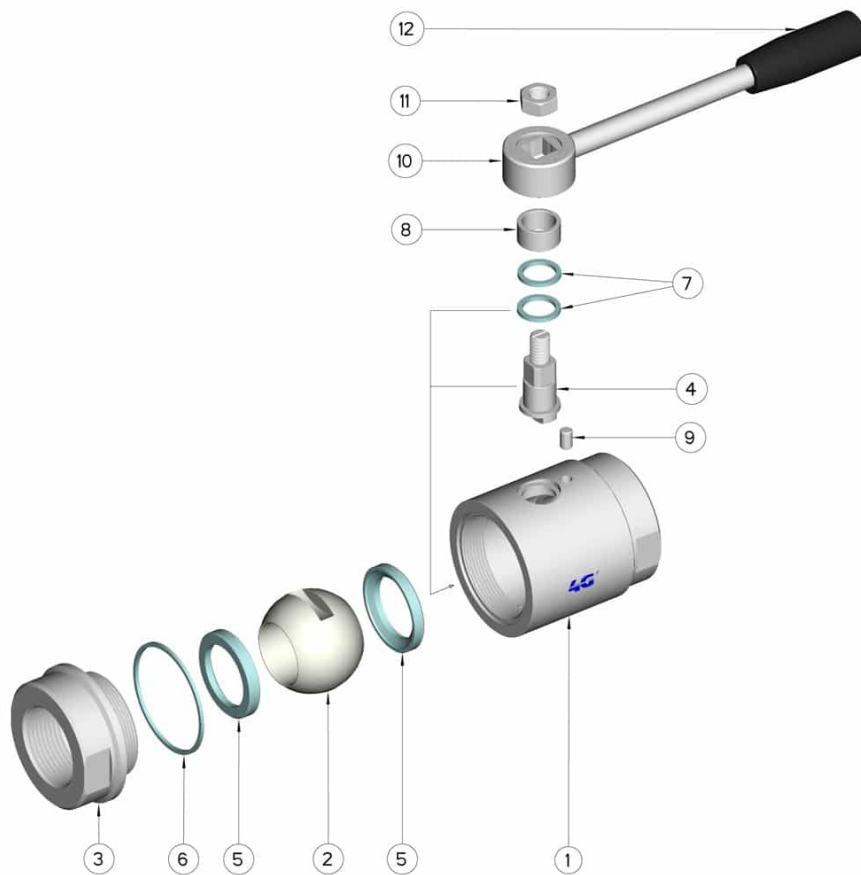


TWO-way ball valve
Drive: Inox lever
Connection: ISO 228 female/female thread
Flow: Full
Material: Aisi 316L (1.4404)
Measure: from 1/4" to 1"
Seals: Modified Virgin P.T.F.E.
Operating temperature: -20°C+170°C
Outer finish: Glazed

On request:
Antistatic device ATEX:
II 2G Ex h IIC T4 Gb
II 2D Ex h IIIC T135°C Db
M.O.C.A. CE 1935/2004
• Seals made of:
PTFE with glass -20°C+170°C
PTFE with inox -20°C+200°C



G	DN	L	I	C	H	PN	Kg	COD. AISI 316L
1/4"	10	60	17	110	40	200	0,43	190101 60410
3/8"	10	60	17	110	40	200	0,40	190101 60810
1/2"	15	70	19	110	45	200	0,59	190101 61410
3/4"	20	80	20	150	55	160	1,12	190101 62010
1"	25	90	22	150	60	160	1,50	190101 62610



POS.	Denom.	PCS	MAT.
1	Body	1	AISI 316L
2	Ball	1	AISI 316L
3	Sleeve	1	AISI 316L
4	Stem	1	AISI 316L
5	Ball Seals	2	PTFE
6	Sleeve Seal	1	PTFE
7	Pin Seals	2	PTFE
8	Distanziale	1	OT-58 nichelato
9	Fermo Leva	1	AISI 304L
10	Lever	1	AISI 304L
11	Nut	1	AISI 304L
12	Handle	1	DUROPLAST (PF)

