

163050E_HEATING JACKET_INTEGRAL SEALS_UNI EN 1092-1



TWO-way ball valve STEM BENT BOTTOM with "INTEGRAL SEAL" with HEATING JACKET

Use: Valve for tank bottom

Antistatic device ATEX:

II 2G Ex h IIC T4 Gb

II 2D Ex h IIC T135°C Db

Drive: ISO 5211 - DIN 3337 flange for actuator

Connections: Flange-Flange, tank side flange fixed and revolving threaded flange according to UNI

Flow: Full

Material: Aisi 316L (1.4404)

Measure: from DN40 to DN125

Seals: Virgin P.T.F.E.

Operating temperature: -20°C+160°C

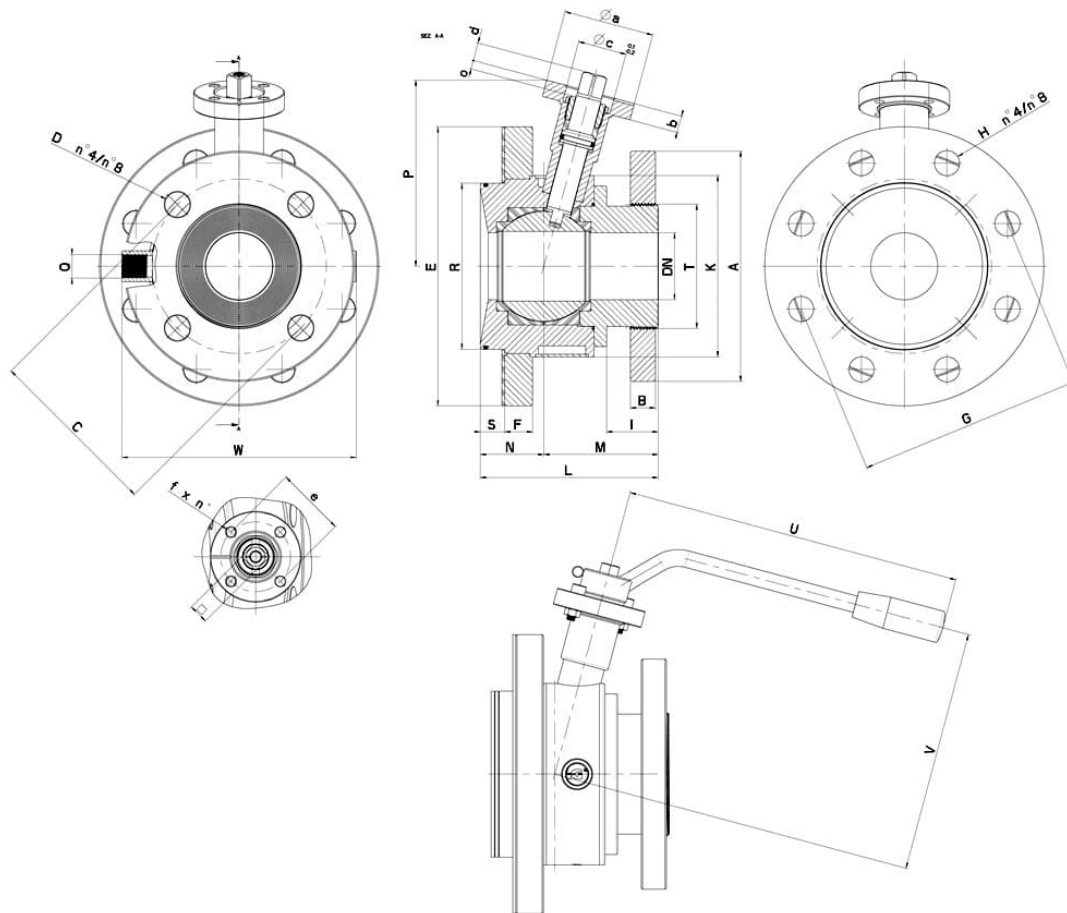
Outer finish: Polished

Screws for mounting actuator included

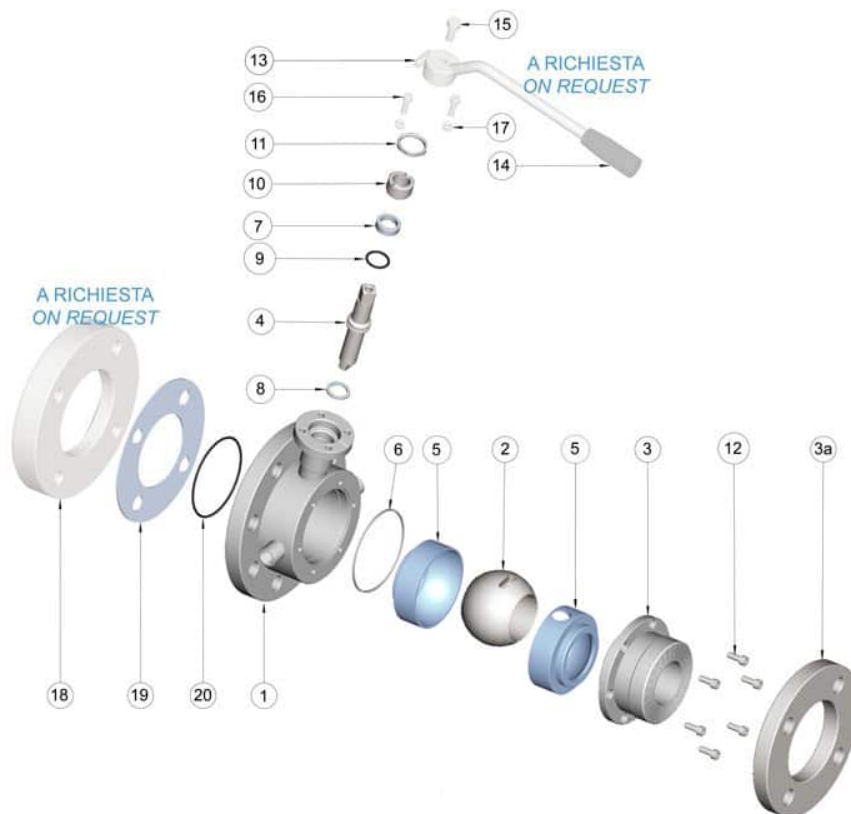
On request:

M.O.C.A. CE 1935/2004

- MANUAL with LEVER Kit
- Counterflanges for Tank



DN	L	R ₁	N	M	S	F	I	B	Ø D x r ¹	Ø E (Flange-DN)	Ø R	Ø G	K	Ø A	Ø C	Ø T	P	ISO 5211	□	Ø e	b	Ø e	Ø c x d	d	Ø f x r ²	U	V	Ø (compressione camicia ISO 228 F)	W	h _m	K _p	CODE AISI 316L
40	122	16	45	77	17	20		16	18 x 4	185 (DN65)	94	145	115	150	110	75	126	F05	14	65	12	50	35 x 3	7 x 4	240	178	3/8"		32	10,00	163050663410	
50	127	16	45,5	82	17,5	20		18	18 x 4	200 (DN80)	119	160	130	165	125	89	132	F05	14	65	12	50	35 x 3	7 x 4	240	185	3/8"		37	12,52	163050663810	
65	149	16	57	96	19,5	22		18	18 x 4	220 (DN100)	138	180	150	185	145	110	156	F07	17	90	12	70	55 x 4	9 x 4	270	215	1/2"		60	18,65	163050664410	
80	166	16	73	101	27,5	22		18	18 x 8	250 (DN125)	165	210	180	200	160	120	167	F07	17	90	12	70	55 x 4	9 x 4	300	225	1/2"		75	25,60	163050664810	
100	186	16	77	111	26,5	24		20	18 x 8	285 (DN150)	190	240	200	220	180	140	181	F07	17	90	12	70	55 x 4	9 x 4	325	245	1/2"		85	33,80	163050665410	
125	245	10	100	150	330	26		22	18 x 8	340 (DN200)	215	295	240	250	210	153	205	F10	22	120	12	102	70 x 4	11 x 4	483	286	1/2"		130	57	163050666810	



POS.	Denomination	PCS	MAT.
1	Body	1	AISI 316L
2	Ball	1	AISI 316L
3	Sleeve	1	AISI 316L
3a	Flange	1	AISI 316L
4	Stem	1	AISI 316L
5	Ball Seals	2	PTFE
6	Sleeve Seals	1	PTFE
7	Stem Seal	1	PTFE
8	Stem Seal	1	PTFE
9	Stem sealing O-Ring	1	FKM (a richiesta EPDM)
10	Register ring	1	AISI 304L (303)
11	Locknut	1	AISI 303
12	Sleeve screw	6	AISI 304L
13	Lever	1	AISI 304L
14	Handle	1	DUROPLASTO (PF)
15	Lever screw	1	AISI 304L
16	Stop lever screw	4	AISI 304L
17	Stop lever bolts	4	AISI 304L
18	Counterflange	1	AISI 316L
19	Flanges Seal	1	PTFE
20	Counterflange O-Ring	1	FKM (a richiesta EPDM)

