

163030 INTEGRAL SEALS_TANK SIDE FLANGE FIXED UNI EN 1092 AND CLAMP DIN32676 TAB.4 REIHE C ON OUTPUT SIDE



TWO-way ball valve STEM BENT BOTTOM with "INTEGRAL SEAL"

Use: Valve for tank bottom

Antistatic device ATEX:

II 2G Ex h IIC T4 Gb

II 2D Ex h IIIC T135°C Db

Drive: ISO 5211 - DIN 3337 flange for actuator

Connections: Tank side flange fixed UNI EN 1092 and CLAMP DIN 33676 Tab.4 Reihe C on output side

Flow: Full

Material: Aisi 316L (1.4404)

Measure: from DN40 to DN120

Seals: Virgin P.T.F.E.

Operating temperature: -20°C+160°C

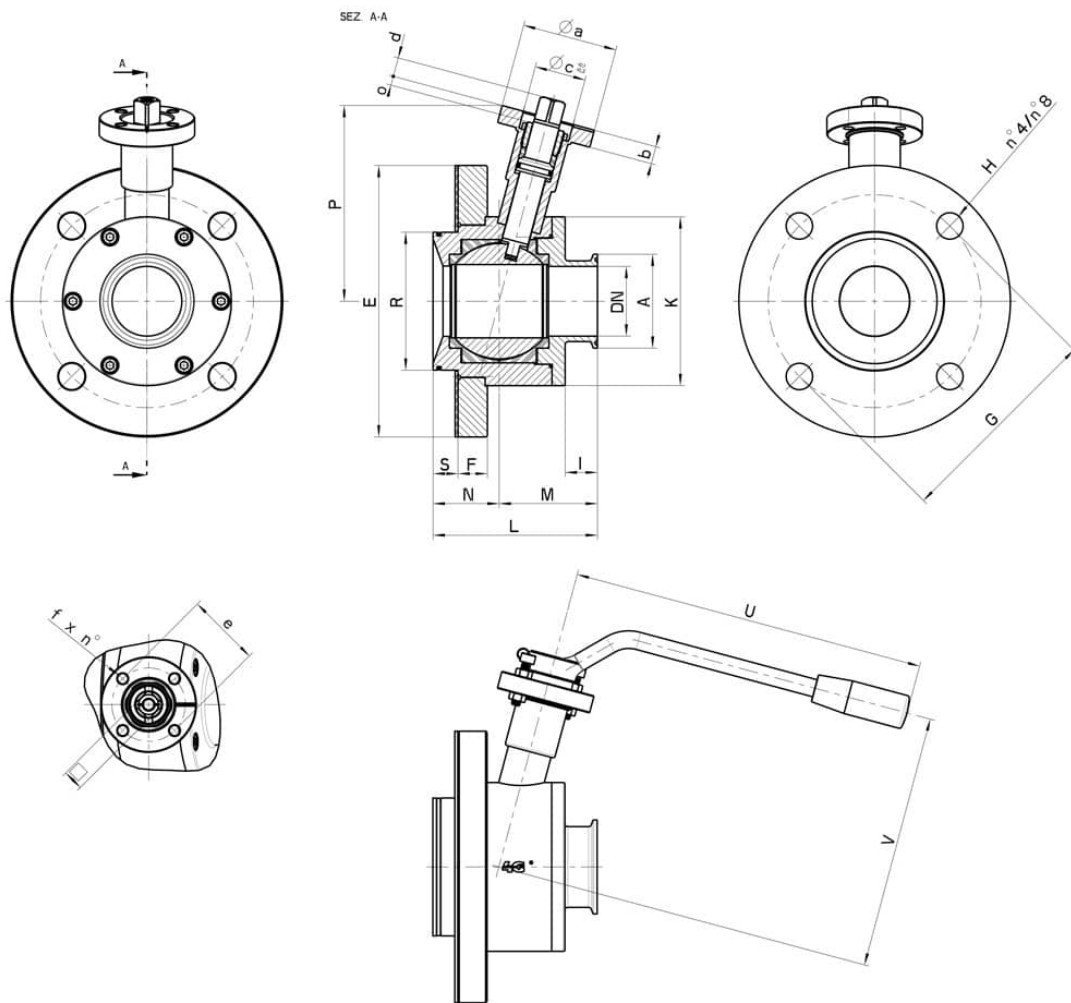
Outer finish: Polished

Screws for mounting actuator included

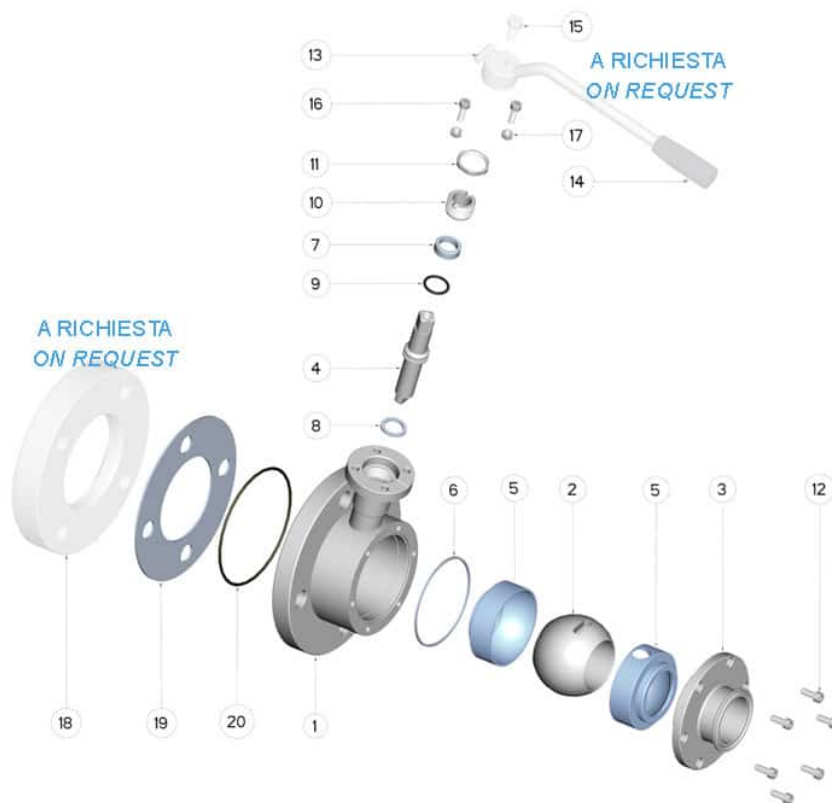
On request:

M.O.C.A. CE 1935/2004

- MANUAL with LEVER Kit
- Counterflanges for Tank



CLAMP	DN	L	PN	N	M	S	F	Ø E (Flange-DN)	Ø R	Ø G	Ø H x n°	K	P	ISO 5211	□	Ø a	b	Ø e	Ø c x o	d	Ø f x n°	U	V	Nm	Kg	CODE AISI 316L
1 1/2"	40	108	16	45	63	17	20	165 (DN50)	84	125	18 x 4	100	127	F05	14	65	12	50	35 x 3	13	7 x 4	240	178	32	6,42	163030A63410
2"	50	112	16	45	67	17	20	185 (DN65)	94	145	18 x 4	115	133	F05	14	65	12	50	35 x 3	13	7 x 4	240	185	37	7,94	163030A63810
2 1/2"	65	134	16	53	81	17,5	20	200 (DN80)	119	160	18 x 8	140	157	F07	17	90	12	70	55 x 4	15	9 x 4	270	215	60	11,80	163030A64410
3"	80	156	16	65	91	19,5	22	220 (DN100)	138	180	18 x 8	155	168	F07	17	90	12	70	55 x 4	15	9 x 4	300	225	75	15,55	163030A64810
4"	100	172	16	75	97	27,5	22	250 (DN125)	165	210	18 x 8	185	180	F07	17	90	12	70	55 x 4	17	9 x 4	325	245	85	22,62	163030A65410
6"	125	220	16	95	125	26,5	24	285 (DN150)	190	240	18 x 8	220	205	F10	22	120	12	102	70 x 4	19	11 x 4	483	286	130	37,70	163030A65910



POS.	Denomination	PCS	MAT.
1	Body	1	AISI 316L
2	Ball	1	AISI 316L
3	Sleeve	1	AISI 316L
4	Stem	1	AISI 316L
5	Ball Seals	2	PTFE
6	Sleeve Seal	1	PTFE
7	Stem Seal	1	PTFE
8	Stem Seal	1	PTFE
9	Stem sealing O-Ring	1	FKM (a richiesta EPDM)
10	Register ring	1	AISI 304L (303)
11	Locknut	1	AISI 303
12	Sleeve screw	6	AISI 304L
13	Lever	1	AISI 304L
14	Handle	1	DUROPLAST (PF)
15	Lever screw	1	AISI 304L
16	Stop lever screw	2	AISI 304L
17	Stop lever bolts	2	AISI 304L
18	Counterflange	1	AISI 316L
19	Flanges Seal	1	PTFE
20	Counterflange O-Ring	1	FKM (a richiesta EPDM)

