

## 163025E\_HEATING JACKET\_INTEGRAL SEALS\_TANK SIDE FLANGE FIXED UNI EN 1092 AND DIN 11851 FEMALE ON OUTPUT SIDE



TWO-way ball valve STEM BENT BOTTOM with "INTEGRAL SEAL" with HEATING JACKET

Use: Valve for tank bottom

Antistatic device ATEX:

II 2G Ex h IIC T4 Gb

II 2D Ex h IIIC T135°C Db

Drive: ISO 5211 - DIN 3337 flange for actuator

Connections: Tank side flange fixed UNI EN 1092 and DIN 11851 Female on output side

Flow: Full

Material: Aisi 316L (1.4404)

Measure: from DN40 to DN125

Seals: Virgin P.T.F.E.

Operating temperature: -20°C+160°C

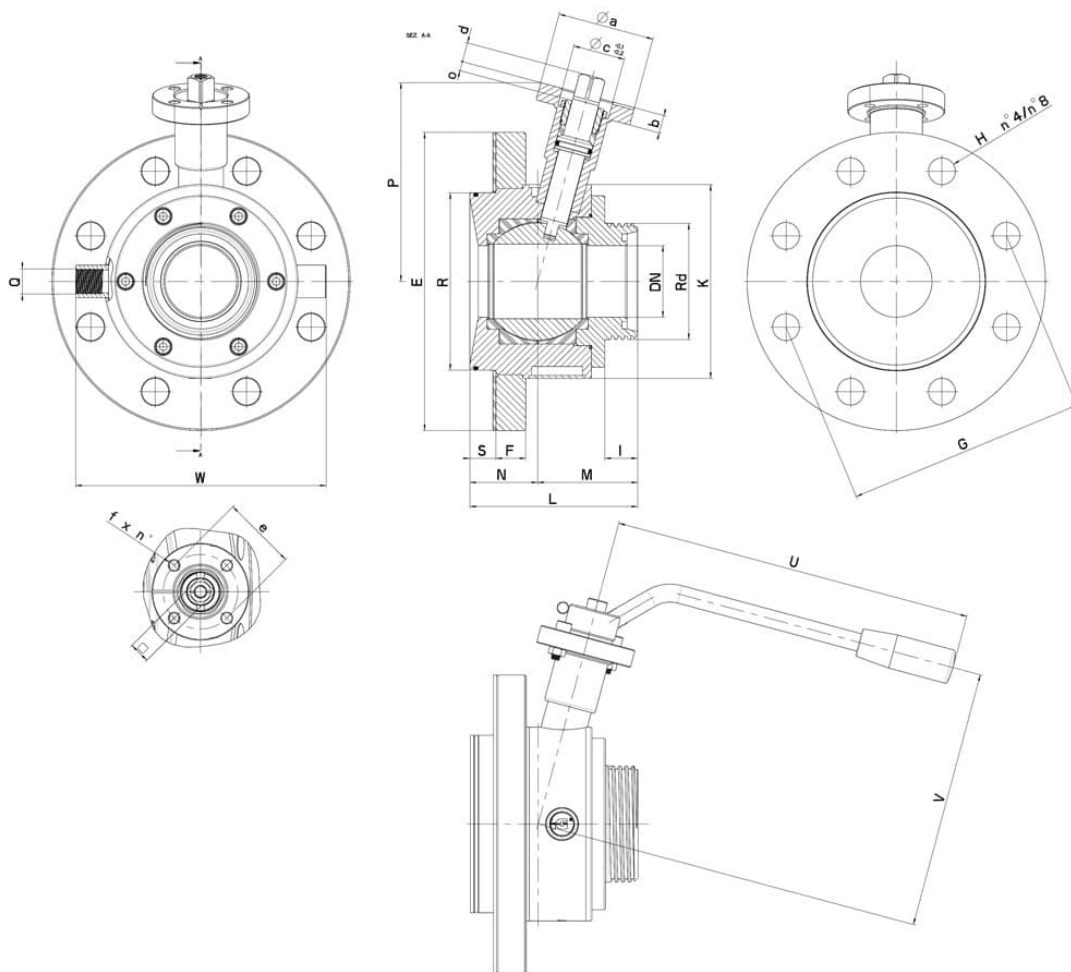
Outer finish: Polished

Screws for mounting actuator included

On request:

M.O.C.A. CE 1935/2004

- MANUAL with LEVER Kit
- Counterflanges for Tank



Rd	DN-DIN 11851	L	PN	N	M	S	F	Ø E (Flangia- DN)	Ø R	Ø G	Ø H x n°	K	Q (connessione camicia ISO 228 F)	W	Nm	Kg	CODE AISI 316L
65 x 1/6"	40	108	16	45	63	17	20	185 (DN65)	94	145	18 x 4	115	3/8"		32	7,96	163025E63410
78 x 1/6"	50	112	16	45,5	67	17,5	20	200 (DN80)	119	160	18 x 8	130	3/8"	168	37	9,65	163025E63810
95 x 1/6"	65	134	16	57	81	19,5	22	220 (DN100)	138	180	18 x 8	150	1/2"		60	14,89	163025E64410
110 x 1/4"	80	156	16	73	91	27,5	22	250 (DN125)	165	210	18 x 8	180	1/2"		75	21,83	163025E64810
130 x 1/4"	100	172	16	77	97	26,5	24	285 (DN150)	190	240	22 x 8	200	1/2"		85	28,80	163025E65410
160 x 1/4"	125	220	10	100	125	30	26	340 (DN200)	215	295	22 x 8	240	1/2"		130	50,60	163025E65810

