

## 163001E\_HEATING JACKET\_INTEGRAL SEALS - TANK SIDE FLANGE FIXED UNI EN 1092 AND ISO 228 FEMALE ON OUTPUT SIDE



TWO-way ball valve STEM BENT BOTTOM with "INTEGRAL SEAL" with HEATING JACKET

Use: Valve for tank bottom

Antistatic device ATEX:

II 2G Ex h IIC T4 Gb

II 2D Ex h IIIC T135°C Db

Drive: ISO 5211 - DIN 3337 flange for actuator

Connections: Tank side flange fixed UNI EN 1092 and ISO 228 Female on output side

Flow: Full

Material: Aisi 316L (1.4404)

Measure: from DN40 to DN125

Seals: Virgin P.T.F.E.

Operating temperature: -20°C+160°C

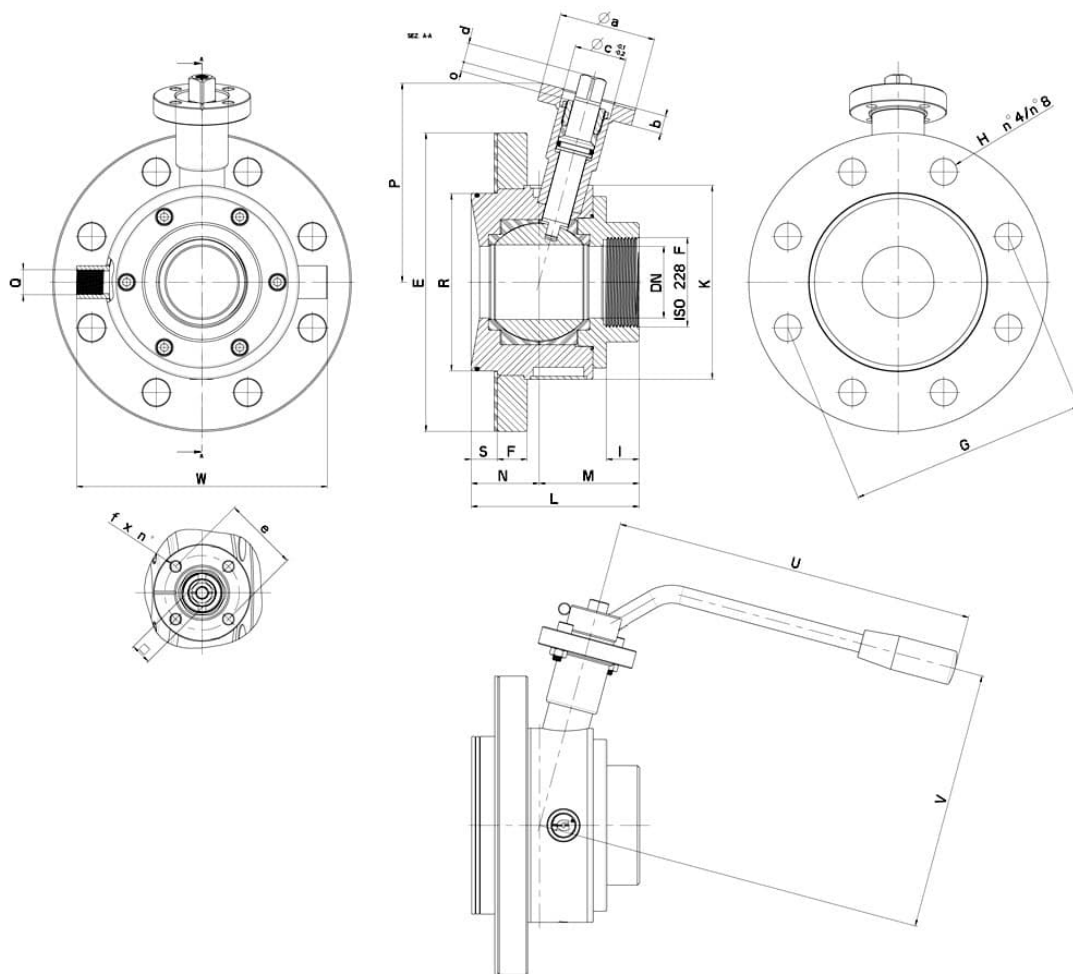
Outer finish: Polished

Screws for mounting actuator included

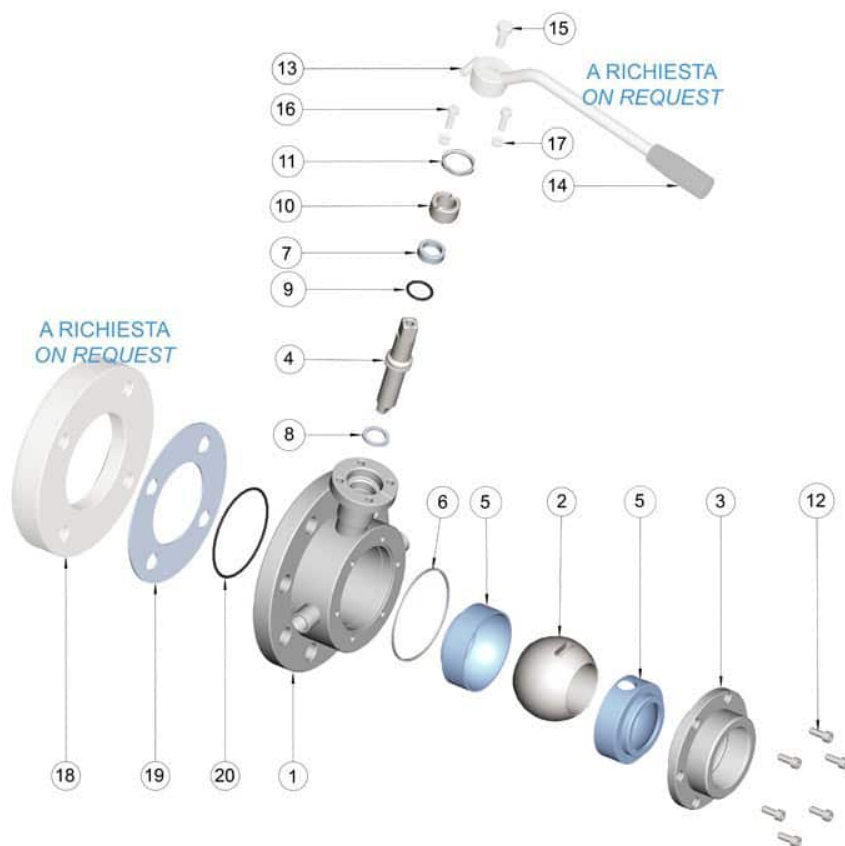
On request:

M.O.C.A. CE 1935/2004

- MANUAL with LEVER Kit
- Counterflanges for Tank



ISO 228 F	DN	L	PN	N	M	S	F	Ø E (Flangia-DN)	Ø R	Ø G	Ø H x n°	K	Q (connessione camicia ISO 228 F)	W	Nm	Kg	CODE AISI 316L
1"1/2	40	108	16	45	63	17	20	185 (DN65)	94	145	18 x 4	115	3/8"		32	8,00	163001E63410
2"	50	112	16	45,5	67	17,5	20	200 (DN80)	119	160	18 x 8	130	3/8"	168	37	9,70	163001E63810
2"1/2	65	134	16	57	81	19,5	22	220 (DN100)	138	180	18 x 8	150	1/2"		60	14,92	163001E64410
3"	80	156	16	73	91	27,5	22	250 (DN125)	165	210	18 x 8	180	1/2"		75	21,90	163001E64810
4"	100	172	16	77	97	26,5	24	285 (DN150)	190	240	22 x 8	200	1/2"		85	28,70	163001E65410
5"	125	220	10	100	125	30	26	340 (DN200)	215	295	22 x 8	240	1/2"		130	50,80	163001E65810



POS.	Denomination	PCS	MAT.
1	Body	1	AISI 316L
2	Ball	1	AISI 316L
3	Sleeve	1	AISI 316L
4	Stem	1	AISI 316L
5	Ball Seals	2	PTFE
6	Sleeve Seal	1	PTFE
7	Stem Seal	1	PTFE
8	Stem Seal	1	PTFE
9	Stem sealing O-Ring	1	FKM (a richiesta EPDM)
10	Register ring	1	AISI 304L (303)
11	Locknut	1	AISI 303
12	Sleeve screw	6	AISI 304L
13	Lever	1	AISI 304L
14	Handle	1	DUROPLAST (PF)
15	Lever screw	1	AISI 304L
16	Stop lever screw	2	AISI 304L
17	Stop lever bolts	2	AISI 304L
18	Counterflange	1	AISI 316L
19	Flanges Seal	1	PTFE
20	Counterflange O-Ring	1	FKM (a richiesta EPDM)

