

## 153050E\_HEATING JACKET\_STANDARD SEALS FLANGES - UNI EN 1092-1



TWO-way ball valve STEM BENT BOTTOM with "STANDARD SEAL" with HEATING JACKET

Use: Valve for tank bottom

Antistatic device ATEX:

II 2G Ex h IIC T4 Gb

II 2D Ex h IIIC T135°C Db

Drive: ISO 5211 - DIN 3337 flange for actuator

Connections: Flange-Flange, tank side flange fixed and revolving threaded flange according to UNI EN 1092-1 on outlet side

Flow: Full

Material: Aisi 316L (1.4404)

Measure: from DN40 to DN125

Seals: Modified Virgin P.T.F.E.

Operating temperature: -20°C+170°C

Outer finish: Polished

Screws for mounting actuator included

On request:

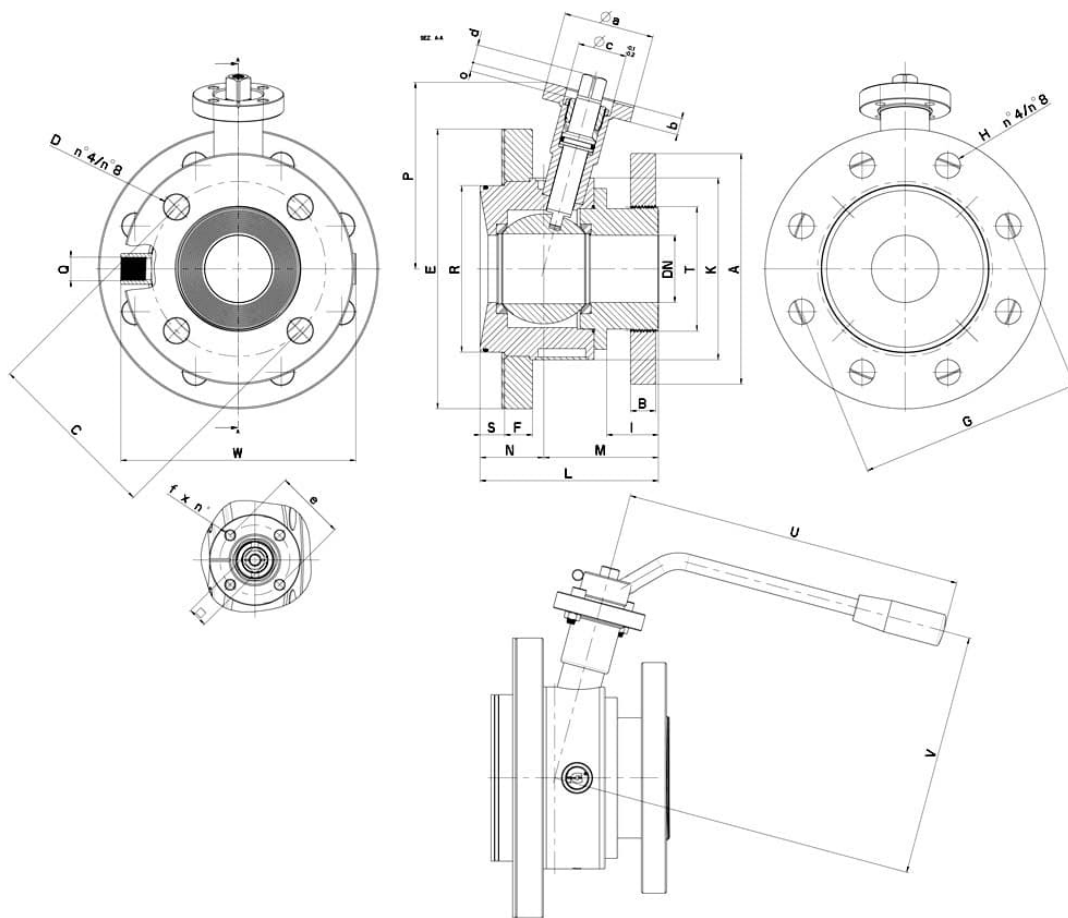
M.O.C.A. CE 1935/2004

• Seals made of:

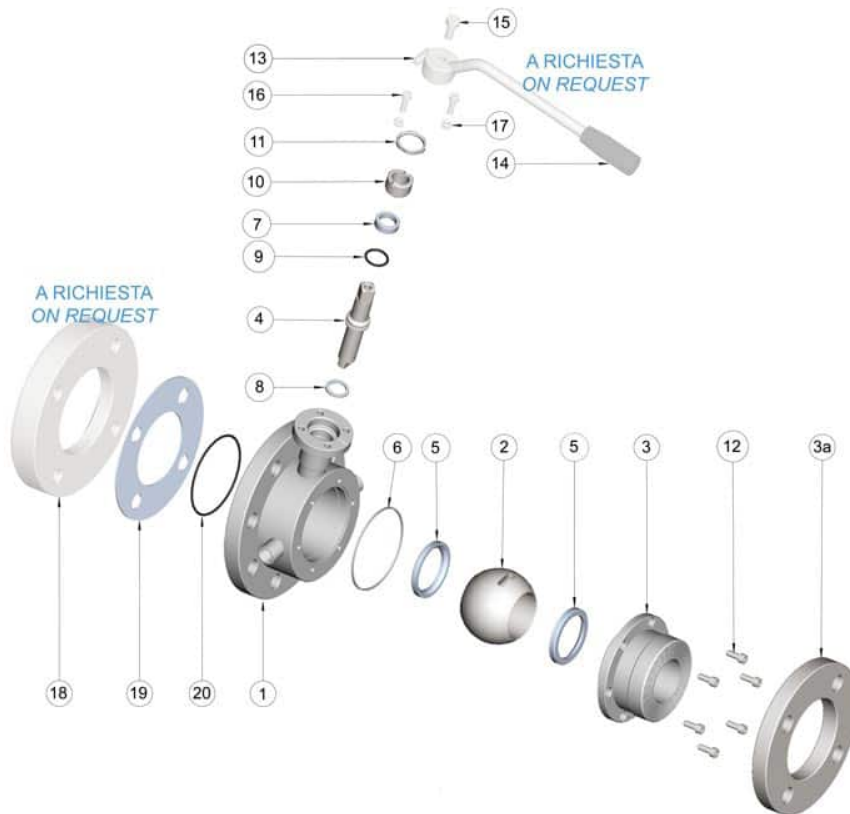
PTFE with inox -20°C+200°C

• MANUAL with LEVER Kit

• Counterflanges for Tank



DN	L	PN	N	M	S	F	I	B	ØD x n°	Ø E (Flangia-ØU)	Ø R	Ø G	K	Ø A	Ø C	Ø T	P	ISO 5211	□	Ø a	b	Ø e	Ø c x o	d	Ø f x n°	U	V	Q (connessione cartrica ISO 7239)	W	mm	kg	CODE AISI 316L
40	122	16	45	77	17	20	36	16	18x4	185 (DN65)	94	145	115	150	110	75	126	F05	14	65	12	50	35x3	13	7x4	240	178	3/8"	154	32	10,00	153050663410
50	127	16	45,5	82	17,5	20	37	18	18x4	200 (DN80)	119	160	130	165	125	89	132	F05	14	65	12	50	35x3	13	7x4	240	185	3/8"	168	37	12,52	153050663810
65	149	16	57	96	19,5	22	40	18	18x4	220 (DN100)	138	180	150	185	145	110	156	F07	17	90	12	70	55x4	15	9x4	270	215	1/2"	188	60	18,63	153050664410
80	166	16	73	101	21,5	22	40	18	18x8	250 (DN125)	165	210	180	200	160	120	167	F07	17	90	12	70	55x4	15	9x4	300	225	1/2"	218	75	25,60	153050664810
100	186	16	77	111	26,5	24	47	20	18x8	285 (DN150)	190	240	200	220	180	140	181	F07	17	90	12	70	55x4	17	9x4	325	245	1/2"	238	85	33,80	153050665410
125	245	10	100	150	330	26	60,5	22	18x8	340 (DN200)	215	295	240	250	210	153	205	F10	22	120	12	102	70x4	19	11x4	483	286	1/2"	279	130	57,00	153050665810



POS.	Denomination	PCS	MAT.
1	Body	1	AISI 316L
2	Ball	1	AISI 316L
3	Sleeve	1	AISI 316L
3a	Flange	1	AISI (304L) 316L
4	Stem	1	AISI 316L
5	Ball Seals	2	PTFE
6	Sleeve Seal	1	PTFE
7	Stem Seal	1	PTFE
8	Stem Seal	1	PTFE
9	Stem sealing O-Ring	1	FKM (a richiesta EPDM)
10	Register ring	1	AISI 304L (303)
11	Locknut	1	AISI 303
12	Sleeve screw	6	AISI 304L
13	Lever	1	AISI 304L
14	Handle	1	DUROPLAST (PF)
15	Lever screw	1	AISI 304L
16	Stop lever screw	2	AISI 304L
17	Stop lever bolts	2	AISI 304L
18	Counterflange	1	AISI 316L
19	Flanges Seal	1	PTFE
20	Counterflange O-Ring	1	FKM (a richiesta EPDM)

