

153050 STANDARD SEALS_FLANGES UNI EN 1092-1



TWO way ball valve STEM BENT BOTTOM with "STANDARD SEAL"

Use: Valve for tank bottom

Antistatic device ATEX:

II 2G Ex h IIC T4 Gb

II 2D Ex h IIIC T135°C Db

Drive: ISO 5211 - DIN 3337 flange for actuator

Connections: Flange-Flange, tank side flange fixed and revolving threaded flange according to UNI EN 1092-1 on outlet side

Flow: Full

Material: Aisi 316L (1.4404)

Measure: from DN40 to DN125

Seals: Modified Virgin P.T.F.E.

Operating temperature: -20°C+170°C

Outer finish: Polished

Screws for mounting actuator included

On request:

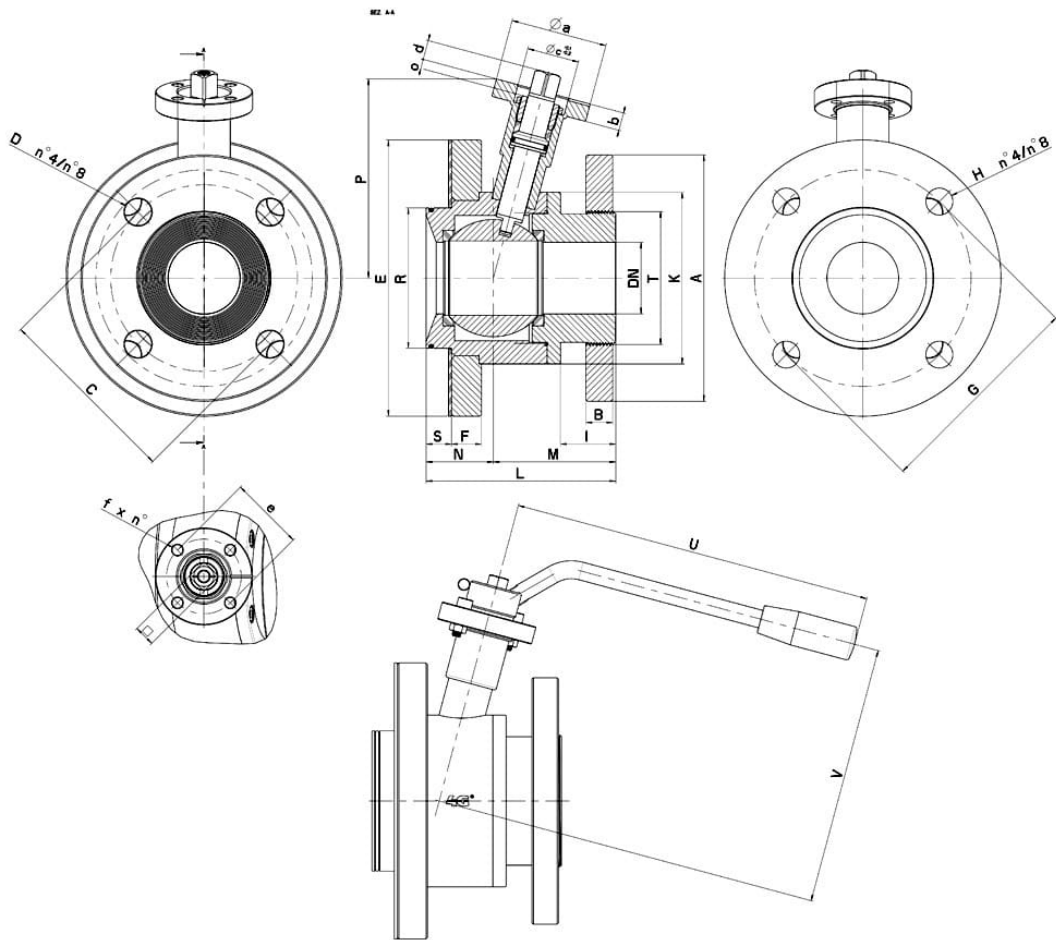
M.O.C.A. CE 1935/2004

• Seals made of:

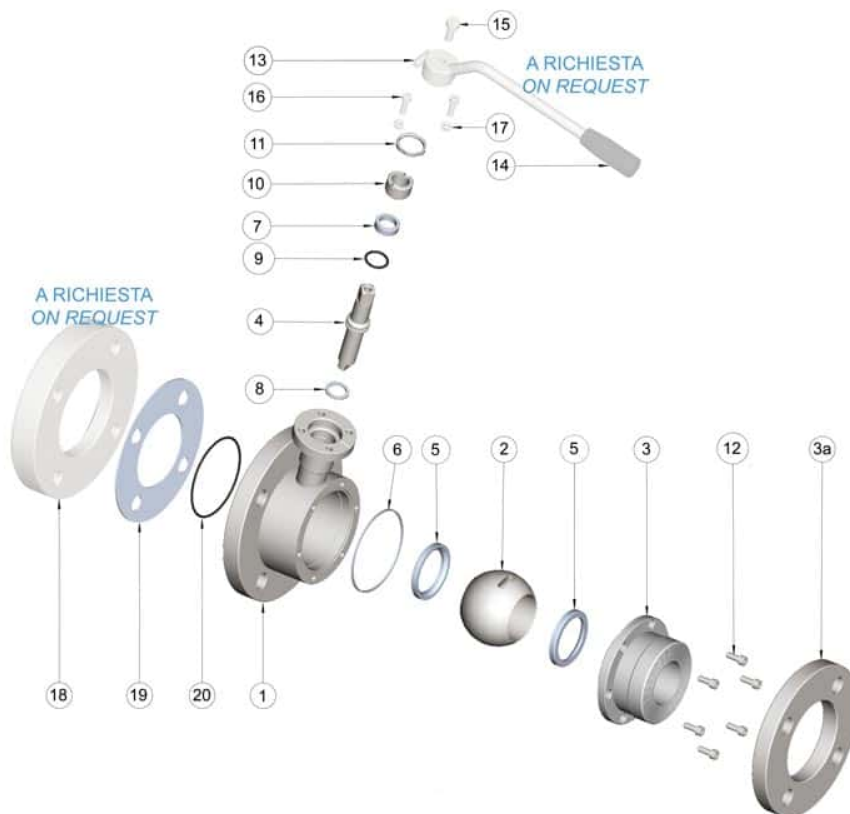
PTFE with inox -20°C+200°C

• MANUAL with LEVER Kit

• Counterflanges for Tank



DN	L	PN	N	M	S	F	I	B	Ø D x H	Ø E (flange Ø)	Ø R	Ø G	K	Ø A	Ø C	Ø T	P	ISO 5211	□	Ø a	b	Ø e	Ø c x o	d	Ø f x n°	U	V	Nm	Kg	CODE AISI 316L
40	122	16	45	77	17	20	36	16	18 x 4	165 (DN50)	84	125	115	150	110	75	126	F05	14	65	12	50	35 x 3	13	7 x 4	240	178	32	8,5	153050463410
50	127	16	45	82	17	20	37	18	18 x 4	185 (DN65)	94	145	115	165	125	89	132	F05	14	65	12	50	35 x 3	13	7 x 4	240	185	37	11,1	153050463810
65	149	16	53	96	17,5	20	40	18	18 x 4	200 (DN80)	119	160	140	185	145	110	156	F07	17	90	12	70	55 x 4	15	9 x 4	270	215	60	15,5	153050464410
80	166	16	65	101	19,5	22	40	18	18 x 8	220 (DN100)	138	180	155	200	160	120	167	F07	17	90	12	70	55 x 4	15	9 x 4	300	225	75	19,95	153050464810
100	186	16	75	111	27,5	22	47	20	18 x 8	250 (DN125)	165	210	185	220	180	140	181	F07	17	90	12	70	55 x 4	17	9 x 4	325	245	85	28	153050465410
125	245	10	95	150	26,5	24	60,5	22	18 x 8	285 (DN150)	190	240	220	250	210	153	205	F10	22	120	12	102	70 x 4	19	11 x 4	483	286	130	45,3	153050465810



POS.	Denomination	PCS	MAT.
1	Body	1	AISI 316L
2	Ball	1	AISI 316L
3	Sleeve	1	AISI 316L
3a	Flange	1	AISI (304L) 316L
4	Stem	1	AISI 316L
5	Ball Seals	2	PTFE
6	Sleeve Seal	1	PTFE
7	Stem Seal	1	PTFE
8	Stem Seal	1	PTFE
9	Stem sealing O-Ring	1	FKM (a richiesta EPDM)
10	Register ring	1	AISI 304L (303)
11	Locknut	1	AISI 303
12	Sleeve screw	6	AISI 304L
13	Lever	1	AISI 304L
14	Handle	1	DUROPLAST (PF)
15	Lever screw	1	AISI 304L
16	Stop lever screw	2	AISI 304L
17	Stop lever bolts	2	AISI 304L
18	Counterflange	1	AISI 316L
19	Flanges Seal	1	PTFE
20	Counterflange O-Ring	1	FKM (a richiesta EPDM)

