

153025 STANDARD SEALS_TANK SIDE FLANGE FIXED UNI EN 1092 AND DIN 11851 FEMALE ON OUTPUT SIDE



TWO-way ball valve STEM BENT BOTTOM with "STANDARD SEAL"

Use: Valve for tank bottom

Antistatic device ATEX:

II 2G Ex h IIC T4 Gb

II 2D Ex h IIIC T135°C Db

Drive: ISO 5211 - DIN 3337 flange for actuator

Connections: Tank side flange fixed UNI EN 1092 and DIN 11851 Female on output side

Flow: Full

Material: Aisi 316L (1.4404)

Measure: from DN40 to DN125

Seals: Modified Virgin P.T.F.E.

Operating temperature: -20°C+170°C

Outer finish: Polished

Screws for mounting actuator included

On request:

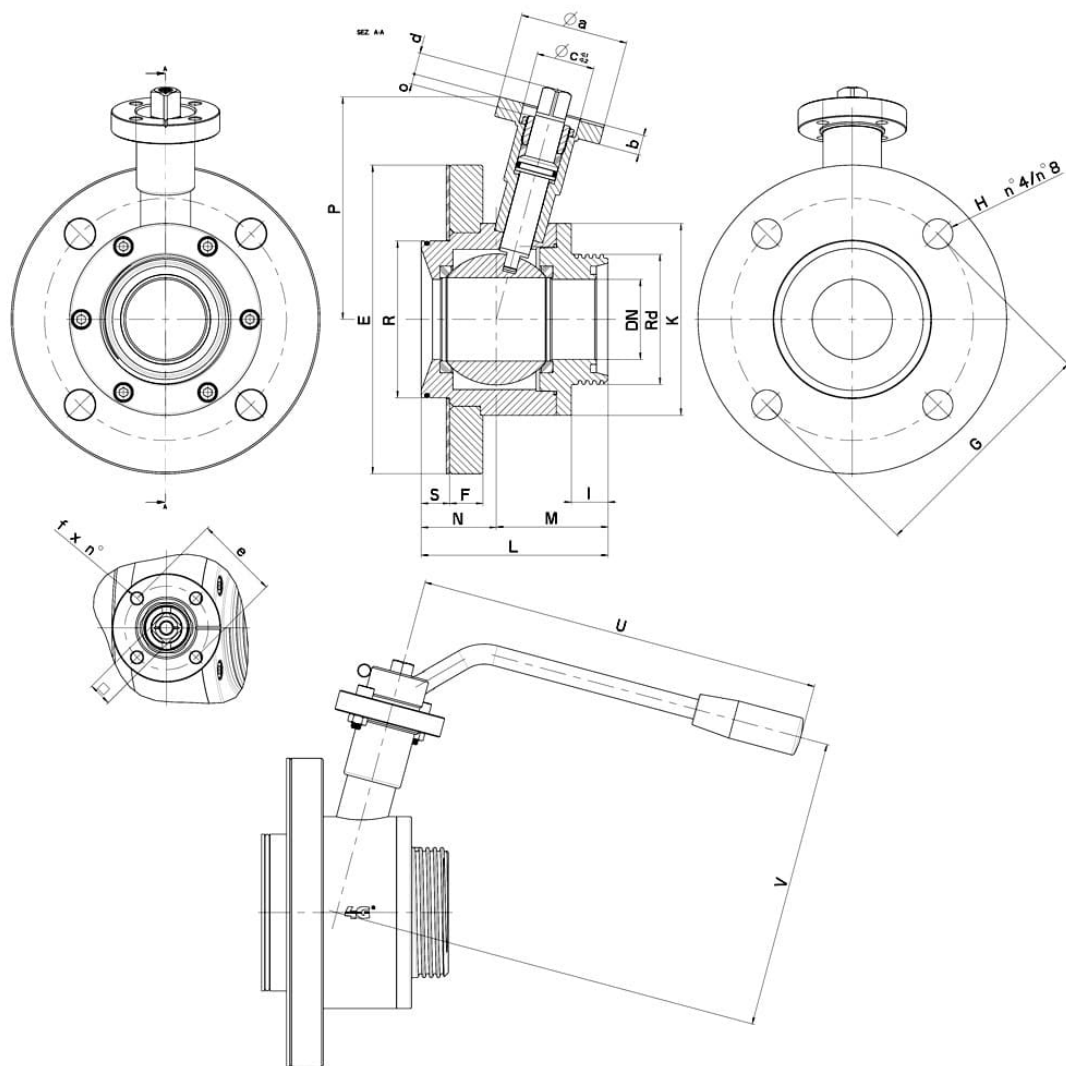
M.O.C.A. CE 1935/2004

• Seals made of:

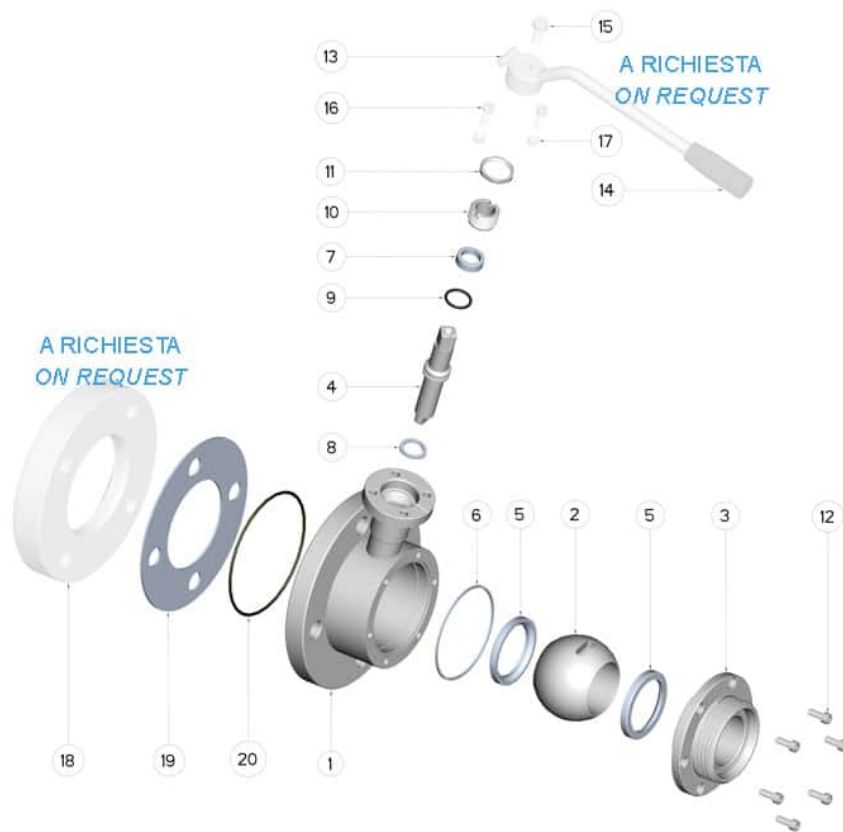
PTFE with inox -20°C+200°C

• MANUAL with LEVER Kit

• Counterflanges for Tank



| Rd | DN-DIN 11951 | L | PN | N | M | S | F | I | Ø E (Flangia- DN) | Ø R | Ø G | Ø H x r | Ø K | P | ISO 5211 | □ | Ø a | b | Ø e | Ø c x o | d | Ø f x n* | U | V | Nm | Kg | CODE AISI 316L |
|------------------|-----------------|-----|----|----|-----|------|----|------|----------------------|-----|-----|--------------|-----|-----|----------|----|-----|----|-----|--------------|----|--------------|-----|-----|-----|-------|----------------|
| 65 x 1/6" | 40 | 108 | 16 | 45 | 63 | 17 | 20 | 22 | 165 (DN50) | 84 | 125 | 18 x 4 | 100 | 127 | F05 | 14 | 65 | 12 | 50 | 35 x 3 | 13 | 7 x 4 | 240 | 178 | 32 | 6,58 | 153025A63410 |
| 78 x 1/6" | 50 | 112 | 16 | 45 | 67 | 17 | 20 | 22 | 185 (DN65) | 94 | 145 | 18 x 4 | 115 | 133 | F05 | 14 | 65 | 12 | 50 | 35 x 3 | 13 | 7 x 4 | 240 | 185 | 37 | 8,15 | 153025A63810 |
| 95 x 1/6" | 65 | 124 | 16 | 53 | 81 | 17,5 | 20 | 25 | 200 (DN80) | 119 | 160 | 18 x 8 | 140 | 157 | F07 | 17 | 90 | 12 | 70 | 55 x 4 | 15 | 9 x 4 | 270 | 215 | 60 | 12,10 | 153025A64410 |
| 110 x 1/4" | 80 | 156 | 16 | 65 | 91 | 19,5 | 22 | 30 | 220 (DN100) | 138 | 180 | 18 x 8 | 155 | 168 | F07 | 17 | 90 | 12 | 70 | 55 x 4 | 15 | 9 x 4 | 300 | 225 | 75 | 16,17 | 153025A64810 |
| 130 x 1/4" | 100 | 172 | 16 | 75 | 97 | 27,5 | 22 | 33 | 250 (DN125) | 165 | 210 | 18 x 8 | 185 | 180 | F07 | 17 | 90 | 12 | 70 | 55 x 4 | 17 | 9 x 4 | 325 | 245 | 85 | 23,00 | 153025A65410 |
| 160 x 1/4" | 125 | 220 | 16 | 95 | 125 | 26,5 | 24 | 35,5 | 285 (DN150) | 190 | 240 | 18 x 8 | 220 | 205 | F10 | 22 | 120 | 12 | 102 | 70 x 4 | 19 | 11 x 4 | 483 | 286 | 130 | 38,90 | 153025A65810 |



| POS. | Denomination | PCS | MAT. |
|------|----------------------|-----|------------------------|
| 1 | Body | 1 | AISI 316L |
| 2 | Ball | 1 | AISI 316L |
| 3 | Sleeve | 1 | AISI 316L |
| 4 | Stem | 1 | AISI 316L |
| 5 | Ball Seals | 2 | PTFE |
| 6 | Sleeve Seal | 1 | PTFE |
| 7 | Stem Seal | 1 | PTFE |
| 8 | Stem Seal | 1 | PTFE |
| 9 | Stem sealing O-Ring | 1 | FKM (a richiesta EPDM) |
| 10 | Register ring | 1 | AISI 304L (303) |
| 11 | Locknut | 1 | AISI 303 |
| 12 | Sleeve screw | 6 | AISI 304L |
| 13 | Lever | 1 | AISI 304L |
| 14 | Handle | 1 | DUROPLAST (PF) |
| 15 | Lever screw | 1 | AISI 304L |
| 16 | Stop lever screw | 2 | AISI 304L |
| 17 | Stop lever bolts | 2 | AISI 304L |
| 18 | Counterflange | 1 | AISI 316L |
| 19 | Flanges Seal | 1 | PTFE |
| 20 | Counterflange O-Ring | 1 | FKM (a richiesta EPDM) |

